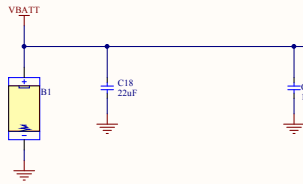
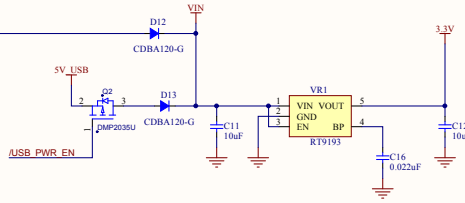


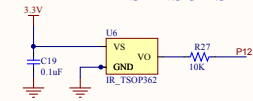
BATTERY POWER



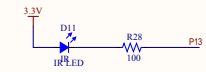
VOLTAGE REGULATOR



IR SENSORS

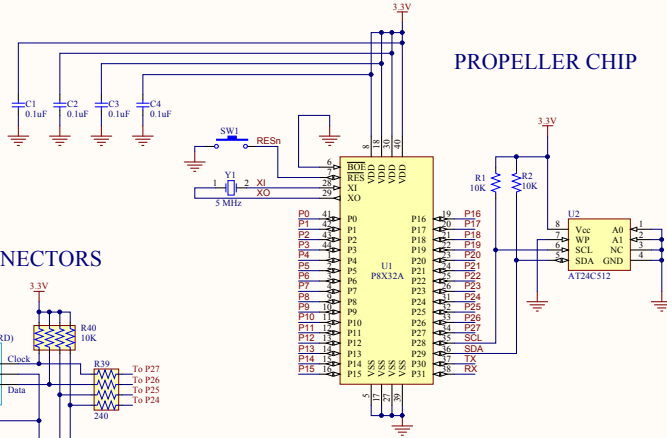


(<5 mA max (Rx) power consumption)

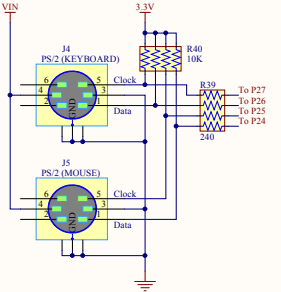


(<50 mA max (Tx) power consumption)

PROPELLER CHIP

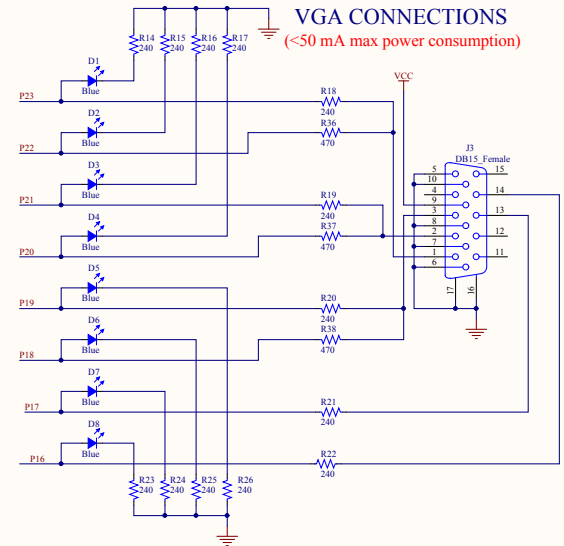


PS/2 CONNECTORS

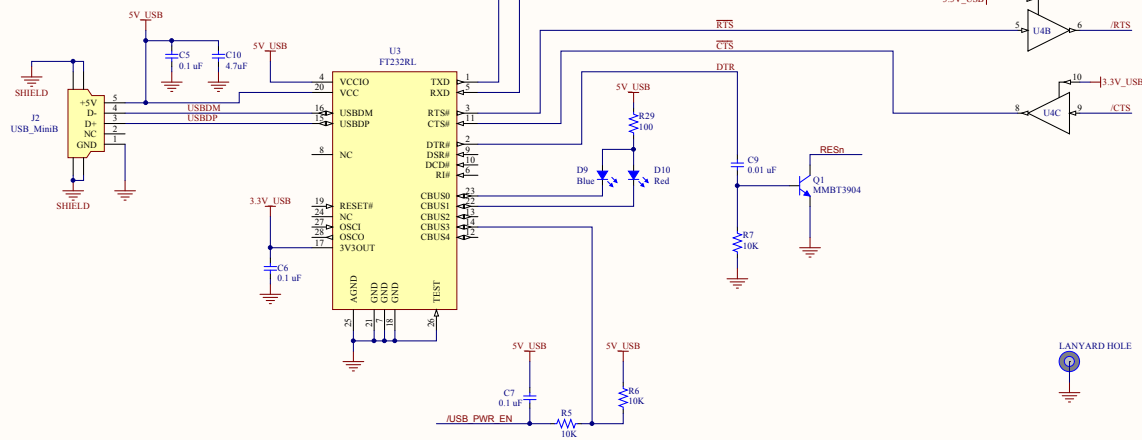


VGA CONNECTIONS

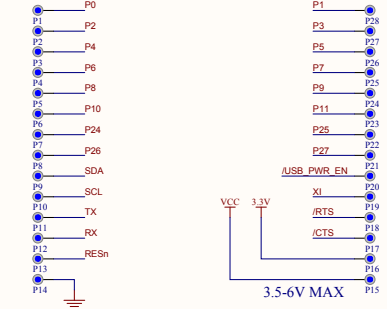
(<50 mA max power consumption)



USB & FTDI CIRCUIT



THROUGH HOLE I/O CONNECTIONS



Title			
SCHEMATIC, DEFCON BADGE 2012			
Size	Number	Revision	
C	50000	A1	
Date:	8/3/2012	Sheet of	
File:	G:\Altium Projects\Defcon 2012\Badge1\Board\Booster Schematic SchDoc		