

6

5

4

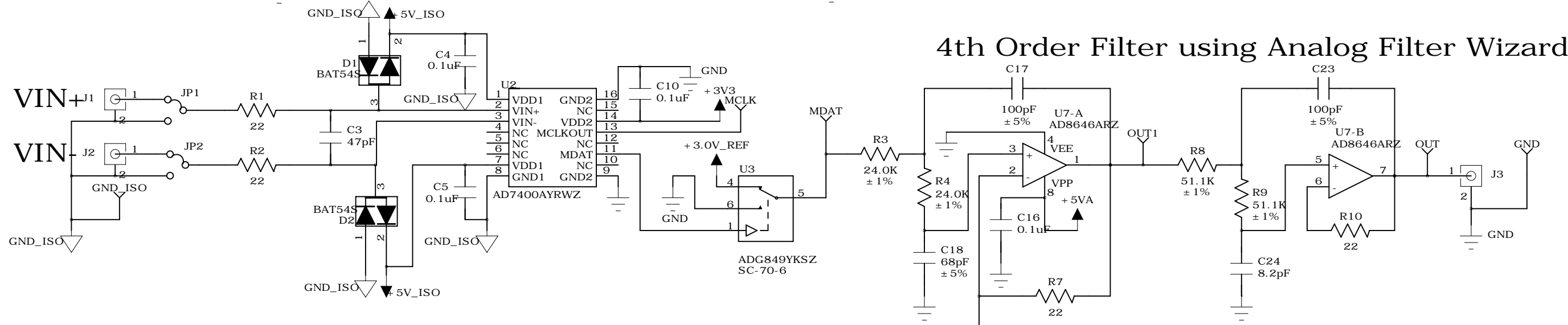
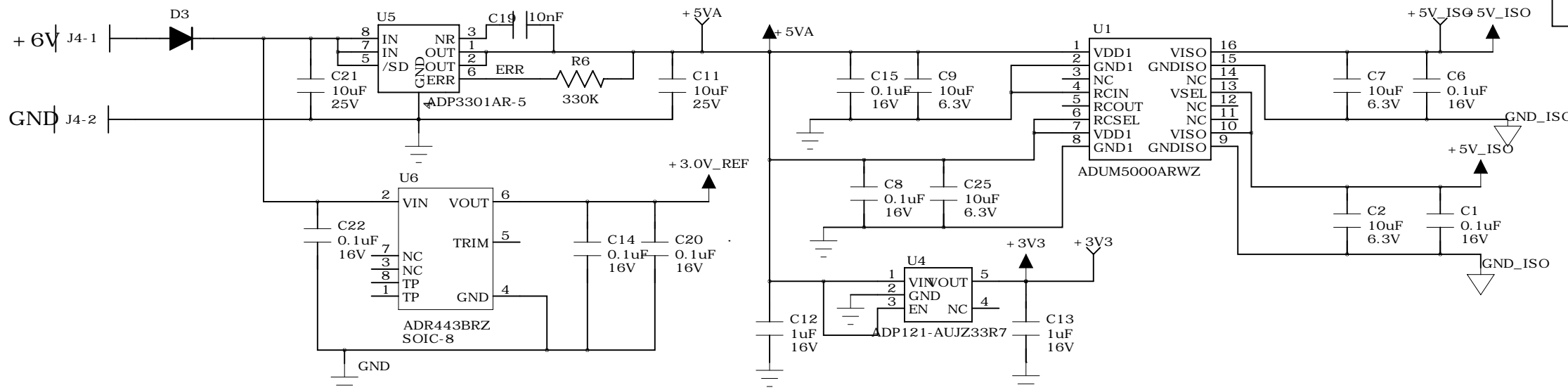
3

2

1

Power Supply for Isolated Side

REVISION RECORD			
LTR	ECO NO:	APPROVED:	DATE:



COMPANY: **Analog Devices Inc.**

TITLE: **Analog Isolator using AD740x**

DRAWN: Michael Hu	DATED: 01/08/2011	CODE: CN-0185	SIZE: B	DRAWING NO: EVAL-CN0185-EB1Z	REV: A
CHECKED:	DATED:	SCALE: 1:1			SHEET: 1 OF 1
QUALITY CONTROL:	DATED:				
RELEASED: James Fitzgerald	DATED: 08/07/2013				

D

D

C

C

B

B

A

A