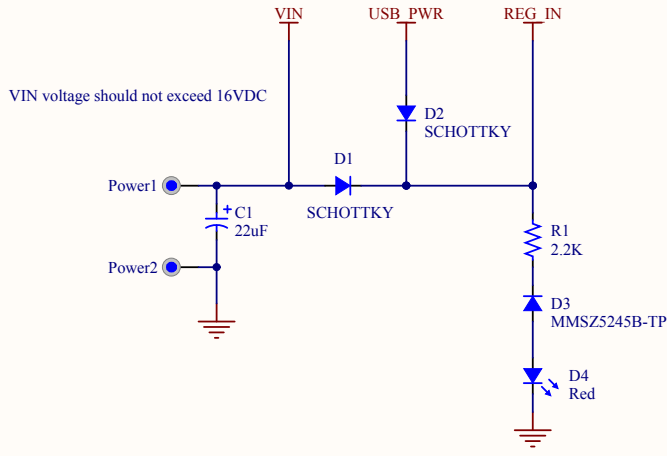
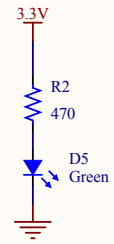


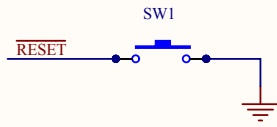
### EXTERNAL POWER CONNECTION (VIN)



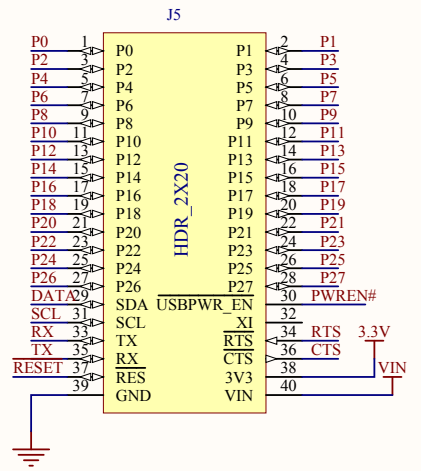
### POWER LED



### RESET SWITCH

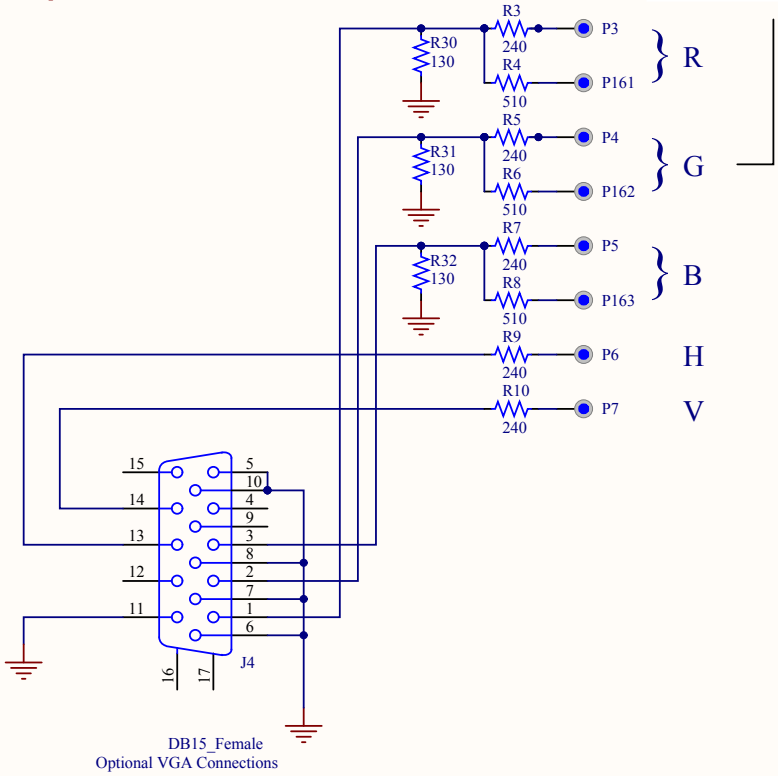


### QUICKSTART HEADER

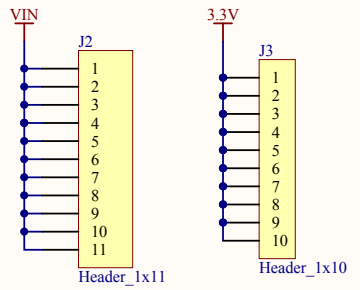


These three sets of two resistors form .7 volt, 75ohm, 2-bit DACs that are used to generate red, green and blue.

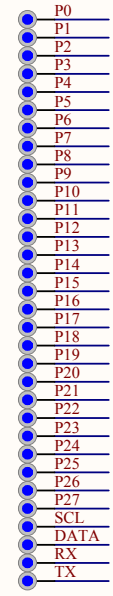
### VGA CONNECTIONS



### VIN & 3.3V HEADERS

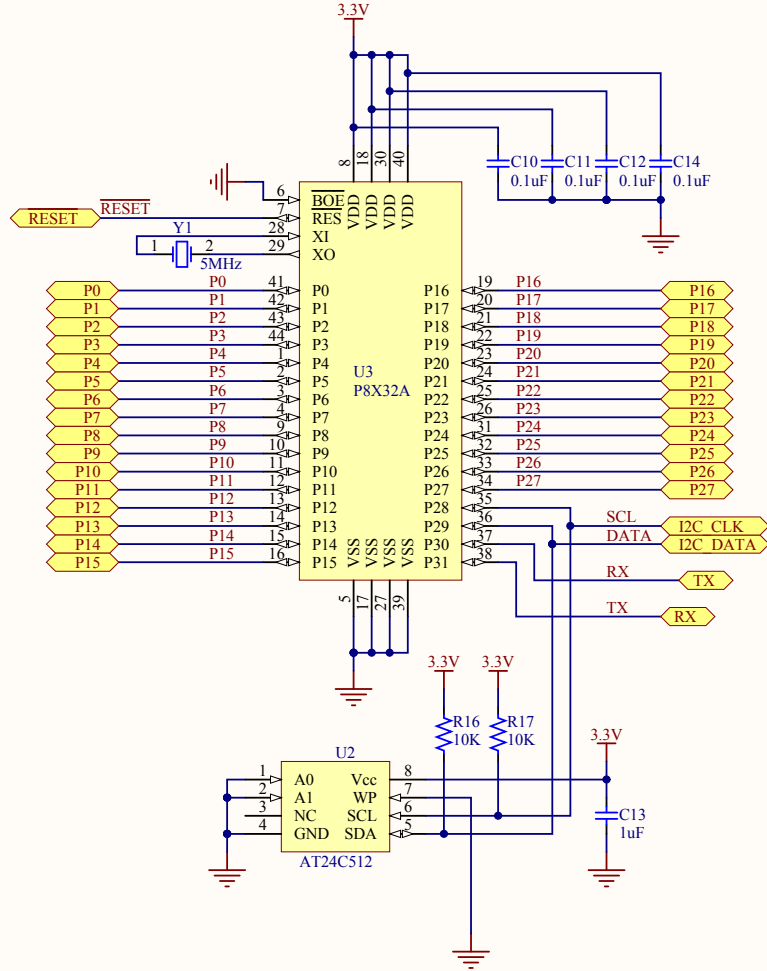


### PROPELLER EXTERNAL I/O



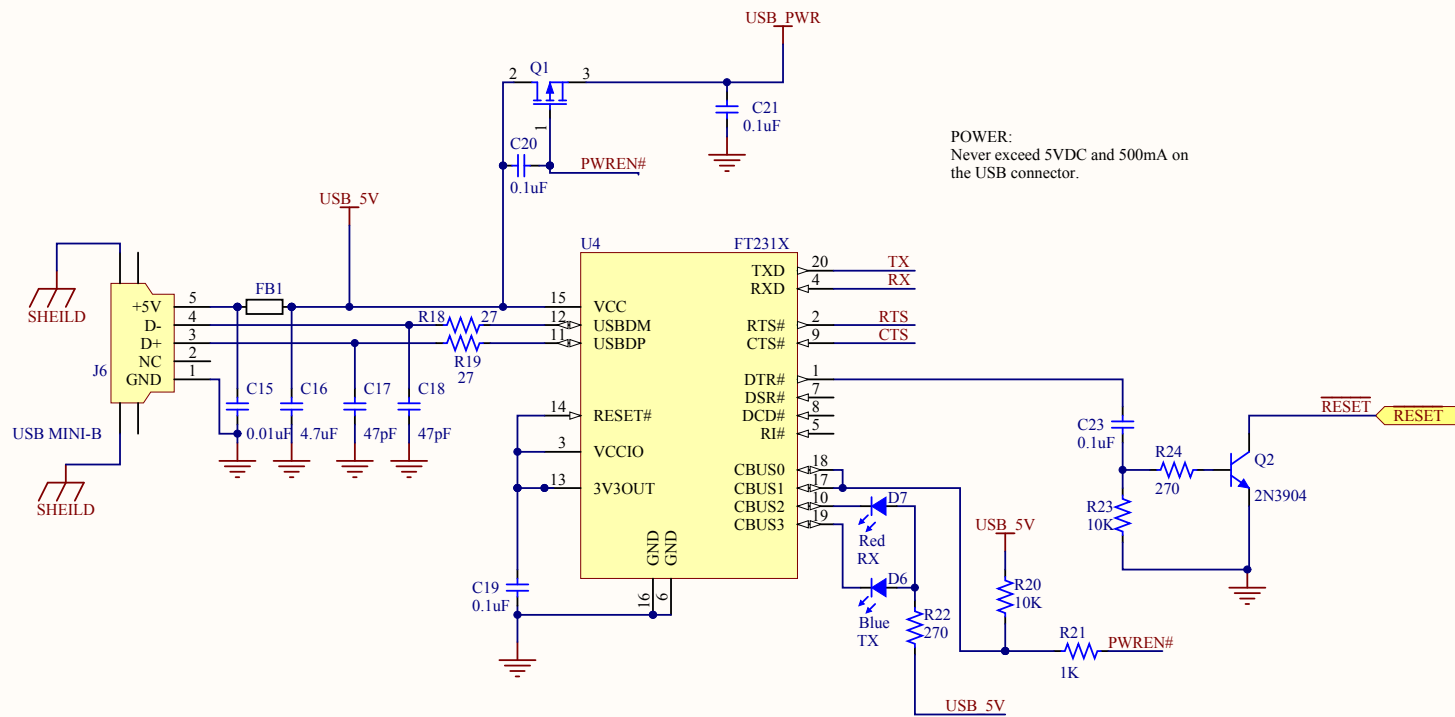
Sheet: <b>Main.SchDoc</b>	Size: <b>Letter</b>
Description: <b>Main Schematic for Propeller Project Board USB</b>	
Project: <b>Propeller Project Board USB</b>	Part #: <b>32810</b>
Rev: <b>C, D</b>	Date: <b>1/19/2016</b>
599 Menlo Drive Rocklin, CA 95765 www.parallax.com	
Sheet <b>1</b> of <b>5</b> Drawn By: <b>C. Kevin</b>	

# Propeller Circuit




Sheet: <b>Propeller.SchDoc</b>		Size: <b>Letter</b>
Description: <b>Schematic, Propeller Circuit</b>		
Project: <b>Propeller Project Board USB</b>	Part #: <b>32810</b>	Rev: <b>C, D</b>
	599 Menlo Drive Rocklin, CA 95765 www.parallax.com	Date: <b>1/19/2016</b>
		Sheet <b>2</b> of <b>5</b>
		Drawn By: <b>C. Kevin</b>

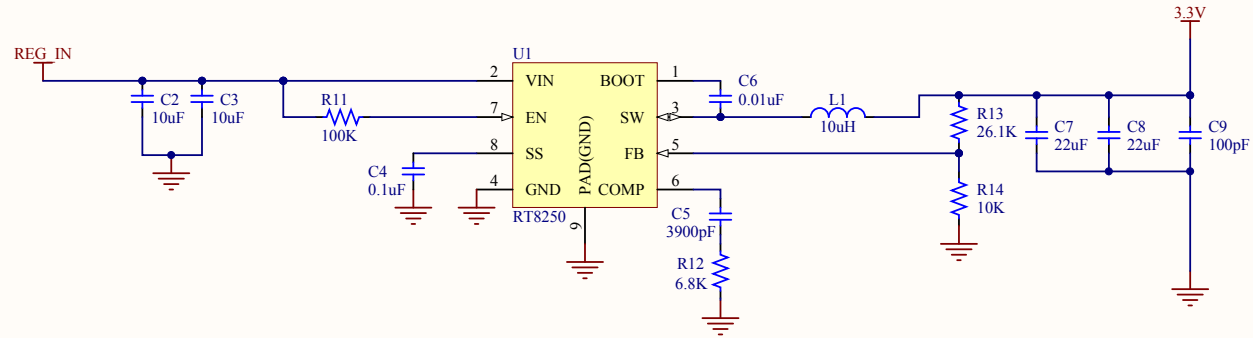
# USB Connection PWR/UART




POWER:  
Never exceed 5VDC and 500mA on the USB connector.

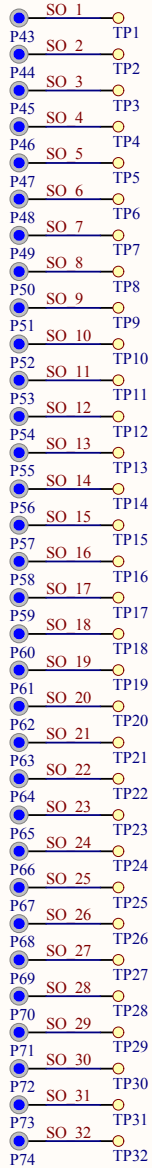
Sheet: <b>USB_FTDI.SchDoc</b>		Size: <b>Letter</b>
Description: <b>Schematic, USB Connection</b>		
Project: <b>Propeller Project Board USB</b>	Part #: <b>32810</b>	Rev: <b>C, D</b>
		599 Menlo Drive Rocklin, CA 95765 www.parallax.com
Date: <b>1/19/2016</b>		Sheet <b>3</b> of <b>5</b>
Drawn By: <b>C. Kevin</b>		

# 3.3V Fixed Switching Regulator

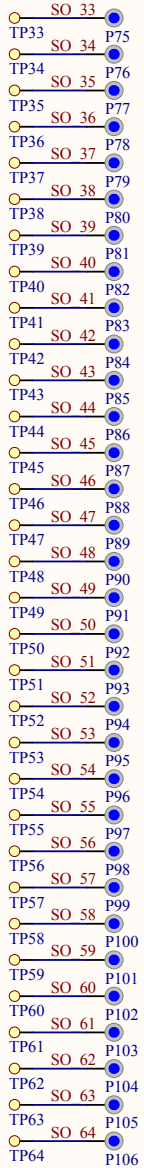


Sheet: <b>3.3V_SWT_REG.SchDoc</b>		Size: <b>Letter</b>
Description: <b>Schematic, 3.3V Regulator</b>		
Project: <b>Propeller Project Board USB</b>	Part #: <b>32810</b>	Rev: <b>C, D</b>
 599 Menlo Drive Rocklin, CA 95765 www.parallax.com		Date: <b>1/19/2016</b> Sheet <b>4</b> of <b>5</b> Drawn By: <b>C. Kevin</b>

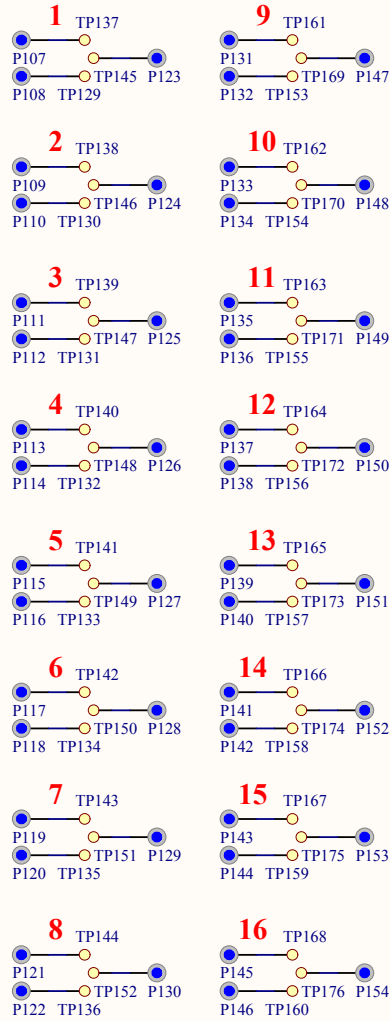
### SO-64 Top



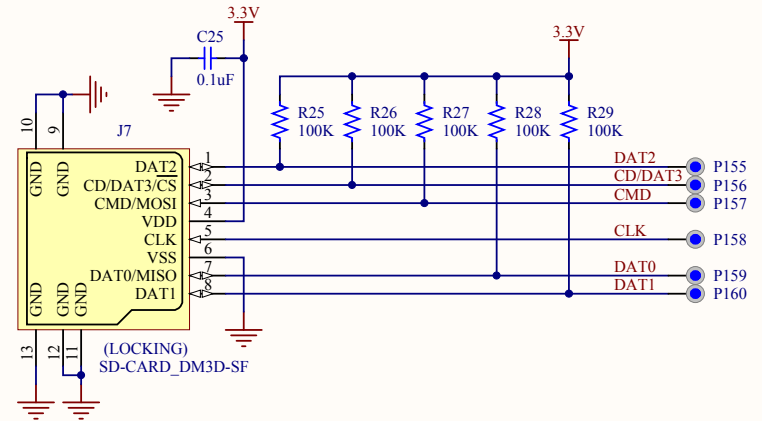
### SO-64 Bottom



### SOT23



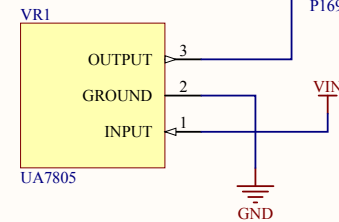
### Micro SD



### 8 PIN Bridge



### LDO PAD (TO-263)



Sheet: <b>SMT.SchDoc</b>	Size: <b>Letter</b>
Description: <b>Schematic for DIY SMT Parts</b>	
Project: <b>Propeller Project Board USB</b>	Part #: <b>32810</b>
Date: <b>1/19/2016</b>	Rev: <b>C, D</b>
599 Menlo Drive Rocklin, CA 95765 www.parallax.com	Sheet <b>5</b> of <b>5</b> Drawn By: <b>C. Kevin</b>