

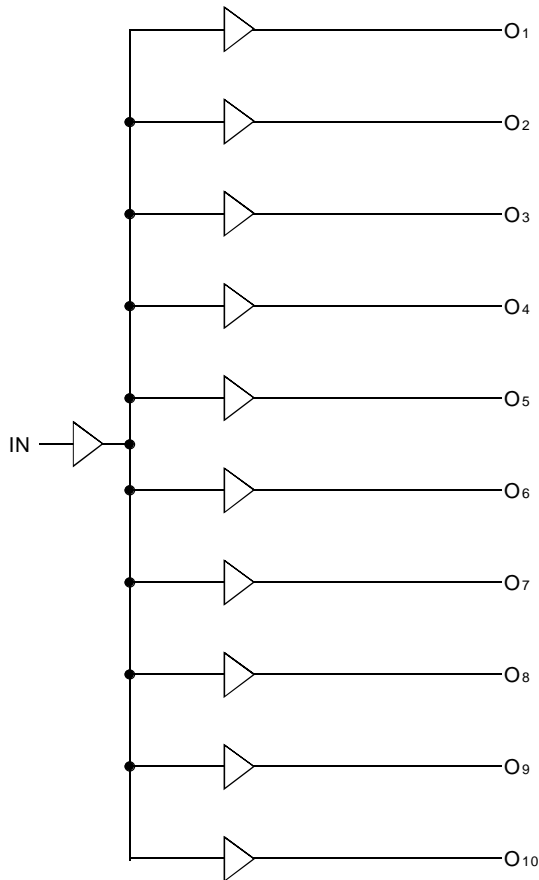
FEATURES:

- 0.5 MICRON CMOS Technology
- Guaranteed low skew < 250ps (max.)
- Very low duty cycle distortion < 350ps (max.)
- High speed: propagation delay < 2.5ns (max.)
- 100MHz operation
- TTL compatible inputs and outputs
- TTL level output voltage swings
- 1:10 fanout
- Output rise and fall time < 1.5ns (max)
- Low input capacitance: 4.5pF typical
- High drive: -32mA I<sub>OH</sub>, +48mA I<sub>OL</sub>
- Available in QSOP, SSOP, and SOIC packages

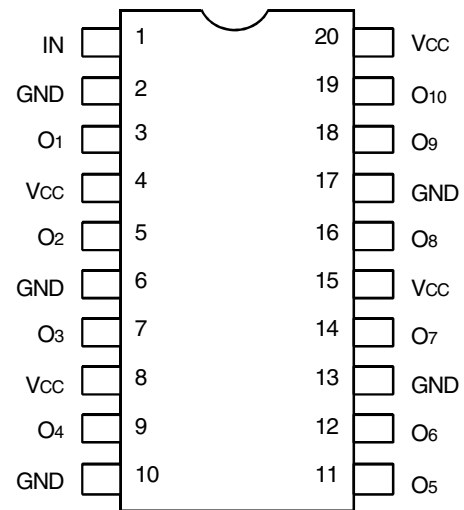
DESCRIPTION:

The FCT807T clock driver is built using advanced dual metal CMOS technology. This low skew clock driver features 1:10 fanout, providing minimal loading on the preceding drivers. The FCT807T offers low capacitance inputs with hysteresis for improved noise margins. TTL level outputs and multiple power and grounds reduce noise. The device also features -32/48mA drive capability for driving low impedance traces.

FUNCTIONAL BLOCK DIAGRAM



PIN CONFIGURATION



QSOP/ SOIC/ SSOP  
TOP VIEW

### ABSOLUTE MAXIMUM RATINGS(1)

| Symbol            | Description                          | Max         | Unit |
|-------------------|--------------------------------------|-------------|------|
| V <sub>TERM</sub> | Terminal Voltage with Respect to GND | -0.5 to +7  | V    |
| T <sub>STG</sub>  | Storage Temperature                  | -65 to +150 | °C   |
| I <sub>OUT</sub>  | DC Output Current                    | -60 to +120 | mA   |

**NOTE:**

- Stresses greater than those listed under ABSOLUTE MAXIMUM RATINGS may cause permanent damage to the device. This is a stress rating only and functional operation of the device at these or any other conditions above those indicated in the operational sections of this specification is not implied. Exposure to absolute maximum rating conditions for extended periods may affect reliability.

### CAPACITANCE (T<sub>A</sub> = +25°C, f = 1.0MHz)

| Symbol           | Parameter <sup>(1)</sup> | Conditions            | Typ. | Max. | Unit |
|------------------|--------------------------|-----------------------|------|------|------|
| C <sub>IN</sub>  | Input Capacitance        | V <sub>IN</sub> = 0V  | 4.5  | 6    | pF   |
| C <sub>OUT</sub> | Output Capacitance       | V <sub>OUT</sub> = 0V | 5.5  | 8    | pF   |

**NOTE:**

- This parameter is measured at characterization but not tested.

### PIN DESCRIPTION

| Pin Names | Description |
|-----------|-------------|
| IN        | Inputs      |
| Ox        | Outputs     |

### DC ELECTRICAL CHARACTERISTICS OVER OPERATING RANGE

Following Conditions Apply Unless Otherwise Specified:

Commercial: T<sub>A</sub> = 0°C to +70°C, Industrial: T<sub>A</sub> = -40°C to +85°C, V<sub>CC</sub> = 5V ± 5%

| Symbol   | Parameter  | Test Conditions <sup>(1)</sup>  | Min.                    | Typ. <sup>(2)</sup> | Max. | Unit |   |
|--|--|---|-------------------------|---------------------|------|------|---|
| V <sub>IH</sub>  | Input HIGH Level (Input pins)                          | Guaranteed Logic HIGH Level   | 2                       | —                   | —    | V    |   |
| V <sub>IL</sub>  | Input LOW Level  | Guaranteed Logic LOW Level  | —                       | —                   | 0.8  | V    |   |
| I <sub>IH</sub>  | Input HIGH Current (Input pins)                        | V <sub>CC</sub> = Max., V <sub>I</sub> = 2.7V                                   | —                       | —                   | ±1   | μA   |   |
| I <sub>IL</sub>  | Input LOW Current (Input pins)                         | V <sub>CC</sub> = Max., V <sub>I</sub> = 0.5V                                   | —                       | —                   | ±1   | μA   |   |
| I <sub>OZH</sub>   | High Impedance Output Current<br>(3-State Output pins) | V <sub>CC</sub> = Max., V <sub>O</sub> = 2.7V                                   | —                       | —                   | ±1   | μA   |   |
| I <sub>OZL</sub>   |  |   | —                       | —                   | ±1   |      |   |
| I <sub>I</sub>   | Input HIGH Current                                     | V <sub>CC</sub> = Max., V <sub>I</sub> = V <sub>CC</sub> (Max.)                 | —                       | —                   | ±1   | μA   |   |
| V <sub>IK</sub>  | Clamp Diode Voltage                                    | V <sub>CC</sub> = Min., I <sub>IN</sub> = -18mA                                 | —                       | -0.7                | -1.2 | V    |   |
| I <sub>OS</sub>  | Short Circuit Current <sup>(4)</sup>                   | V <sub>CC</sub> = Max., V <sub>O</sub> = GND <sup>(3)</sup>                     | -60                     | -120                | -225 | mA   |   |
| V <sub>OH</sub>  | Output HIGH Voltage                                    | V <sub>CC</sub> = Min.,<br>V <sub>IN</sub> = V <sub>IH</sub> or V <sub>IL</sub> | I <sub>OH</sub> = -15mA | 2.4                 | 3.3  | —    | V |
|  |  |   | I <sub>OH</sub> = -32mA | 2                   | 3    | —    |   |
| V <sub>OL</sub>  | Output LOW Voltage                                     | V <sub>CC</sub> = Min.,<br>V <sub>IN</sub> = V <sub>IH</sub> or V <sub>IL</sub> | —                       | 0.3                 | 0.55 | V    |   |
| I <sub>OFF</sub>   | Input/Output Power Off Leakage                         | V <sub>CC</sub> = 0V, V <sub>IN</sub> or V <sub>O</sub> ≤ 4.5V                  | —                       | —                   | ±1   | μA   |   |
| V <sub>H</sub>   | Input Hysteresis for all inputs                        | —   | —                       | 150                 | —    | mV   |   |
| I <sub>CCL</sub><br>I <sub>CCH</sub><br>I <sub>CCZ</sub> | Quiescent Power Supply Current                         | V <sub>CC</sub> = Max., V <sub>IN</sub> = GND or V <sub>CC</sub>                | —                       | 5                   | 500  | μA   |   |

**NOTES:**

- For conditions shown as Max. or Min., use appropriate value specified under Electrical Characteristics for the applicable device type.
- Typical values are at V<sub>CC</sub> = 5V, +25°C ambient.
- Not more than one output should be shorted at one time. Duration of the test should not exceed one second.
- Duration of the condition should not exceed one second.

## POWER SUPPLY CHARACTERISTICS

| Symbol           | Parameter   | Test Conditions <sup>(1)</sup>   |  | Min. | Typ. <sup>(2)</sup> | Max.                | Unit   |
|------------------|---|--|--|------|---------------------|---------------------|--------|
| $\Delta I_{CC}$  | Quiescent Power Supply Current<br>TTL Inputs HIGH | V <sub>CC</sub> = Max.<br>V <sub>IN</sub> = 3.4V   |  | —    | 0.5                 | 2                   | mA     |
| I <sub>CCD</sub> | Dynamic Power Supply Current <sup>(3)</sup>       | V <sub>CC</sub> = Max.<br>Input Toggling<br>50% Duty Cycle<br>Outputs Open                           | V <sub>IN</sub> = V <sub>CC</sub><br>V <sub>IN</sub> = GND | —    | 0.4                 | 0.6                 | mA/MHz |
| I <sub>C</sub>   | Total Power Supply Current <sup>(5)</sup>         | V <sub>CC</sub> = Max.<br>Input Toggling<br>50% Duty Cycle<br>Outputs Open<br>f <sub>i</sub> = 50MHz | V <sub>IN</sub> = V <sub>CC</sub><br>V <sub>IN</sub> = GND | —    | 20                  | 30.5 <sup>(4)</sup> | mA     |
|                  |   |  | V <sub>IN</sub> = 3.4V<br>V <sub>IN</sub> = GND            | —    | 20.3                | 31.3 <sup>(4)</sup> |        |

### NOTES:

- For conditions shown as Max. or Min., use appropriate value specified under Electrical Characteristics for the applicable device type.
- Typical values are at V<sub>CC</sub> = 5V, +25°C ambient.
- Per TTL driven input (V<sub>IN</sub> = 3.4V); all other inputs at V<sub>CC</sub> or GND.
- This parameter is not directly testable, but is derived for use in Total Power Supply calculations.
- Values for these conditions are examples of the I<sub>C</sub> formula. These limits are guaranteed but not tested.
- I<sub>C</sub> = I<sub>QUIESCENT</sub> + I<sub>INPUTS</sub> + I<sub>DYNAMIC</sub>  
 $I_C = I_{CC} + \Delta I_{CC} D_H N_T + I_{CCD} (f_o N_o)$   
 I<sub>CC</sub> = Quiescent Current (I<sub>CC1</sub>, I<sub>CC2</sub> and I<sub>CC3</sub>)  
 $\Delta I_{CC}$  = Power Supply Current for a TTL High Input (V<sub>IN</sub> = 3.4V)  
 D<sub>H</sub> = Duty Cycle for TTL Inputs High  
 N<sub>T</sub> = Number of TTL Inputs at D<sub>H</sub>  
 I<sub>CCD</sub> = Dynamic Current Caused by an Input Transition Pair (HLH or LHL)  
 f<sub>o</sub> = Output Frequency  
 N<sub>o</sub> = Number of Outputs at f<sub>o</sub>  
 All currents are in milliamps and all frequencies are in megahertz.

SWITCHING CHARACTERISTICS OVER OPERATING RANGE - COMMERCIAL<sup>(3,4)</sup>

| Symbol                               | Parameter  | Conditions <sup>(1)</sup>  | FCT807BT            |      | FCT807CT            |      | Unit |
|--------------------------------------|--|--|---------------------|------|---------------------|------|------|
|                                      |  |  | Min. <sup>(2)</sup> | Max. | Min. <sup>(2)</sup> | Max. |      |
| t <sub>PLH</sub><br>t <sub>PHL</sub> | Propagation Delay  | 50Ω to V <sub>CC</sub> /2,<br>C <sub>L</sub> = 10pF<br>(See figure 1)<br>or 50Ω ac<br>termination,<br>C <sub>L</sub> = 10pF<br>(See figure 2)<br>f ≤ 100MHz<br>Outputs connected in<br>groups of two | 1.3                 | 2.7  | 1.3                 | 2.5  | ns   |
| t <sub>R</sub>                       | Output Rise Time   |  | —                   | 1.5  | —                   | 1.5  | ns   |
| t <sub>F</sub>                       | Output Fall Time   |  | —                   | 1.5  | —                   | 1.5  | ns   |
| tsk(O)                               | Output skew: skew between outputs of all banks of same package (inputs tied together)  |  | —                   | 0.5  | —                   | 0.25 | ns   |
| tsk(P)                               | Pulse skew: skew between opposite transitions of same output ( t <sub>PHL</sub> - t <sub>PLH</sub>  )                            |  | —                   | 0.5  | —                   | 0.35 | ns   |
| tsk(T)                               | Package skew: skew between outputs of different packages at same power supply voltage, temperature, package type and speed grade | —  | 0.9                 | —    | 0.65                | ns   |      |

| Symbol                               | Parameter  | Conditions <sup>(1)</sup>                            | FCT807BT            |      | FCT807CT            |      | Unit |
|--------------------------------------|--|--|---------------------|------|---------------------|------|------|
|                                      |  |  | Min. <sup>(2)</sup> | Max. | Min. <sup>(2)</sup> | Max. |      |
| t <sub>PLH</sub><br>t <sub>PHL</sub> | Propagation Delay  | C <sub>L</sub> = 30pF<br>f ≤ 67MHz<br>(See figure 3) | 1.5                 | 3.8  | 1.5                 | 3.5  | ns   |
| t <sub>R</sub>                       | Output Rise Time   |  | —                   | 1.5  | —                   | 1.5  | ns   |
| t <sub>F</sub>                       | Output Fall Time   |  | —                   | 1.5  | —                   | 1.5  | ns   |
| tsk(O)                               | Output skew: skew between outputs of all banks of same package (inputs tied together)  |  | —                   | 0.5  | —                   | 0.25 | ns   |
| tsk(P)                               | Pulse skew: skew between opposite transitions of same output ( t <sub>PHL</sub> - t <sub>PLH</sub>  )                            |  | —                   | 0.5  | —                   | 0.35 | ns   |
| tsk(T)                               | Package skew: skew between outputs of different packages at same power supply voltage, temperature, package type and speed grade | —  | 0.9                 | —    | 0.75                | ns   |      |

| Symbol                               | Parameter  | Conditions <sup>(1)</sup>                            | FCT807BT            |      | FCT807CT            |      | Unit |
|--------------------------------------|--|--|---------------------|------|---------------------|------|------|
|                                      |  |  | Min. <sup>(2)</sup> | Max. | Min. <sup>(2)</sup> | Max. |      |
| t <sub>PLH</sub><br>t <sub>PHL</sub> | Propagation Delay  | C <sub>L</sub> = 30pF<br>f ≤ 40MHz<br>(See figure 4) | 1.5                 | 3.8  | 1.5                 | 3.5  | ns   |
| t <sub>R</sub>                       | Output Rise Time   |  | —                   | 1.5  | —                   | 1.5  | ns   |
| t <sub>F</sub>                       | Output Fall Time   |  | —                   | 1.5  | —                   | 1.5  | ns   |
| tsk(O)                               | Output skew: skew between outputs of all banks of same package (inputs tied together)  |  | —                   | 0.5  | —                   | 0.35 | ns   |
| tsk(P)                               | Pulse skew: skew between opposite transitions of same output ( t <sub>PHL</sub> - t <sub>PLH</sub>  )                            |  | —                   | 0.6  | —                   | 0.45 | ns   |
| tsk(T)                               | Package skew: skew between outputs of different packages at same power supply voltage, temperature, package type and speed grade | —  | 1                   | —    | 0.75                | ns   |      |

NOTES:

1. See test circuits and waveforms.
2. Minimum limits are guaranteed but not tested on Propagation Delays.
3. t<sub>PLH</sub>, t<sub>PHL</sub>, tsk(t) are production tested. All other parameters guaranteed but not production tested.
4. Propagation delay range indicated by Min. and Max. limit is due to V<sub>CC</sub>, operating temperature and process parameters. These propagation delay limits do not imply skew.

SWITCHING CHARACTERISTICS OVER OPERATING RANGE - INDUSTRIAL<sup>(3,4)</sup>

| Symbol                               | Parameter  | Conditions <sup>(1)</sup>  | FCT807BT            |      | FCT807CT            |      | Unit |
|--------------------------------------|--|--|---------------------|------|---------------------|------|------|
|                                      |  |  | Min. <sup>(2)</sup> | Max. | Min. <sup>(2)</sup> | Max. |      |
| t <sub>PLH</sub><br>t <sub>PHL</sub> | Propagation Delay  | 50Ω to V <sub>CC</sub> /2,<br>C <sub>L</sub> = 10pF<br>(See figure 1)<br>or 50Ω ac<br>termination,<br>C <sub>L</sub> = 10pF<br>(See figure 2)<br>f ≤ 100MHz<br>Outputs connected in<br>groups of two | 1.3                 | 2.9  | 1.3                 | 2.7  | ns   |
| t <sub>R</sub>                       | Output Rise Time   |  | —                   | 1.5  | —                   | 1.5  | ns   |
| t <sub>F</sub>                       | Output Fall Time   |  | —                   | 1.5  | —                   | 1.5  | ns   |
| tsk(O)                               | Output skew: skew between outputs of all banks of same package (inputs tied together)  |  | —                   | 0.6  | —                   | 0.35 | ns   |
| tsk(P)                               | Pulse skew: skew between opposite transitions of same output ( t <sub>PHL</sub> - t <sub>PLH</sub>  )                            |  | —                   | 0.6  | —                   | 0.45 | ns   |
| tsk(T)                               | Package skew: skew between outputs of different packages at same power supply voltage, temperature, package type and speed grade | —  | 0.9                 | —    | 0.65                | ns   |      |

| Symbol                               | Parameter  | Conditions <sup>(1)</sup>                            | FCT807BT            |      | FCT807CT            |      | Unit |
|--------------------------------------|--|--|---------------------|------|---------------------|------|------|
|                                      |  |  | Min. <sup>(2)</sup> | Max. | Min. <sup>(2)</sup> | Max. |      |
| t <sub>PLH</sub><br>t <sub>PHL</sub> | Propagation Delay  | C <sub>L</sub> = 30pF<br>f ≤ 67MHz<br>(See figure 3) | 1.5                 | 4    | 1.5                 | 3.7  | ns   |
| t <sub>R</sub>                       | Output Rise Time   |  | —                   | 1.5  | —                   | 1.5  | ns   |
| t <sub>F</sub>                       | Output Fall Time   |  | —                   | 1.5  | —                   | 1.5  | ns   |
| tsk(O)                               | Output skew: skew between outputs of all banks of same package (inputs tied together)  |  | —                   | 0.6  | —                   | 0.35 | ns   |
| tsk(P)                               | Pulse skew: skew between opposite transitions of same output ( t <sub>PHL</sub> - t <sub>PLH</sub>  )                            |  | —                   | 0.6  | —                   | 0.45 | ns   |
| tsk(T)                               | Package skew: skew between outputs of different packages at same power supply voltage, temperature, package type and speed grade | —  | 0.9                 | —    | 0.75                | ns   |      |

| Symbol                               | Parameter  | Conditions <sup>(1)</sup>                            | FCT807BT            |      | FCT807CT            |      | Unit |
|--------------------------------------|--|--|---------------------|------|---------------------|------|------|
|                                      |  |  | Min. <sup>(2)</sup> | Max. | Min. <sup>(2)</sup> | Max. |      |
| t <sub>PLH</sub><br>t <sub>PHL</sub> | Propagation Delay  | C <sub>L</sub> = 30pF<br>f ≤ 40MHz<br>(See figure 4) | 1.5                 | 4    | 1.5                 | 3.7  | ns   |
| t <sub>R</sub>                       | Output Rise Time   |  | —                   | 1.5  | —                   | 1.5  | ns   |
| t <sub>F</sub>                       | Output Fall Time   |  | —                   | 1.5  | —                   | 1.5  | ns   |
| tsk(O)                               | Output skew: skew between outputs of all banks of same package (inputs tied together)  |  | —                   | 0.6  | —                   | 0.45 | ns   |
| tsk(P)                               | Pulse skew: skew between opposite transitions of same output ( t <sub>PHL</sub> - t <sub>PLH</sub>  )                            |  | —                   | 0.7  | —                   | 0.55 | ns   |
| tsk(T)                               | Package skew: skew between outputs of different packages at same power supply voltage, temperature, package type and speed grade | —  | 1                   | —    | 0.75                | ns   |      |

NOTES:

1. See test circuits and waveforms.
2. Minimum limits are guaranteed but not tested on Propagation Delays.
3. t<sub>PLH</sub>, t<sub>PHL</sub>, tsk(t) are production tested. All other parameters guaranteed but not production tested.
4. Propagation delay range indicated by Min. and Max. limit is due to V<sub>CC</sub>, operating temperature and process parameters. These propagation delay limits do not imply skew.

TEST CIRCUITS

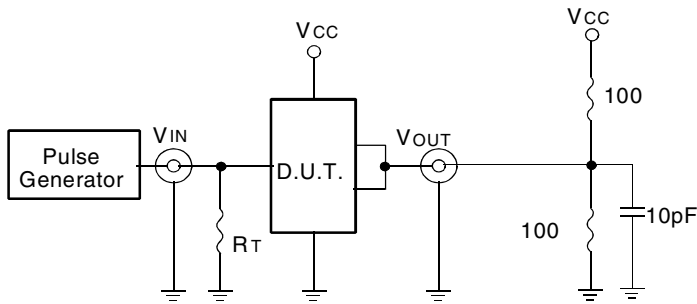


Fig. 1: 50Ω to Vcc/2, CL = 10pF

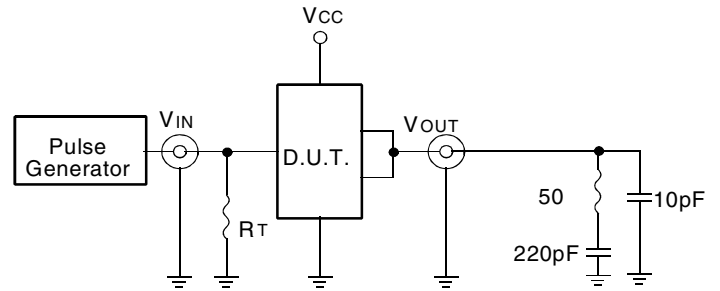


Fig. 2: 50Ω AC Termination, CL = 10pF

The capacitor value for AC termination is determined by the operating frequency. For very low frequencies a higher capacitor value should be selected.

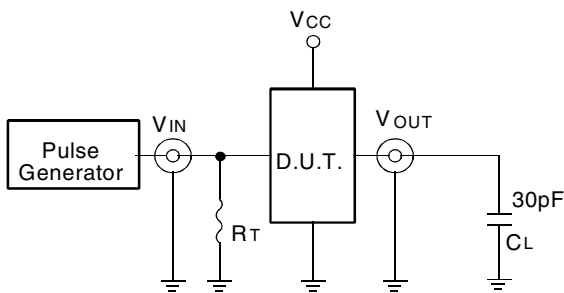


Fig. 3: CL = 30pF Circuit

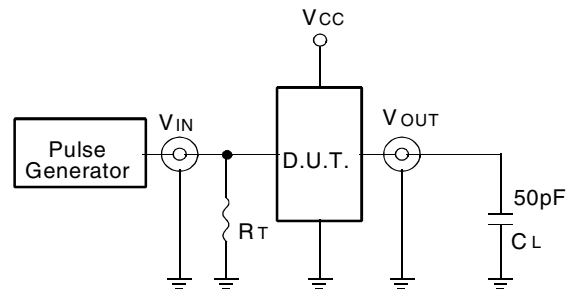


Fig. 4: CL = 50pF Circuit

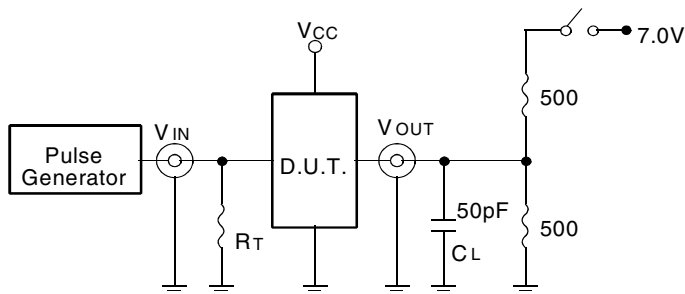


Fig. 5: Enable and Disable Time Circuit

SWITCH POSITION

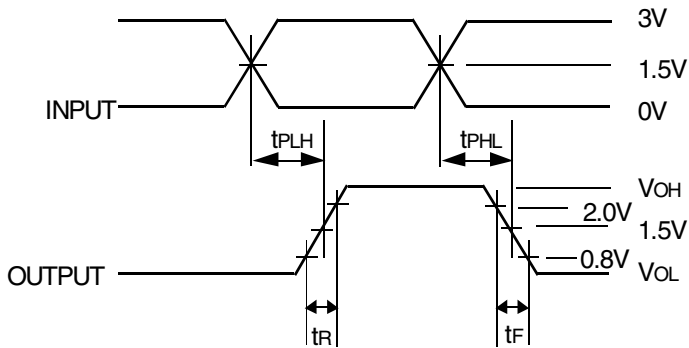
| Test                        | Switch |
|-----------------------------|--------|
| Disable LOW<br>Enable LOW   | 6V     |
| Disable HIGH<br>Enable HIGH | GND    |

DEFINITIONS:

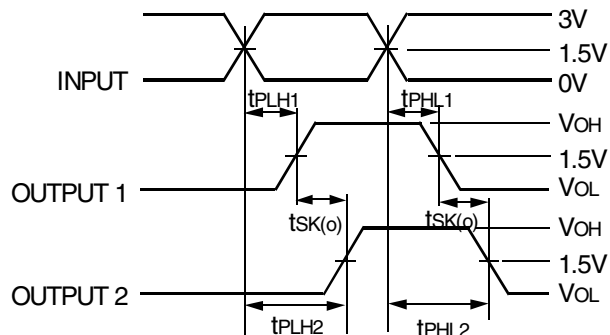
CL = Load capacitance: includes jig and probe capacitance.

RT = Termination resistance: should be equal to Zout of the Pulse Generator.

TEST WAVEFORMS

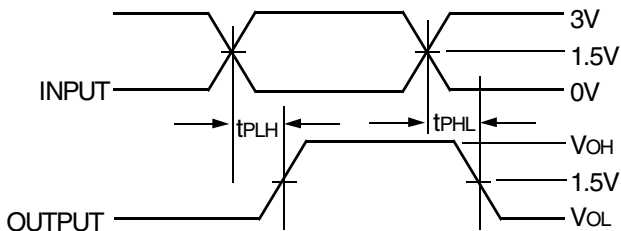


Package Delay



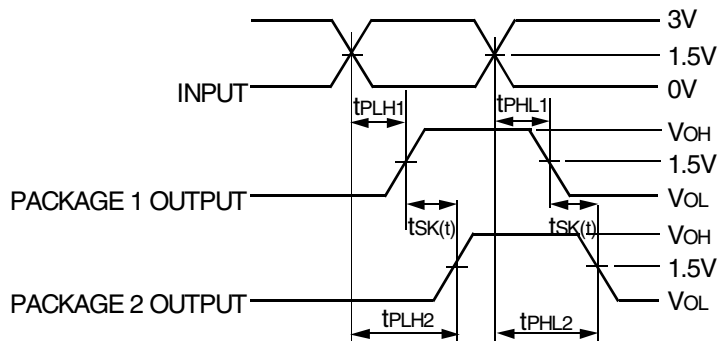
$$tsk(o) = |tPLH2 - tPLH1| \text{ or } |tPHL2 - tPHL1|$$

Output Skew -  $tsk(o)$



$$tsk(p) = |tPHL - tPLH|$$

Pulse Skew -  $tsk(p)$

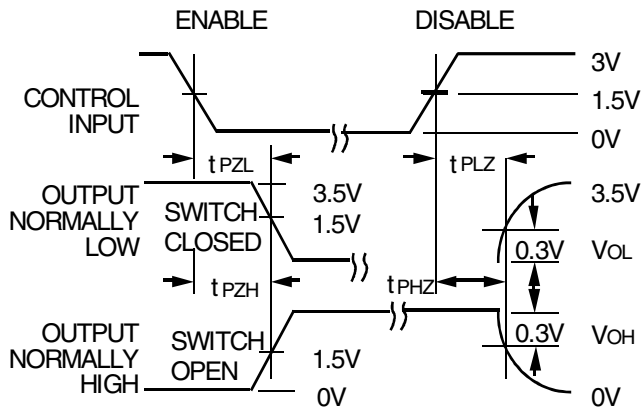


$$tsk(t) = |tPLH2 - tPLH1| \text{ or } |tPHL2 - tPHL1|$$

Part-to-Part Skew -  $tsk(t)$

NOTE:

1. Package 1 and Package 2 are same device type and speed grade.

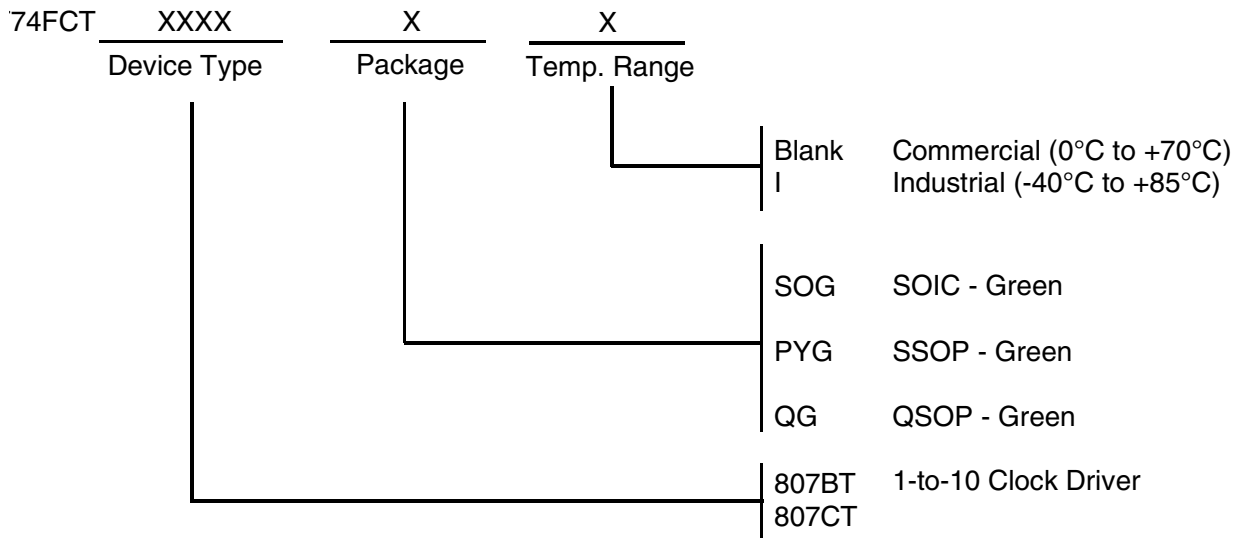


Enable and Disable Times

NOTES:

1. Diagram shown for input Control Enable-LOW and input Control Disable-HIGH
2. Pulse Generator for All Pulses: Rate  $\leq 1.0\text{MHz}$ ;  $t_r \leq 2.5\text{ns}$ ;  $t_f \leq 2.5\text{ns}$

ORDERING INFORMATION





## IMPORTANT NOTICE AND DISCLAIMER

RENESAS ELECTRONICS CORPORATION AND ITS SUBSIDIARIES (“RENESAS”) PROVIDES TECHNICAL SPECIFICATIONS AND RELIABILITY DATA (INCLUDING DATASHEETS), DESIGN RESOURCES (INCLUDING REFERENCE DESIGNS), APPLICATION OR OTHER DESIGN ADVICE, WEB TOOLS, SAFETY INFORMATION, AND OTHER RESOURCES “AS IS” AND WITH ALL FAULTS, AND DISCLAIMS ALL WARRANTIES, EXPRESS OR IMPLIED, INCLUDING, WITHOUT LIMITATION, ANY IMPLIED WARRANTIES OF MERCHANTABILITY, FITNESS FOR A PARTICULAR PURPOSE, OR NON-INFRINGEMENT OF THIRD PARTY INTELLECTUAL PROPERTY RIGHTS.

These resources are intended for developers skilled in the art designing with Renesas products. You are solely responsible for (1) selecting the appropriate products for your application, (2) designing, validating, and testing your application, and (3) ensuring your application meets applicable standards, and any other safety, security, or other requirements. These resources are subject to change without notice. Renesas grants you permission to use these resources only for development of an application that uses Renesas products. Other reproduction or use of these resources is strictly prohibited. No license is granted to any other Renesas intellectual property or to any third party intellectual property. Renesas disclaims responsibility for, and you will fully indemnify Renesas and its representatives against, any claims, damages, costs, losses, or liabilities arising out of your use of these resources. Renesas' products are provided only subject to Renesas' Terms and Conditions of Sale or other applicable terms agreed to in writing. No use of any Renesas resources expands or otherwise alters any applicable warranties or warranty disclaimers for these products.

(Rev.1.0 Mar 2020)

### Corporate Headquarters

TOYOSU FORESIA, 3-2-24 Toyosu,  
Koto-ku, Tokyo 135-0061, Japan  
[www.renesas.com](http://www.renesas.com)

### Contact Information

For further information on a product, technology, the most up-to-date version of a document, or your nearest sales office, please visit:  
[www.renesas.com/contact/](http://www.renesas.com/contact/)

### Trademarks

Renesas and the Renesas logo are trademarks of Renesas Electronics Corporation. All trademarks and registered trademarks are the property of their respective owners.