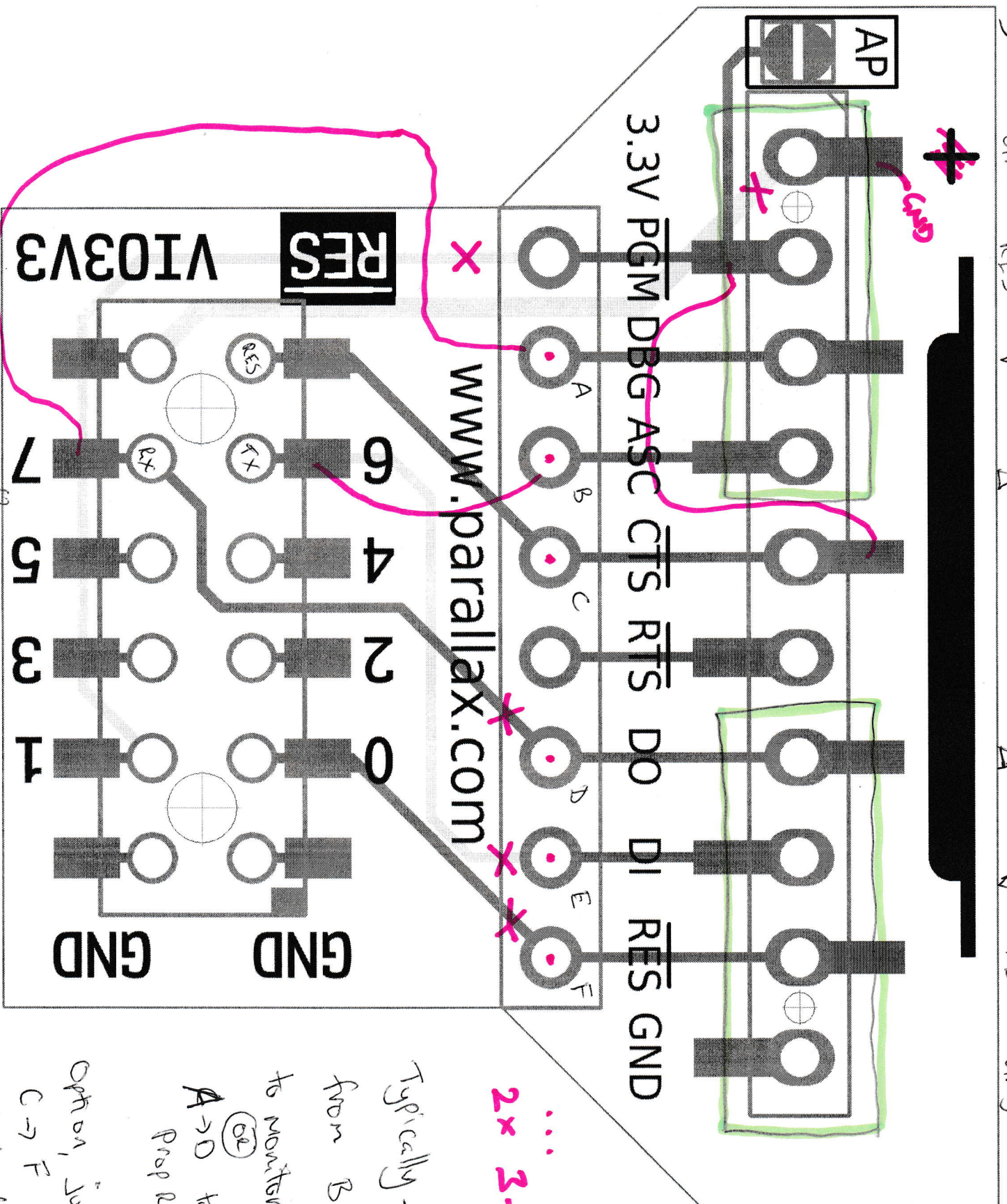


Programming Header
 GND RES TX TX TX TX RES GND



Comms "Sniffer" header

2x R/A headers

... 2x 3-pin headers

Typically - jumper from B → D to monitor Prop TX, (or) A → D to monitor Prop RX, Option, jumper C → F for remote control of reset!