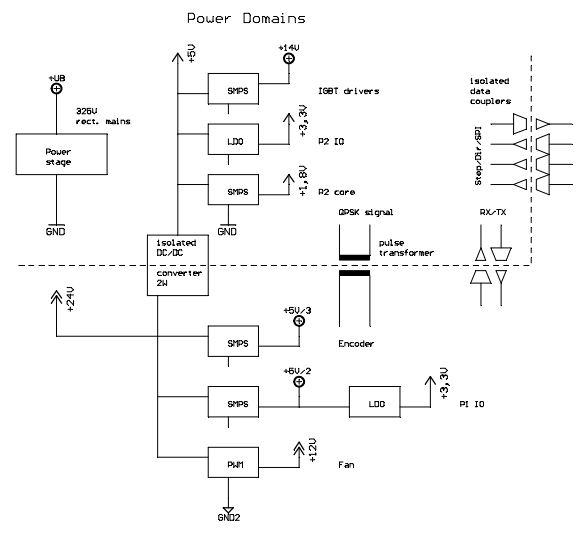
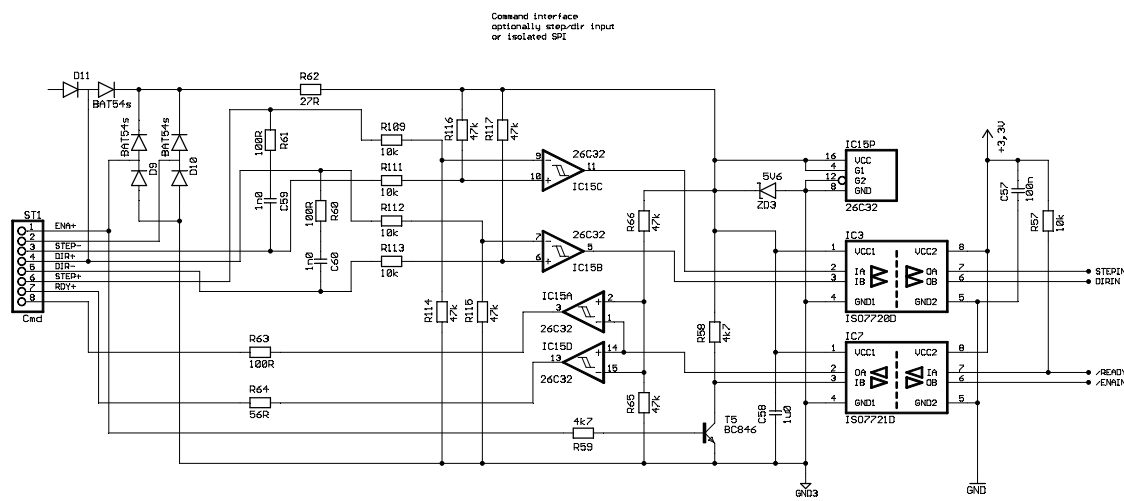
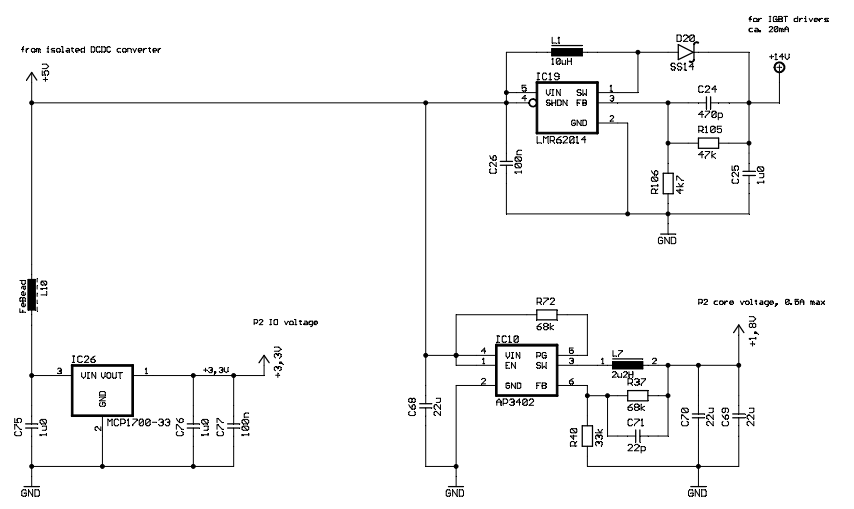
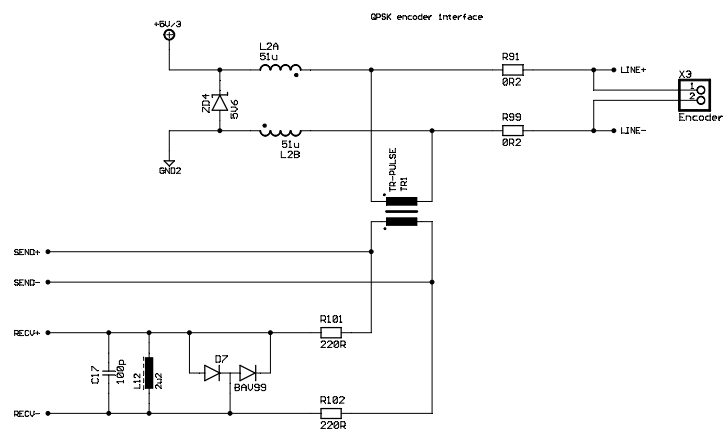
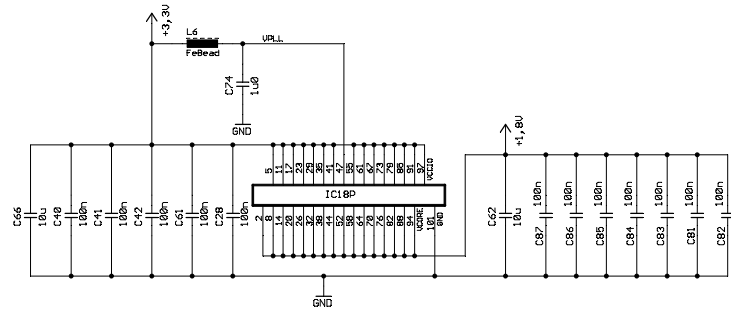
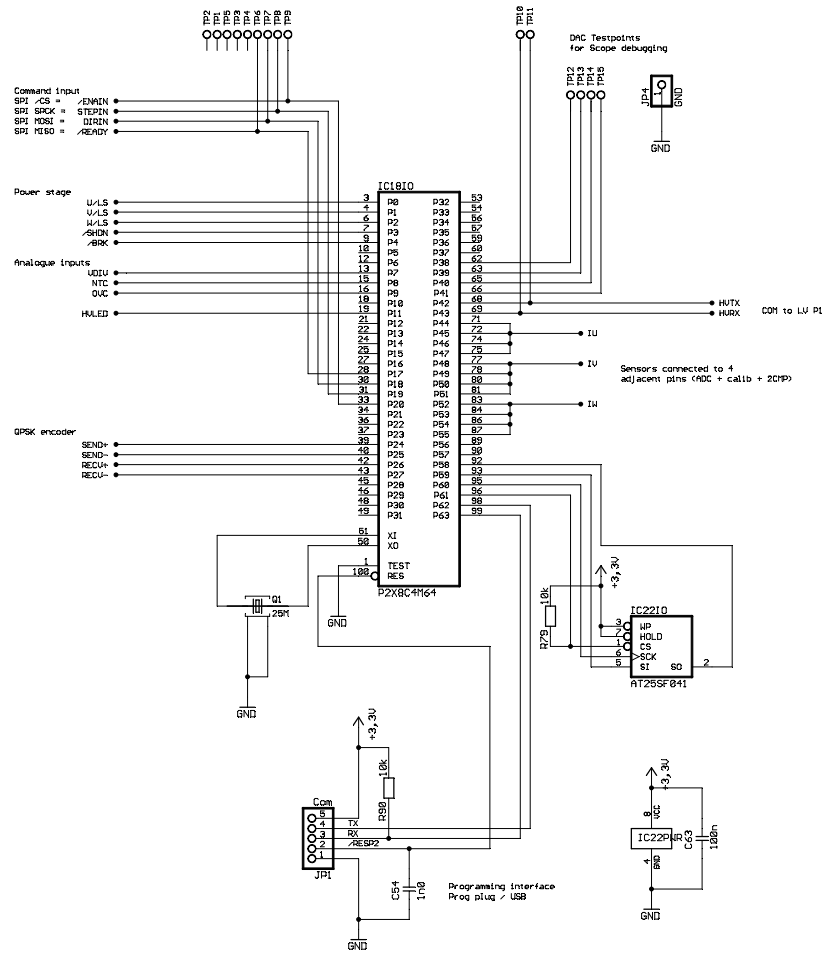


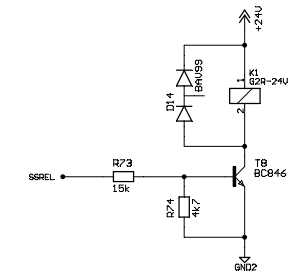
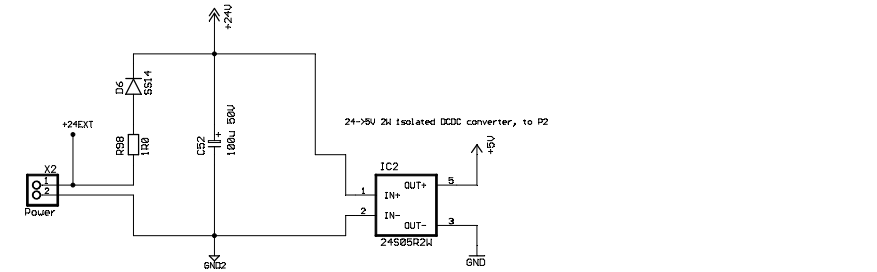
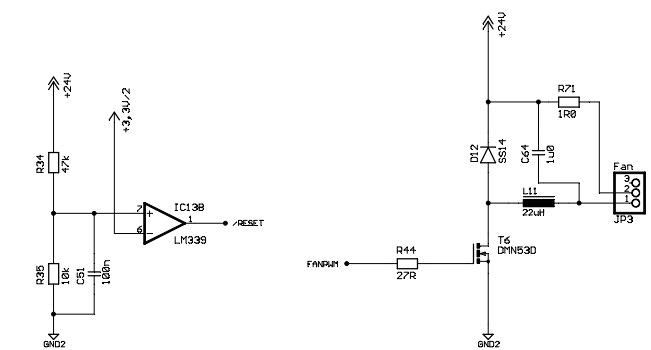
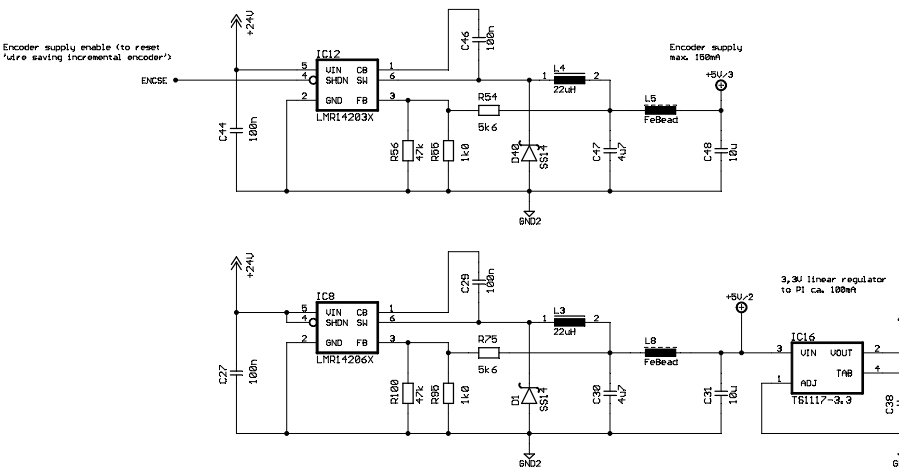
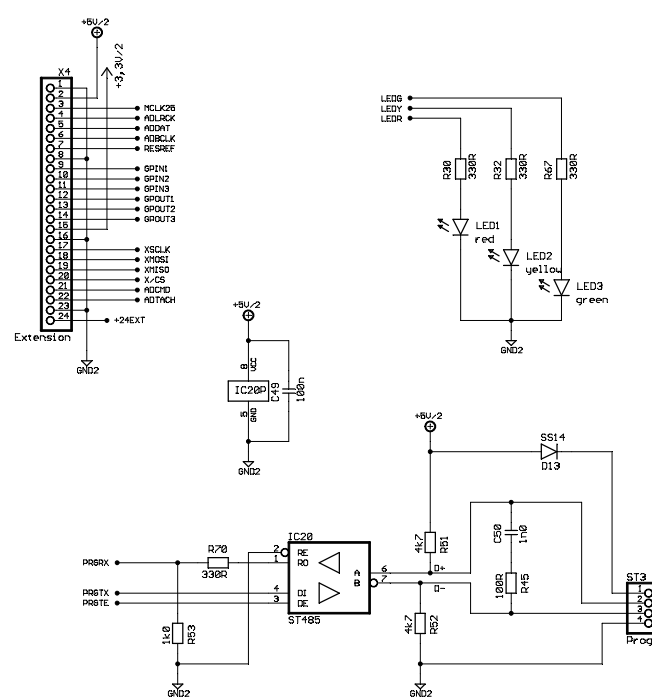
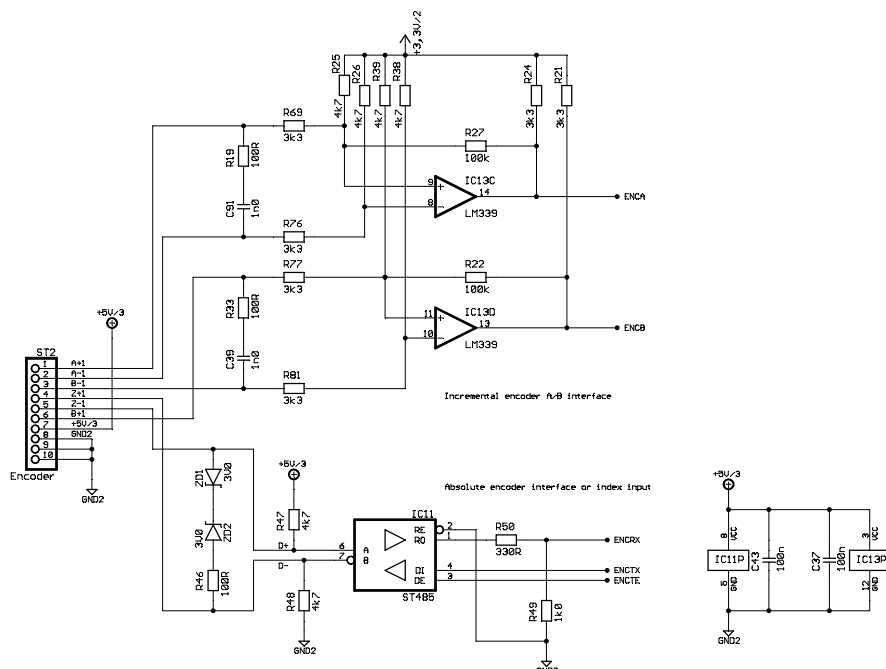
Speedcube3 Brushless Servo 230VAC	
Part1: Power stage	
TITLE: Speedcube3b	
Document Number:	REV:
Date: 07.03.2022 14:24:42	Sheet: 1/5



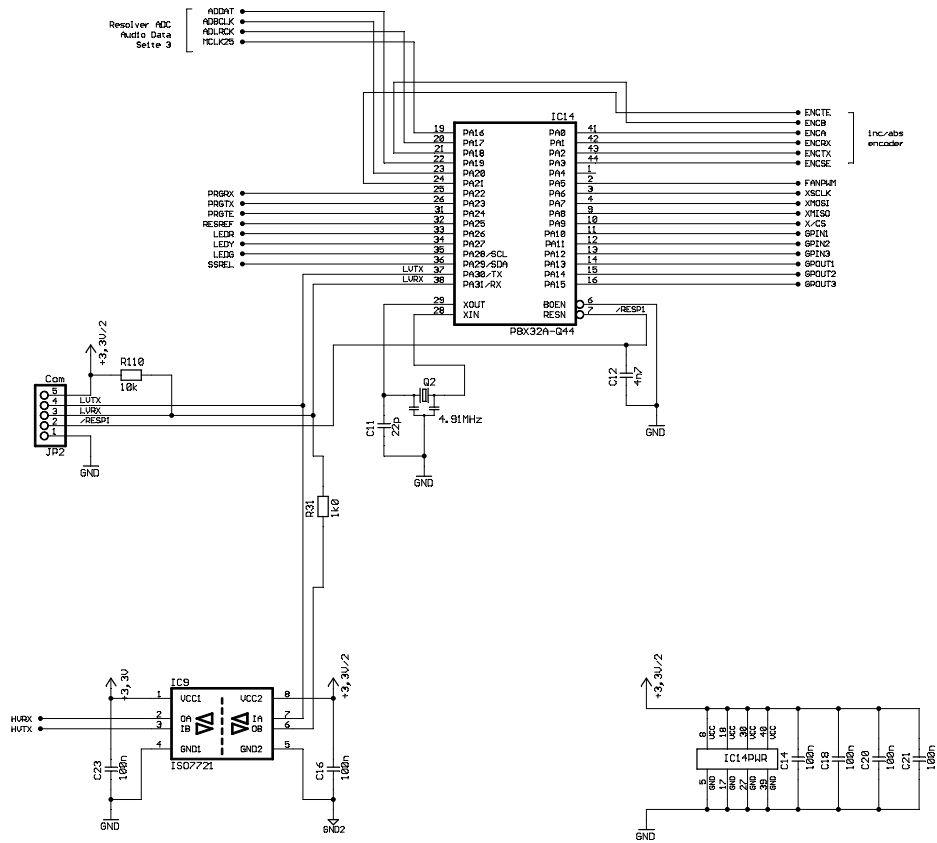
Speedcube3 Brushless Servo 230VAC	
Part 2: Step/Dir/SPI, HV power domain	
TITLE: Speedcube3b	
Document Number:	REV:
Date: 07.03.2022 14:24:42	Sheet: 2/5



Speedcube3 Brushless Servo 230VAC	
Part 3: Propeller 2 CPU	
TITLE: Speedcube3b	
Document Number:	REV:
Date: 07.03.2022 14:24:42	Sheet: 3/5



Speedcube3 Brushless Servo 230VAC	
Part 4: Propeller P1, LU power domain	
TITLE: Speedcube3b	
Document Number:	REV:
Date: 07.03.2022 14:24:42	Sheet: 4/5



Speedcube3 Brushless Servo 230VAC	
Part 5: Propeller P1, LU power domain	
TITLE: Speedcube3b	
Document Number:	REV:
Date: 07.03.2022 14:24:42	Sheet: 5/5