

6

5

4

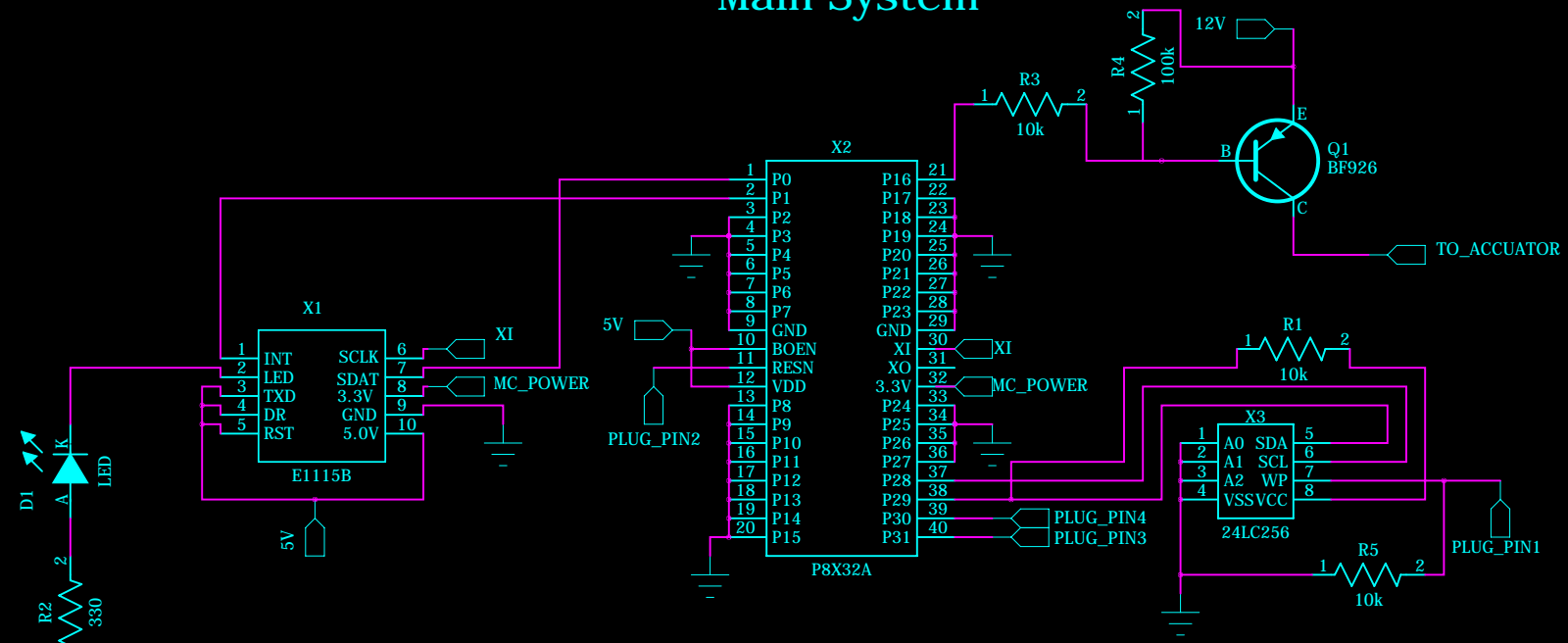
3

2

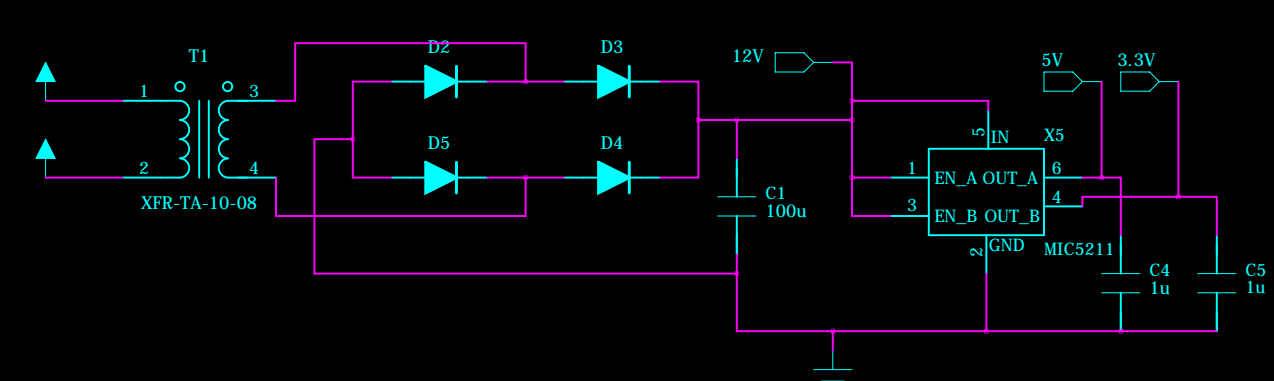
1

REVISION RECORD			
LTR	ECO NO:	APPROVED:	DATE:

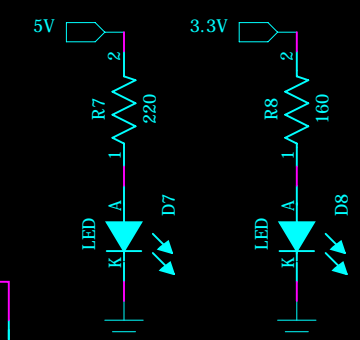
Main System



Power Supply



POWER LED's



COMPANY: <Team 5>			
TITLE: <Card Security System>			
CODE:	SIZE: B	DRAWING NO: A	REV: 5
DRAWN: Brett Southworth		DATED: 9/26/2014	
CHECKED: Alex Grube		DATED: 9/30/2014	
QUALITY CONTROL: <QC By>		DATED: <QC Date>	
RELEASED: <Released By>		DATED: <Release Date>	
SCALE:			SHEET: 1 OF 1

D

C

B

A

D

C

B

A