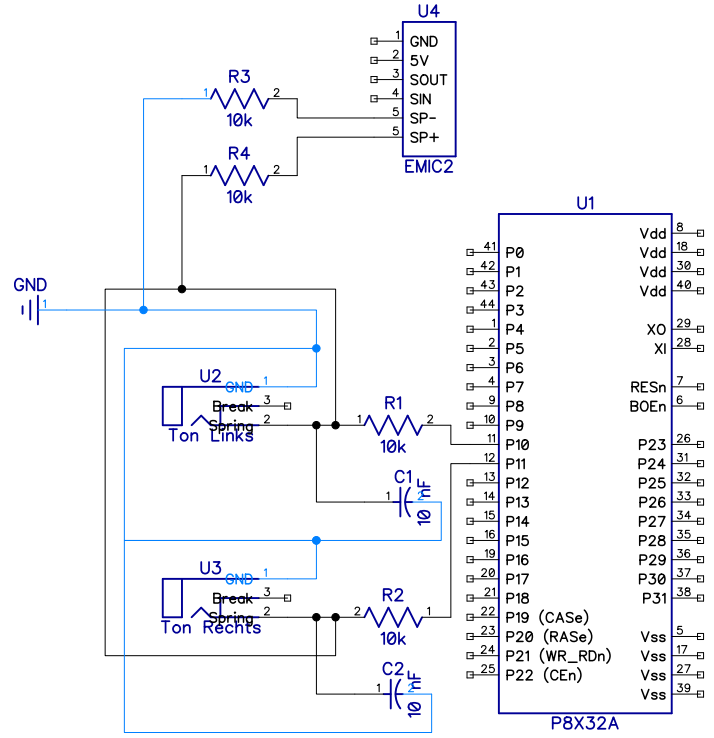


2

1

RevNo	Revision note	Date	Signature	Checked
-------	---------------	------	-----------	---------



2

1

B

B

A

A