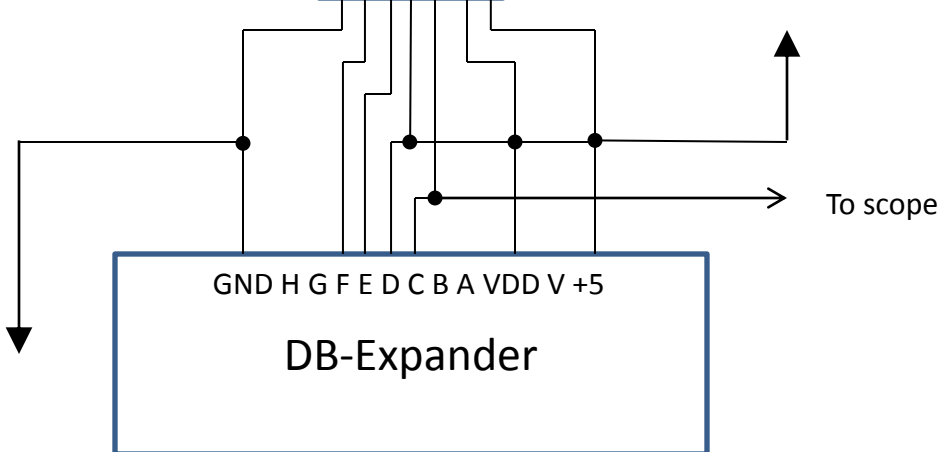


DB-Expander Pinout

- A: S1 (pulled hi on TCS3200)
- B: S0 (pulled hi on TCS3200)
- C: Output
- D: LED enable
- E: S2
- F: S3

800-28301 extension cable



Frequencies (kHz)	R	G	B
Initial	6.7	2.4	2.4
Current	3.8	1.3	1.2