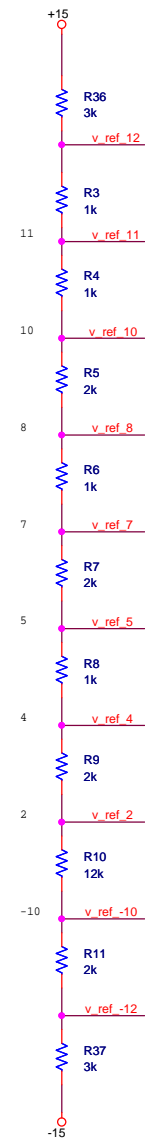
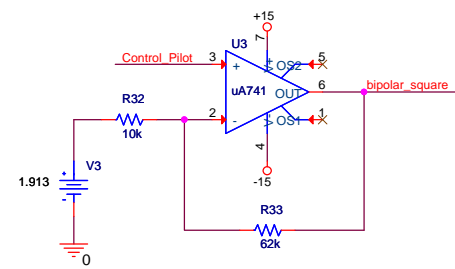


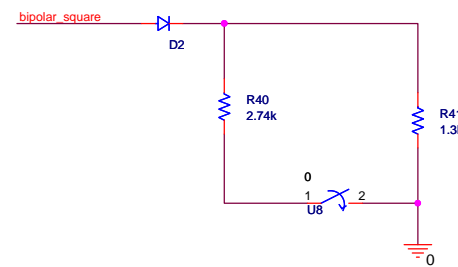
Microcontroller



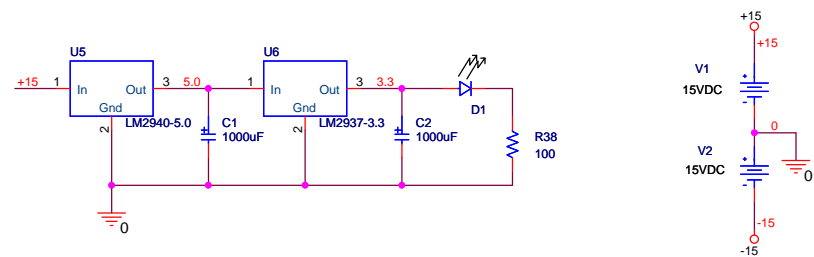
Resistive Ladder For Voltage References



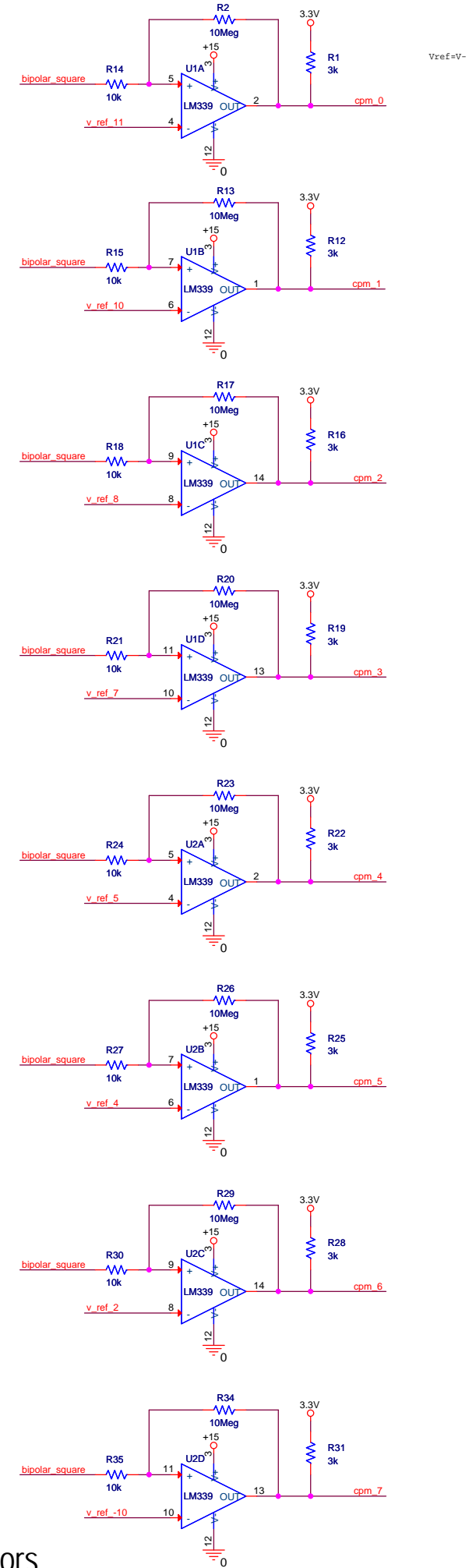
Unipolar To Bipolar



Vehicle Equivalent Circuitry (Switch Closes To Indicate Vehicle Wants To Charge)



Power Supply



Voltage Comparators