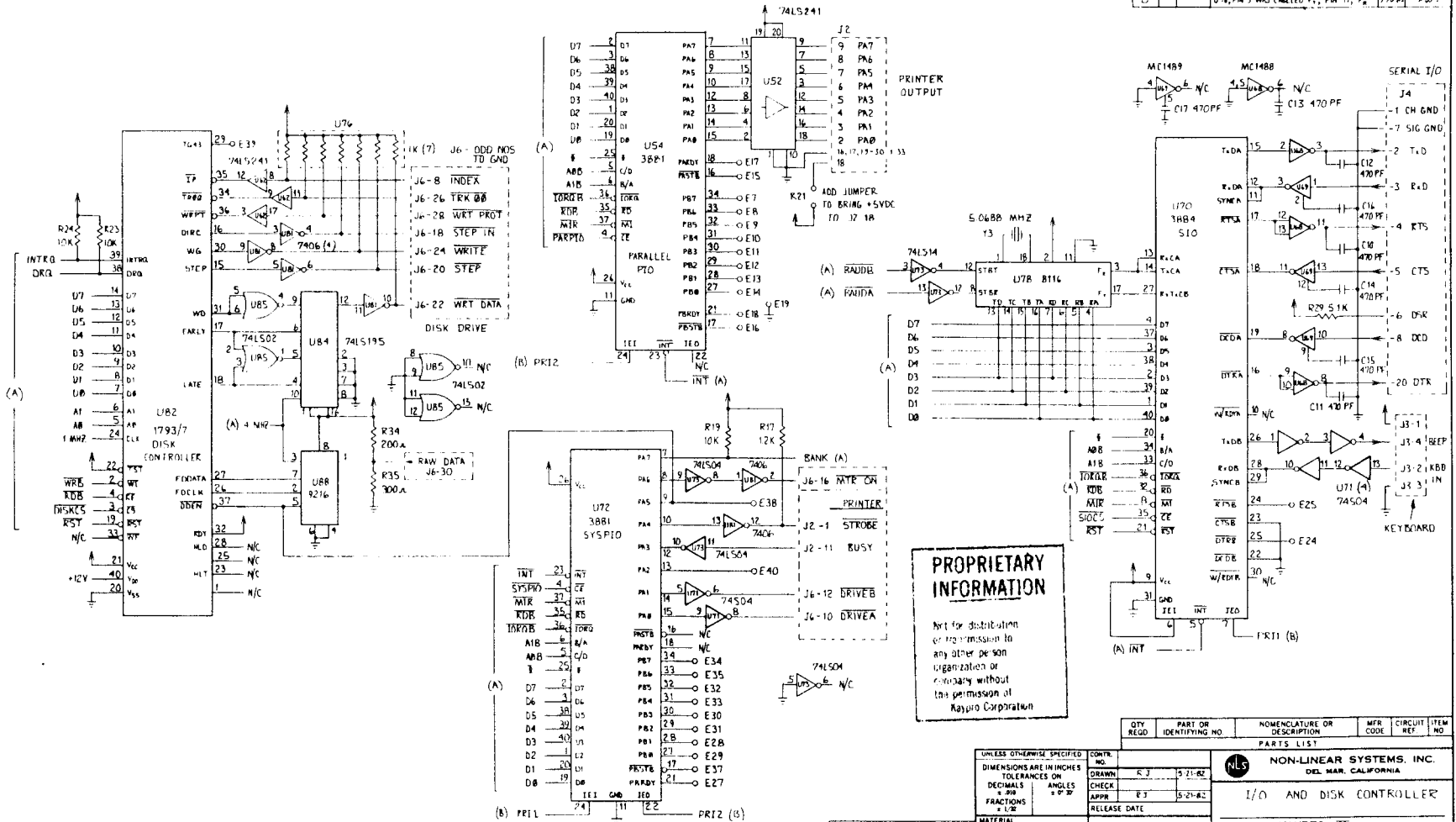


6-6.2

REVISIONS					
ZONE	LTR	EFFECT	DESCRIPTION	DATE	APPROVED
B			REWORKING WAS SH 2012Z (E. 1422)	1-5-83	A. W. F.
C			UBS PIN 4 AND NO DOUBLE. U70 PIN 55 WAS OFFID. ADDED GND INFO ON J1, J4	12-7-83	E. W. J.
L			U76 PIN 5 WAS LABELED F.; PIN 17, F ₆	1-20-84	E. W. J.



PROPRIETARY INFORMATION

Not for distribution or transmission to any other person, organization or company without the permission of Kaypro Corporation.

QTY	REGD	PART OR IDENTIFYING NO	NOMENCLATURE OR DESCRIPTION	MFR CODE	CIRCUIT REF.	ITEM NO
PARTS LIST						
NON-LINEAR SYSTEMS, INC. DEL MAR, CALIFORNIA						
I/O AND DISK CONTROLLER						
KAYPRO II						
SIZE	COORDINATE NO	D 03626		81-111		
SCALE	WEIGHT			SHEET 2 B		

APPLICATION	FINAL ASSY.	FINAL ASSY.	FINAL ASSY.

UNLESS OTHERWISE SPECIFIED
DIMENSIONS ARE IN INCHES
TOLERANCES ON
DECIMALS ANGLES
FRACTIONS

CONTR. NO.
DRAWN
CHECKED
APPROVED
RELEASE DATE

