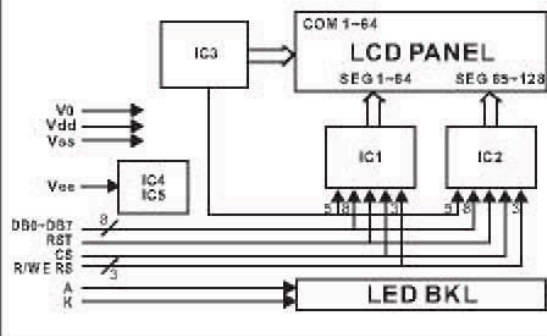


ITEM	T1	T2
LED backlight	8.7	13.0
EL / without backlight	4.6	9.0

BLOCK DIAGRAM



FEATURE

1. 128X64 dots graphic LCD module
2. Built-in controller (KS0108B)
3. +5V power supply
4. STN LCD panel, 1/64 duty cycle

MECHANICAL SPECIFICATIONS

PARAMETER	VALUE	UNIT
DOT NUMBER	128W X 64H	—
OVERALL SIZE	93.00W X 70.00H	mm
VIEWING AREA	72.00W X 40.00H	mm
HOLE - HOLE	88.00W X 64.00H	mm
DOT SIZE	0.48W X 0.48H	mm
DOT PITCH	0.04W X 0.04H	mm

PIN ASSIGNMENT

PIN	SYMBOL	FUNCTION
1	Vss	GND
2	Vdd	Power Supply
3	V0	Contrast Adjust
4	RS	H/L Register select signal
5	R/W	H/L Read/write
6	E	Chip enable signal
7 to 14	DB0 to DB7	H/L Data bus line
15	CS1	Chip select for IC1
16	CS2	Chip select for IC2
17	RST	Reset signal
18	Vee	Negative voltage output
19(A)	LED+	Power supply for BKL(4.2V)
20(K)	LED-	Power supply for BKL(GND)

ABSOLUTE MAXIMUM RATINGS

ITEM	SYMBOL	MIN	MAX	UNIT
POWER SUPPLY (LOGIC)	Vdd	-0.3	7.0	V
POWER SUPPLY (LCD)	V0	Vdd-19.0	Vdd+0.3	V
INPUT VOLTAGE	Vin	-0.3	Vdd+0.3	V

ELECTRONICAL CHARACTERISTICS

ITEM	SYMBOL	CONDITON	STANDARD			UNIT
			MIN	TYP	MAX	
Input voltage	Vdd	+5V	4.7	5.0	5.5	V
Supply current	Idd	Vdd=5V	---	8	---	mA
Recommended LCD driving voltage for normal temp version module	Vdd-V0	0 °C	---	9.8	---	V
		25 °C	---	9.5	---	
		50 °C	---	9.3	---	
LED forward voltage	Vf	25 °C	---	4.2	4.5	V
LED forward current	If	25 °C	---	360	---	mA