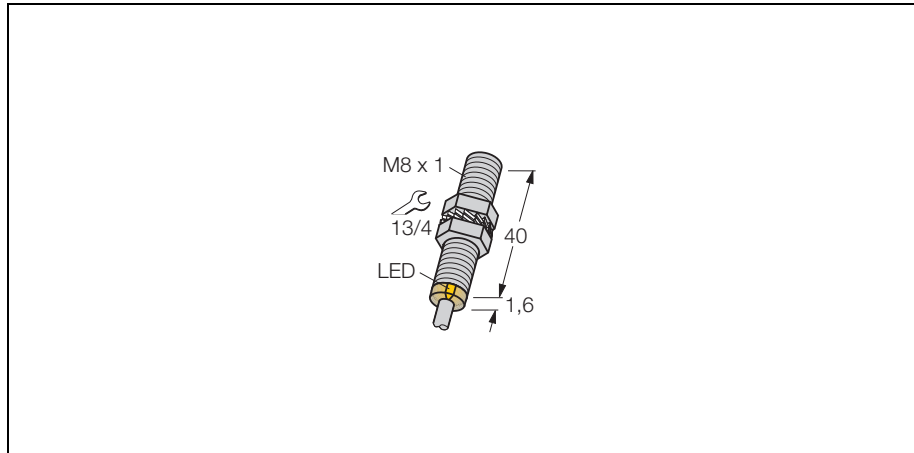
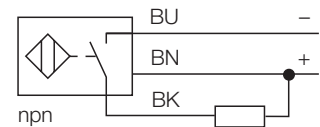


Inductive sensor with extended switching distance Bi2-EG08-AN6X



- threaded barrel, M8 x 1
- stainless steel, 1.4301
- extended switching distance
- 3-wire DC, 10...30 VDC
- normally open npn output
- cable connection

Wiring diagram



Function principles

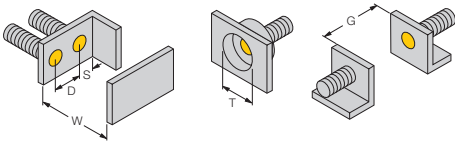
Inductive proximity switches are designed for wear-free non-contact detection of metal objects. For this they use a high-frequency electro-magnetic AC field that interacts with the target. With conventional inductive sensors, this field is generated by an LC resonant circuit with a ferrite core coil.

Type	Bi2-EG08-AN6X
Ident-No.	4602140
Rated operating distance S_n	2 mm
Mounting mode	flush
Hysteresis (switching distance)	3... 15 %
Min. repeat accuracy	≤ 2 %
Temperature drift	≤ ± 10 %
Operating temperature	-25 ... + 70 °C
Rated operational voltage (DC) U_B	10... 30 VDC
Max. ripple	≤ 10 % U_{pp}
Rated operational current (DC) I_e	≤ 150 mA
No-load current I_0	≤ 15 mA
Max. OFF-state current	≤ 0,1 mA
Max. switching frequency	≤ 3 kHz
Rated insulation voltage	≤ 0,5 kV
Output function	3-wire, normally open, NPN
Short-circuit protection	yes, cyclic
Max. voltage drop at I_e	≤ 1,8 V
Wire breakage / reverse polarity protection	yes / complete
Housing style	threaded barrel; M8 x 1
Dimensions	41,6 mm
Housing material	metal, A2 1.4301 (AISI 304)
Active face	plastic, PA12-GF20
Max. fixing torque of coupling nut	10 Nm
Wiring	cable
Cable	Ø 4, LifYY-11Y, PUR, 2 m
Cable cross section	3 x 0,25 mm ²
Vibration resistance	55 Hz (1 mm)
Shock resistance	30 x g (11 ms)
Degree of protection	IP67
Switching status indication	LED yellow

Inductive sensor with extended switching distance Bi2-EG08-AN6X

Mounting instructions	minimum gap
Gap D	2 x B
Gap W	3 x Sn
Gap T	3 x B
Gap S	1,5 x B
Gap G	6 x Sn

Diameter of active face B \varnothing 8 mm



Inductive sensor with extended switching distance Bi2-EG08-AN6X

Accessories

Typ	Ident-No.	Description	Dimension drawing
BST-08B	6947210	fixing clamp with dead-stop; material: PA6	
QM-08	6945100	quick-mount fixing clamp with dead-stop; material: chrome-plated brass external thread M12 x 1	