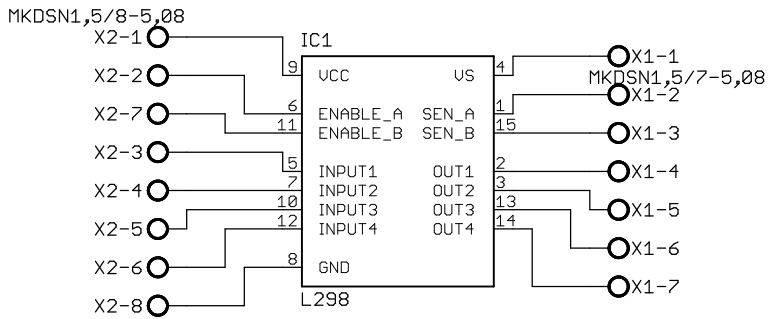


L298 "H" Bridge:



L298 "H" Bridge Pinouts:

- Pin 4: Supply Voltage: +12 Volts      Output 4: Ground to Track
- Pin 8: Ground
- Pin 9: Logic Supply: +5 Volts
- Pin 10: Input 3 - Stamp Pin 1
- Pin 11: Enable B: +5 Volts
- Pin 12: Input 4: Stamp Pin 4
- Pin 13: Output 3: +12 volts to Track