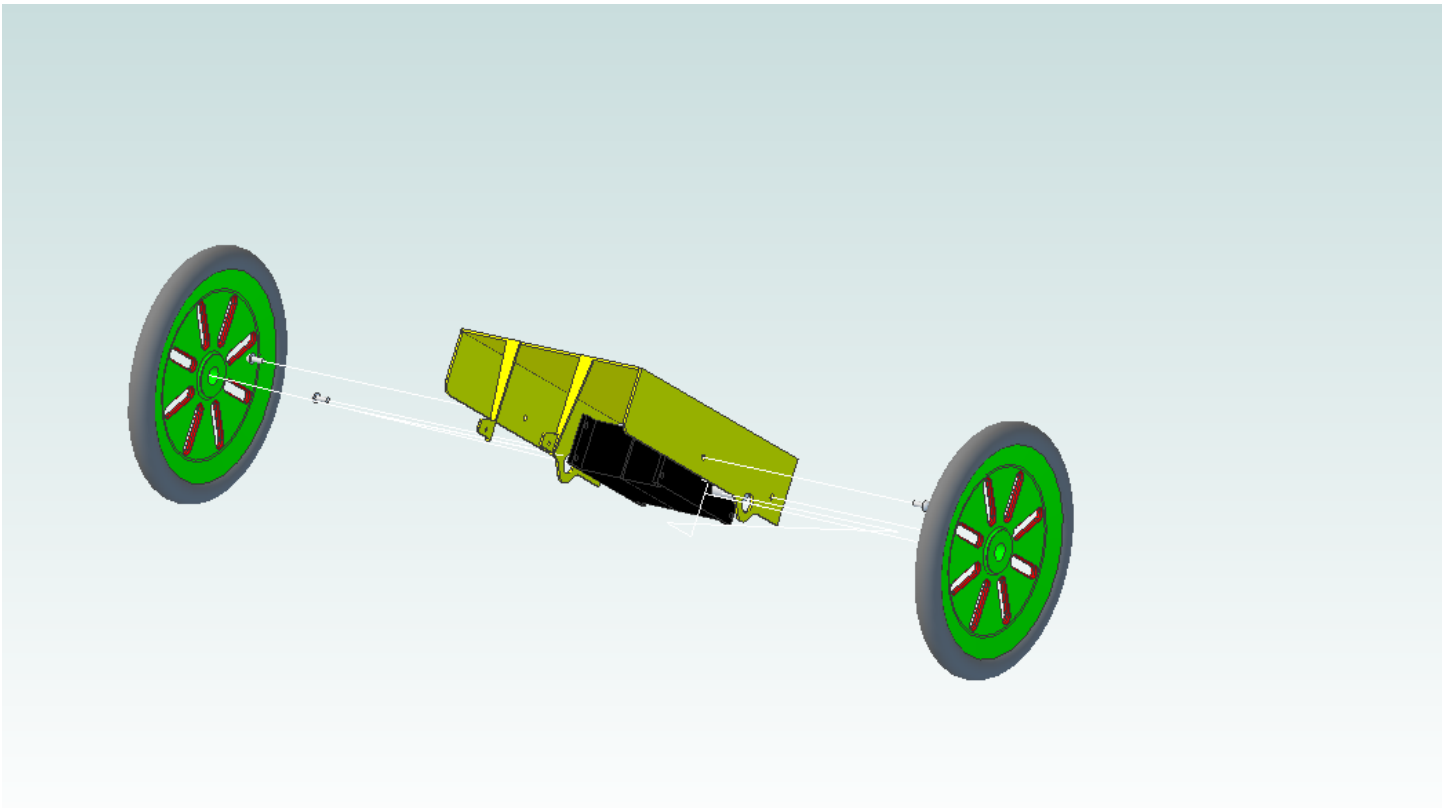


## Exploded view, with steps



### Explode

Wheel 1 : Place the wheel

Wheel 2 : Do the same with the second wheel

Bolt1 : Let's fix the servo..

Bolt2 : Keep on...

Bolt3 : and on...

Bolt4 : And on...

Servo 2 : Insert 2nd servo

Servo1 : Put servo 1

### Implode

### Reset

Starts unexploded