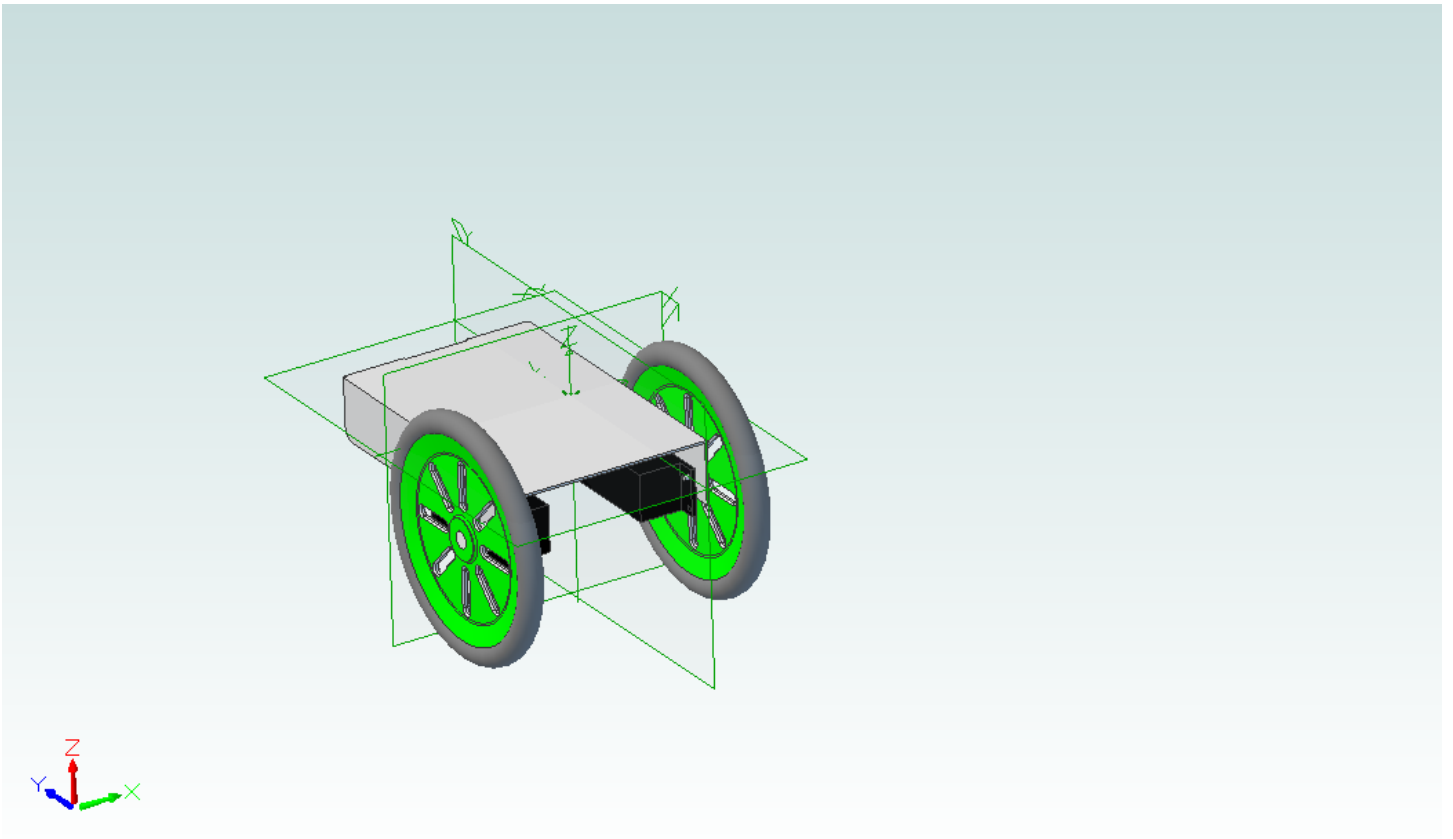
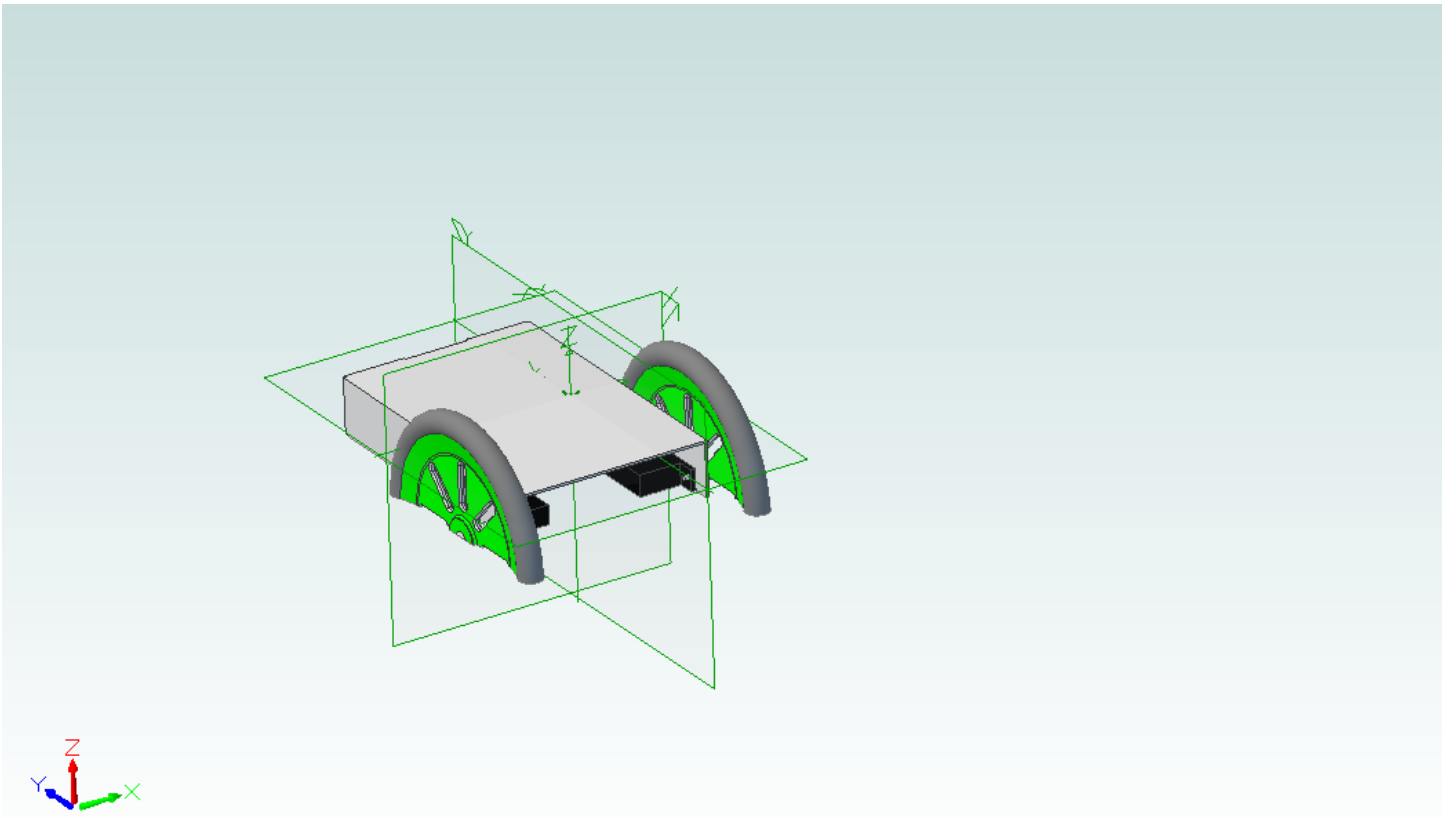


The title



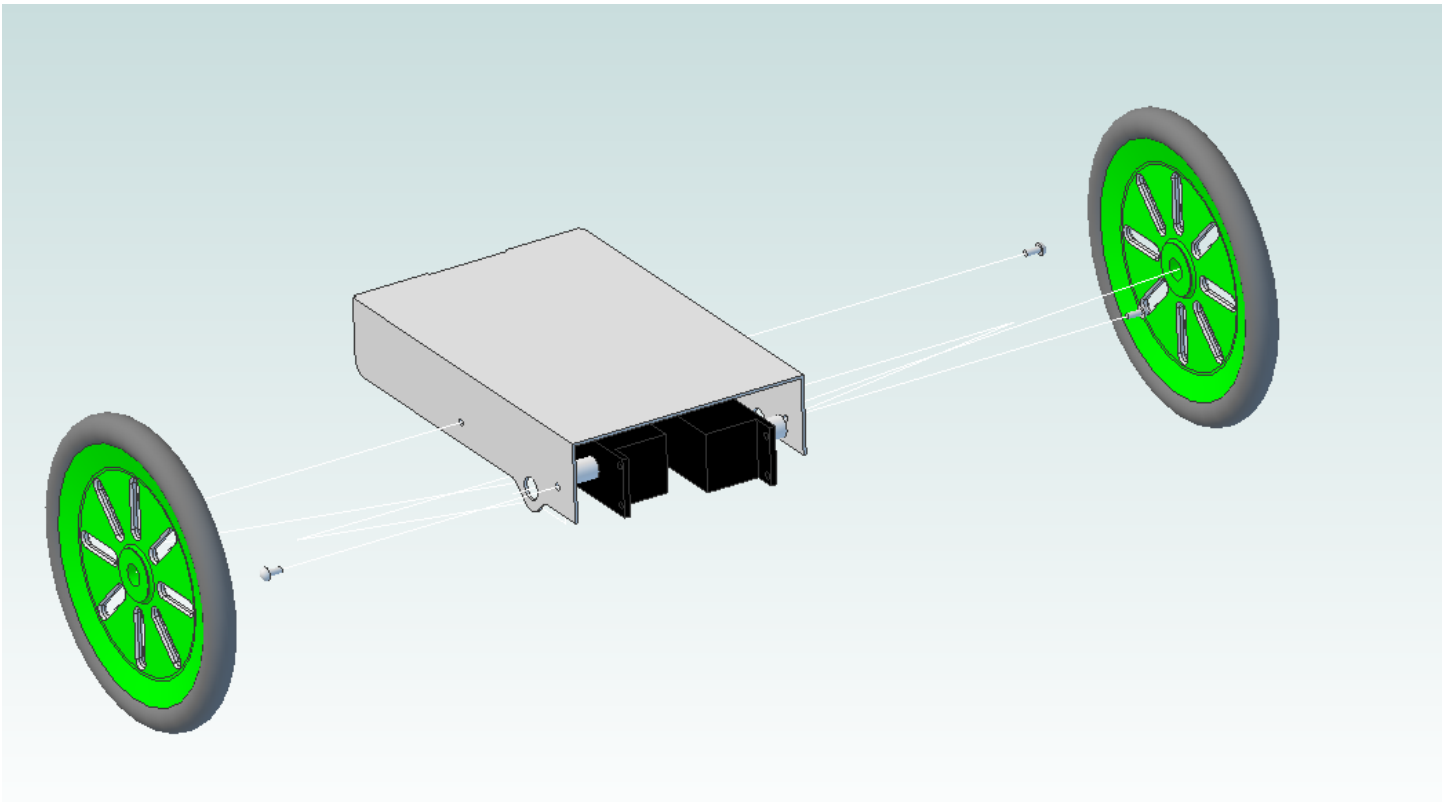
The footer

The title of the section view

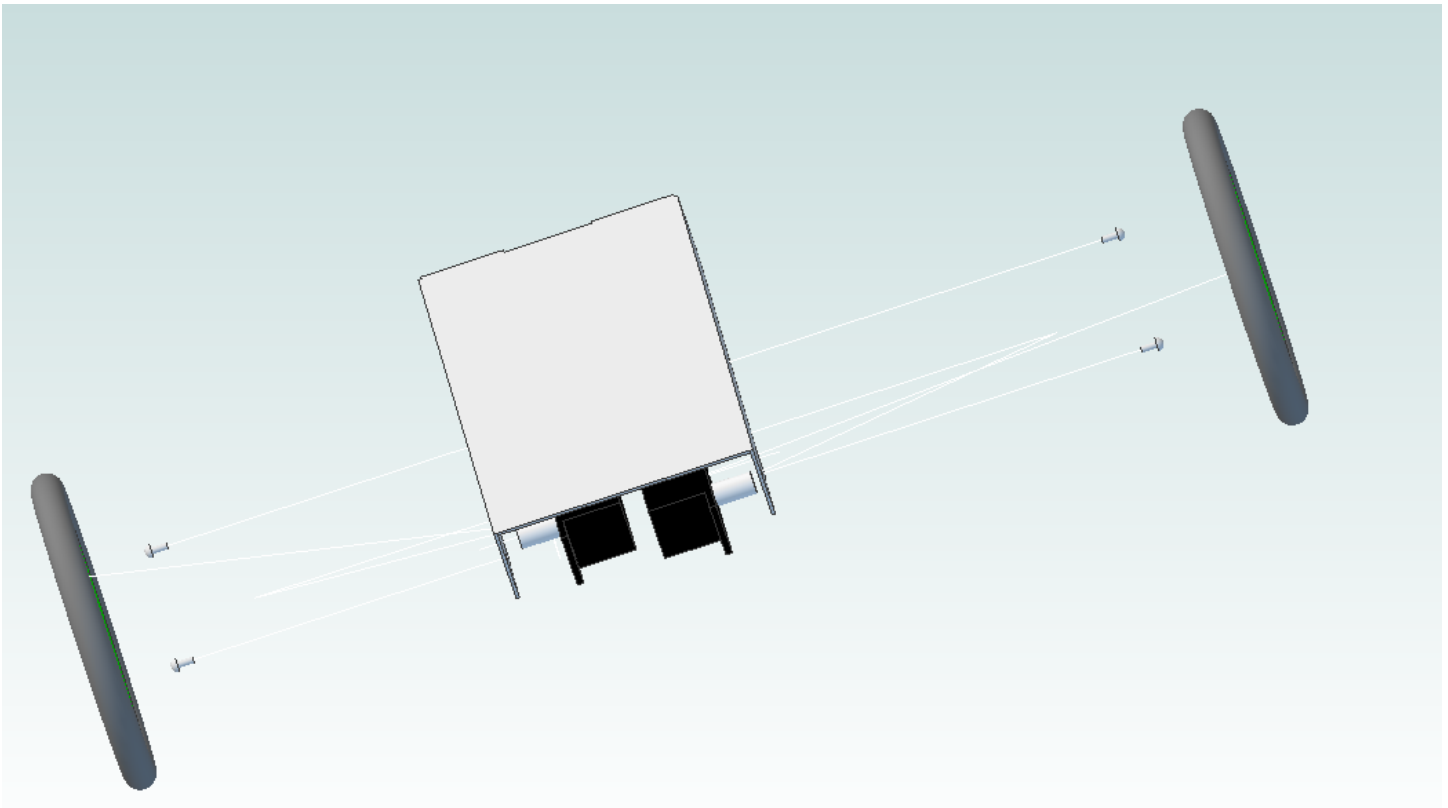


This is an impressive example of a section view.. Behold

Exploded view



Exploded view with steps



Explode

Servo1 : Put servo 1

Servo 2 : Insert 2nd servo

Bolt1 : Let's fix the servo..

Bolt2 : Keep on...

Bolt3 : and on...

Bolt4 : And on...

Wheel 1 : Place the wheel

Wheel 2 : Do the same with the second wheel

Implode

Reset