

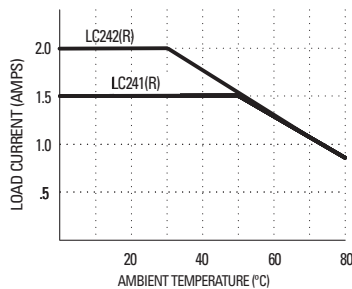


- Compact for High Density PCB Mount
- DC Control, AC Output
- Zero Voltage and Random Turn-On Switching
- Cost effective solution
- Utilizes Crydom High Performance No Snubber Triac

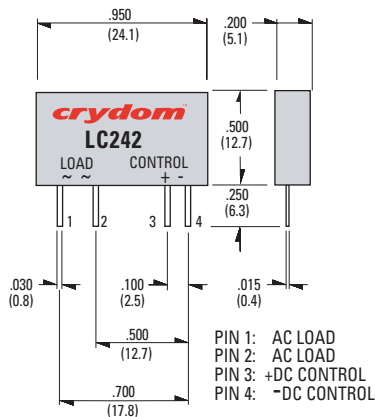
The LC series is rated up to 2.0A (SPST-NO) and is designed for general purpose a.c. loads. In most applications a snubber is not required. Zero-cross and random turn-on (suffix "R") version available.

Manufactured in Crydom's ISO 9001 Certified production facility for optimum product performance and reliability.

CURRENT DERATING CURVES



LC Max. Load Current vs. Temp.



MODEL NO.	LC241	LC242
INPUT SPECIFICATIONS		
Control Voltage Range	4-10 Vdc	4-10 Vdc
Nominal Input Impedance	300 Ohm	300 Ohm
Typical Input Current @ 5 Vdc	15 mAdc	15 mAdc
Must Turn On Voltage	4.0 Vdc	4.0 Vdc
Must Turn Off Voltage	1.0 Vdc	1.0 Vdc
OUTPUT SPECIFICATIONS		
Operating Voltage Range (47-63 Hz)	12-280 Vrms	12-280 Vrms
Load Current Range	.025 - 1.5Arms	.025 - 2.0Arms
Transient Over-Voltage	600 Vpk	600 Vpk
Max. Surge Current, (16.6ms)	80 Apk	100 Apk
Min. Off-State dv/dt @ Max. Rated Voltage	500 V/μsec	500 V/μsec
Max. Off-State Leakage @ Rated Voltage	0.1 mArms	0.1 mArms
Max. On-State Voltage Drop @ Rated Current	1.5 Vpk	1.5 Vpk
Max. Turn-On Time ④	1/2 cycle	1/2 cycle
Max. Turn-Off Time	1/2 cycle	1/2 cycle
Power Factor (Min.) With Max. Load	0.5	0.5
GENERAL SPECIFICATIONS		
Dielectric Strength	2500 Vrms	
Insulation Resistance (Min.) @ 500 Vdc	10 ⁹ Ohm	
Max. Capacitance	8.0 pF	
Ambient Operating Temperature Range	-40 to 80°C	
Ambient Storage Temperature Range	-40 to 125°C	
MECHANICAL SPECIFICATIONS		
Weight: (typical)	0.15 oz. (4.3 g)	
Encapsulation:	UL94V-0 Molded epoxy	

GENERAL NOTES

© 2005 CRYDOM CORP, Specifications subject to change without notice.

- ① All parameters at 25° C unless otherwise specified.
- ② Dielectric and insulation resistance measured between input and output.
- ③ Off-State dv/dt test method per EIA/NARM standard RS-443.
- ④ 0.1 msec for random turn-on version (R suffix).

APPROVALS

UL, cUL E116950