

BOTTOM CONNECTOR

TOP CONNECTOR

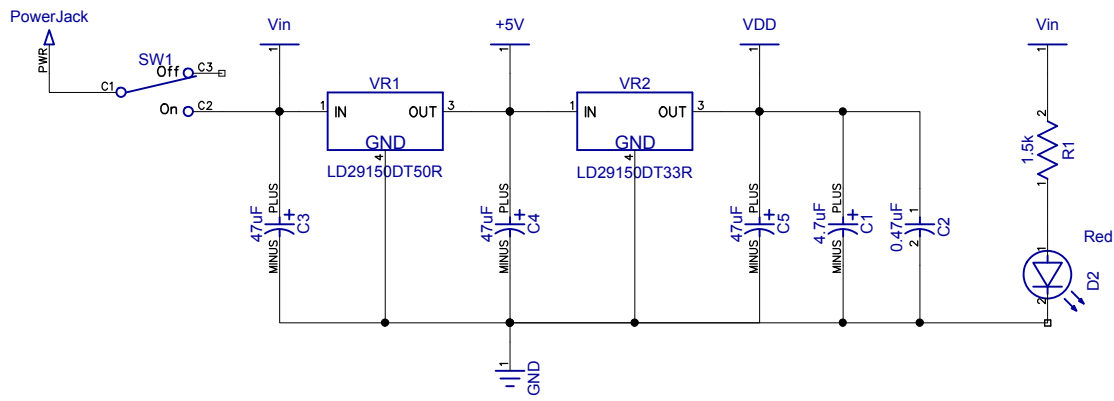
uSD Card Slot

Optional RTC (DS1307)

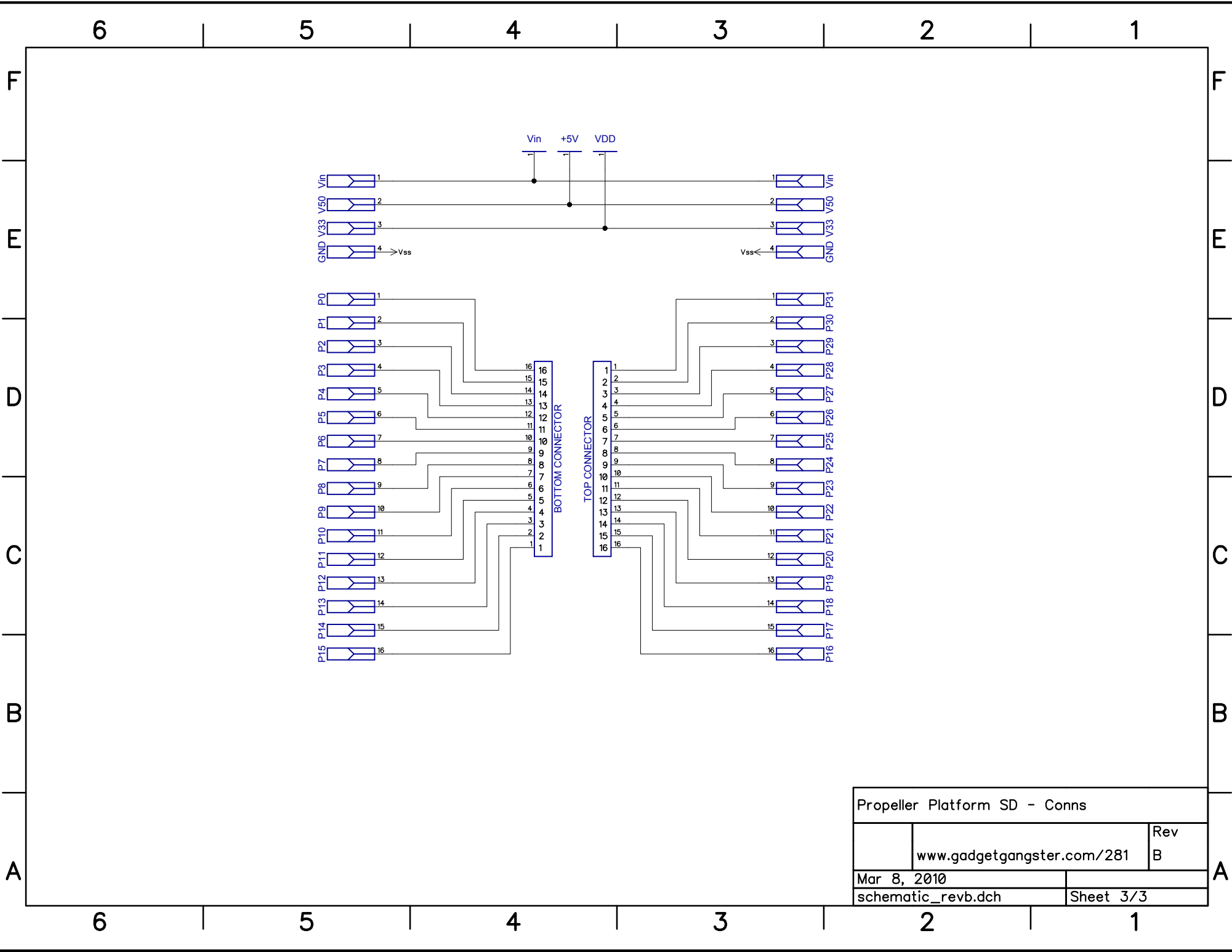
Propeller Platform SD - Main

		Rev B
www.gadgetgangster.com/281		
Mar 8, 2010		
schematic_revb.dch		Sheet 1/3

*Pre-programmed with Bootloader



Propeller Platform SD - Power	
www.gadgetgangster.com/281	Rev B
Mar 8, 2010	
schematic_revb.dch	Sheet 2/3



Propeller Platform SD - Conns		
	www.gadgetgangster.com/281	Rev B
Mar 8, 2010		
schematic_revb.dch	Sheet 3/3	