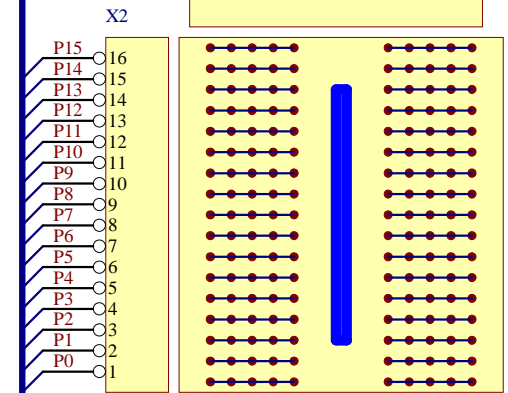
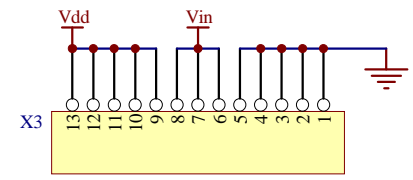
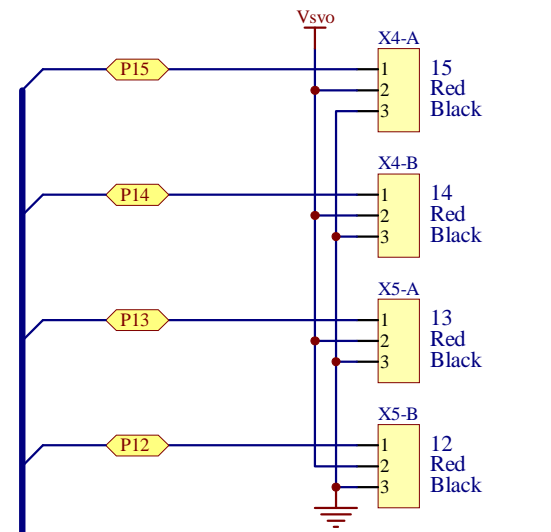
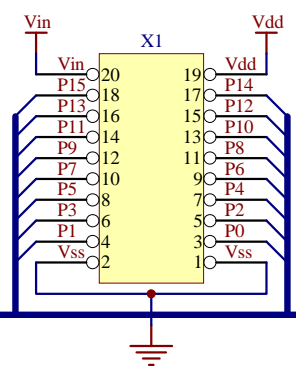
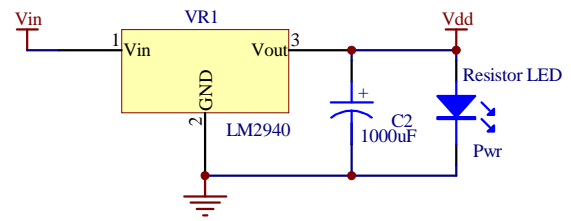
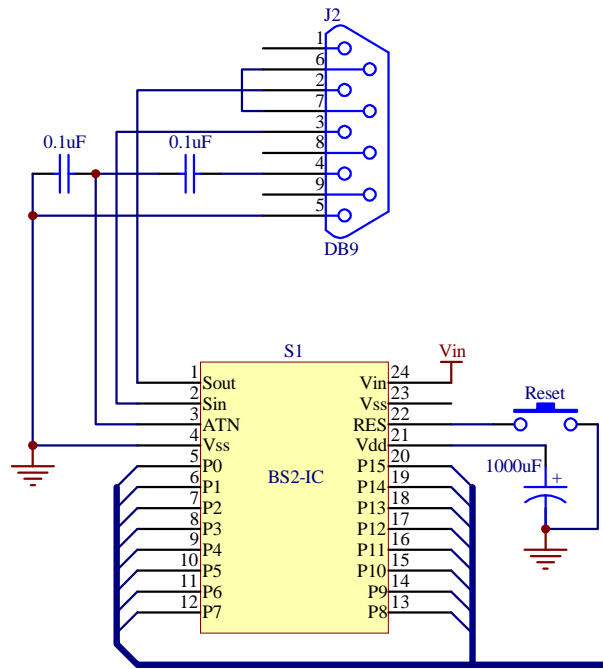


Note: The power jack and the battery are mechanically interlocked to ensure they are used mutually exclusively.



Prototype Area

Title		
Board of Education (Serial Version)		
Size	Number	Revision
A		C
Date:	13-Mar-2007	Sheet 1 of 1
File:	C:\sysadm\BOE_C Sch.DDB	Drawn By: John Barrowman