

# MARLIN P. JONES & ASSOC., INC.

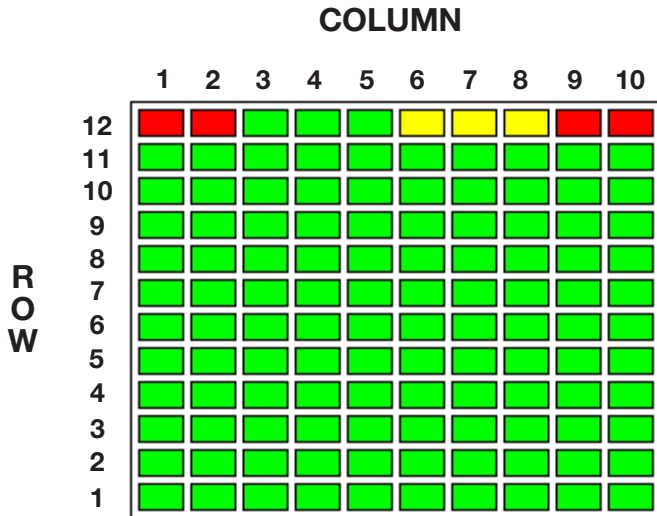
## 18050-OP

### GENERAL INFORMATION

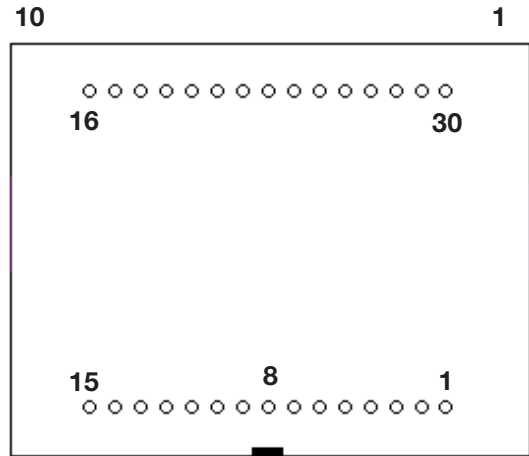
TYPE: X/YY Matrix

| Color  | Vf             | mCd | Dominant |
|--------|----------------|-----|----------|
| RED    | 1.9 Typ @ 20mA | 3-7 | 660nm    |
| GREEN  | 2.1 Typ @ 20mA | 3-5 | 565nm    |
| YELLOW | 2.2 Typ @ 20mA | 3-5 | 585nm    |

Dot Size: Rect. 5.5mm X 3mm  
 Spacing: 2mmH/V between Dots  
 Gray Face/Diffused White Lens  
 Size: 66mm X 48mm X 15mm



FRONT VIEW

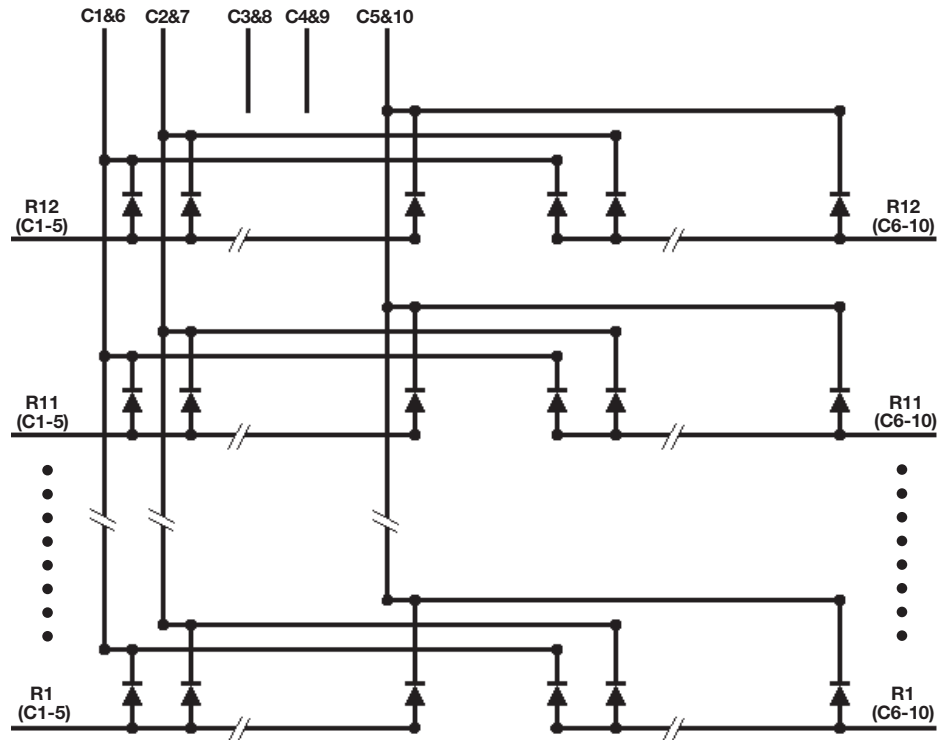


TAB ON BOTTOM CENTER

REAR VIEW

### PIN CONNECTIONS

| PIN | FUNCTION   | PIN | FUNCTION    |
|-----|------------|-----|-------------|
| 1   | R6 (C1-5)  | 30  | R7 (C1-5)   |
| 2   | R5 (C1-5)  | 29  | R8 (C1-5)   |
| 3   | R4 (C1-5)  | 28  | R9 (C1-5)   |
| 4   | R3 (C1-5)  | 27  | R10 (C1-5)  |
| 5   | R2 (C1-5)  | 26  | R11 (C1-5)  |
| 6   | R1 (C1-5)  | 25  | R12 (C1-5)  |
| 7   | C1&6       | 24  | C5&10       |
| 8   | C2&7       | 23  | NC          |
| 9   | C3&8       | 22  | C4&9        |
| 10  | R1 (C6-10) | 21  | R12 (C6-10) |
| 11  | R2 (C6-10) | 20  | R11 (C6-10) |
| 12  | R3 (C6-10) | 19  | R10 (C6-10) |
| 13  | R4 (C6-10) | 18  | R9 (C6-10)  |
| 14  | R5 (C6-10) | 17  | R8 (C6-10)  |
| 15  | R6 (C6-10) | 16  | R7 (C6-10)  |



WIRING DIAGRAM

