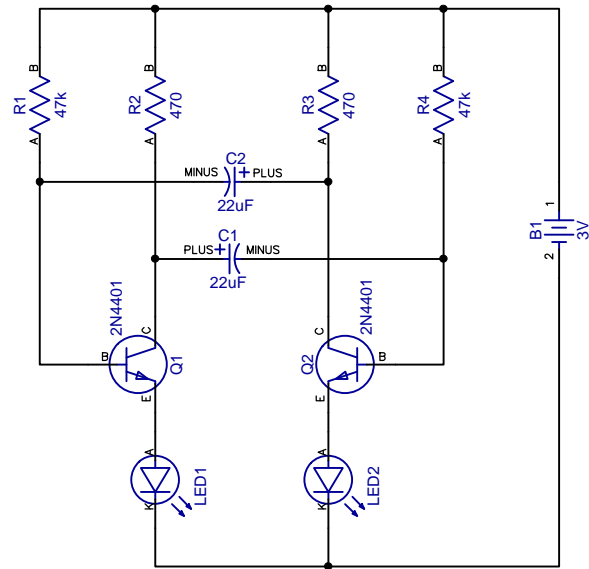


2

1

REVISIONS

ZONE	REV	DESCRIPTION	DATE	APPROVED
------	-----	-------------	------	----------



B

B

A

A

	SIZE	FSCM NO.	DWG NO.	REV
	SCALE		Sheet 1	

2

1