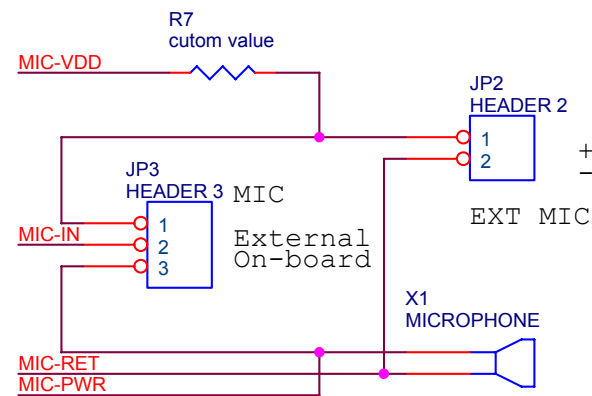
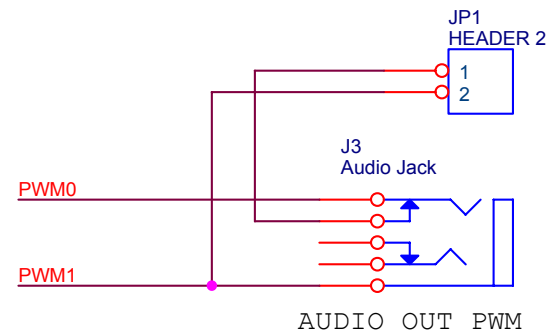
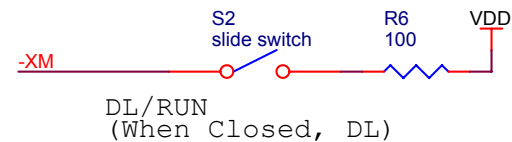
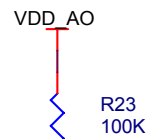
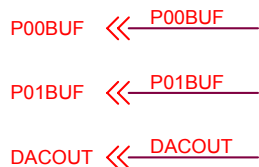
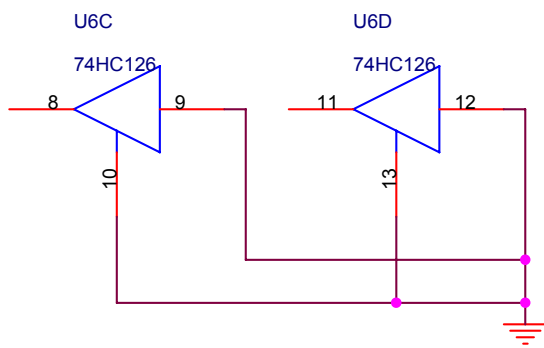
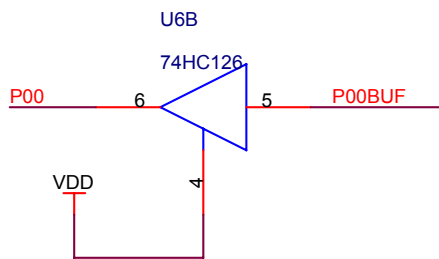
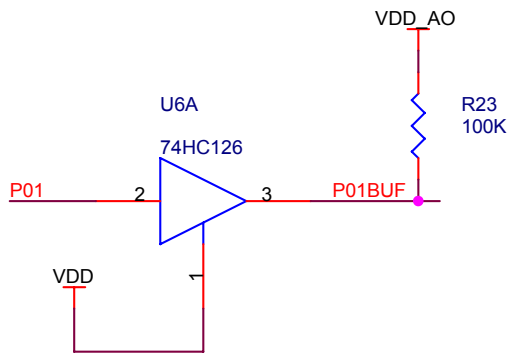
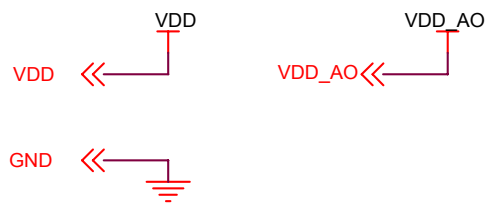
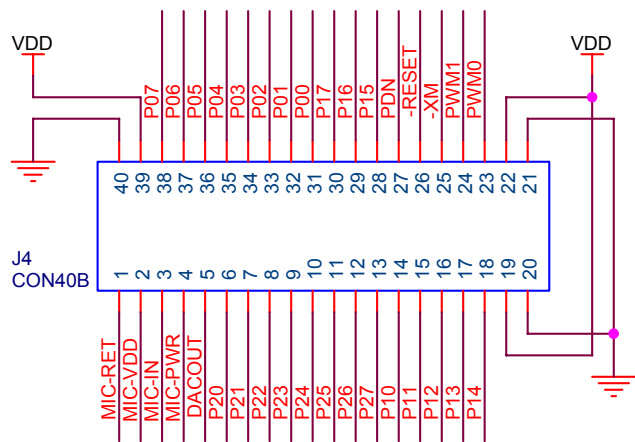
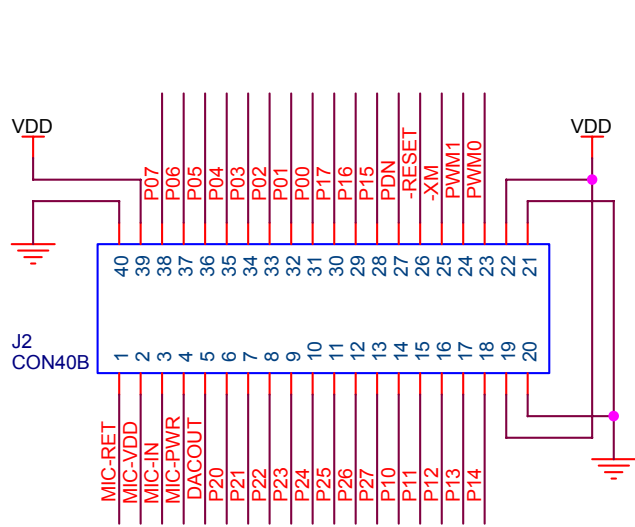
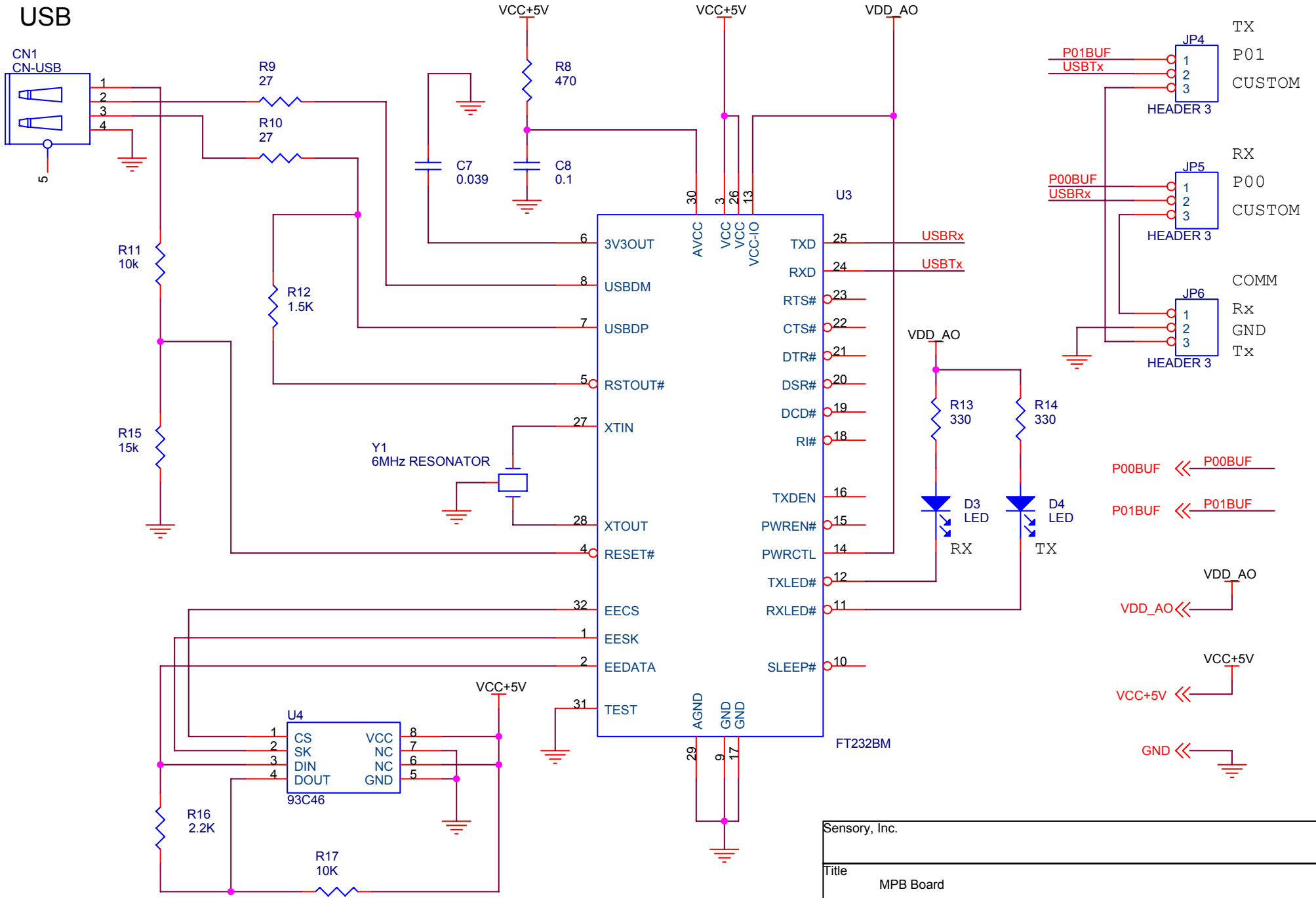


Sensory, Inc.		
Title MPB Board		
Size A	Document Number 70-0069	Rev C
Date: Friday, January 26, 2007	Sheet 1	of 4

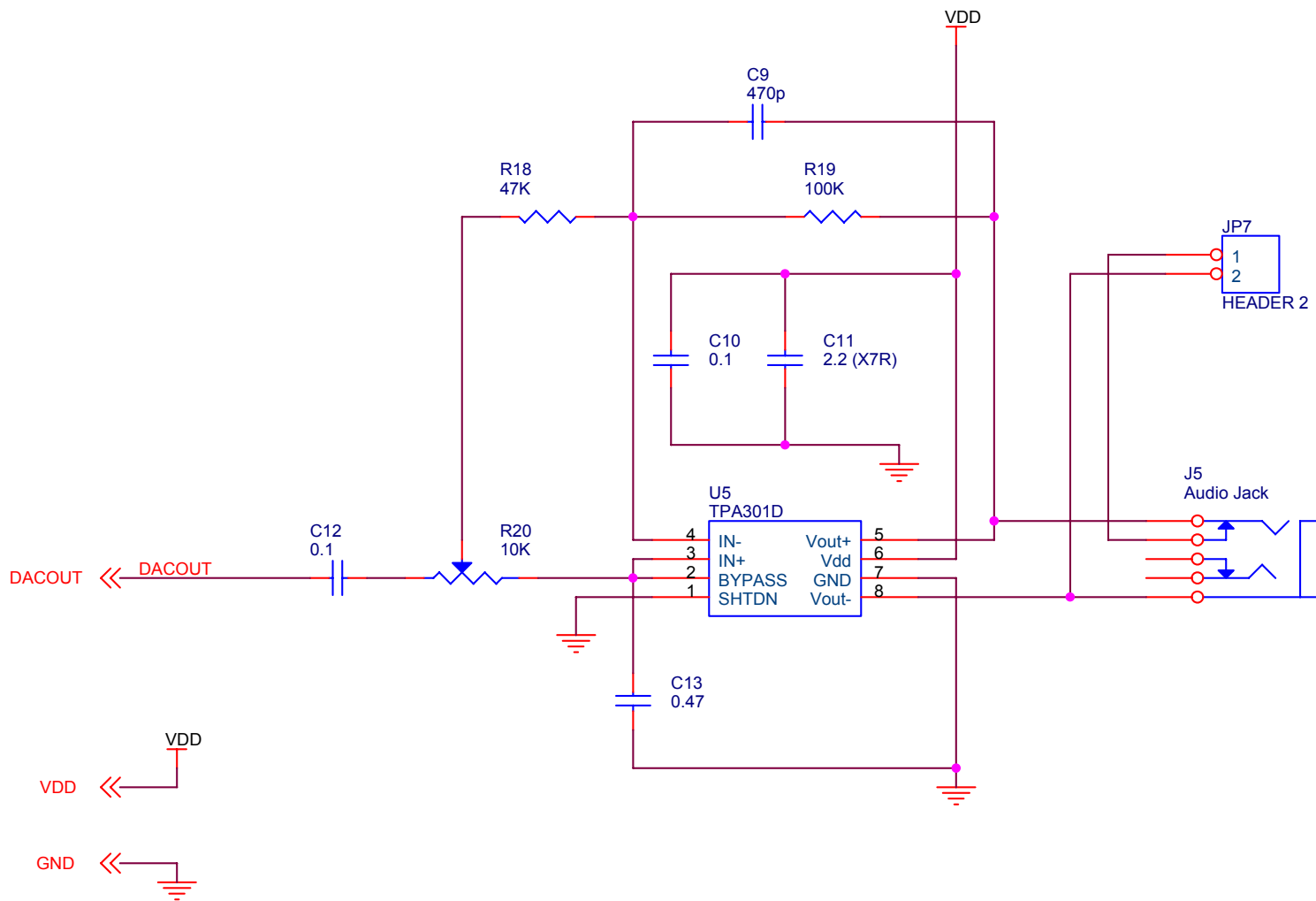


Sensory, Inc.		
Title MPB Board		
Size A	Document Number 70-0069	Rev. C
Date: Friday, January 26, 2007	Sheet 2	of 4

USB



Sensory, Inc.		
Title MPB Board		
Size A	Document Number 70-0069	Rev. C
Date: Friday, January 26, 2007	Sheet 3	of 4



Sensory, Inc.		
Title MPB Board		
Size A	Document Number 70-0069	Rev. C
Date: Friday, January 26, 2007	Sheet 4 of 4	