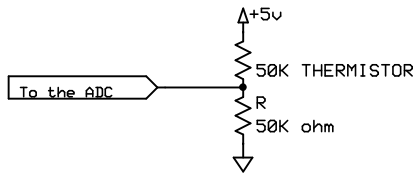
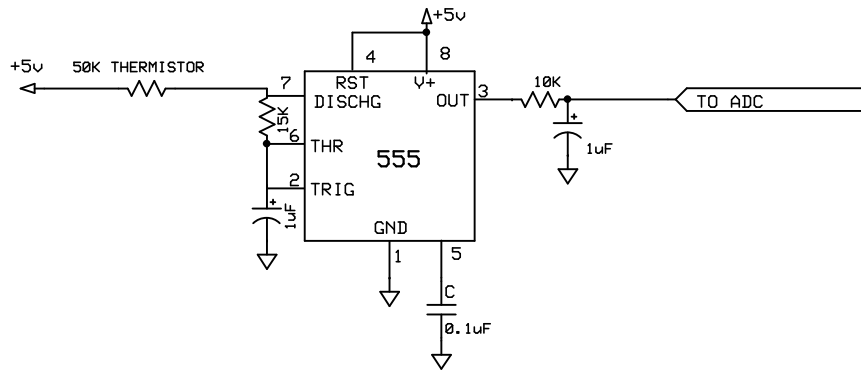
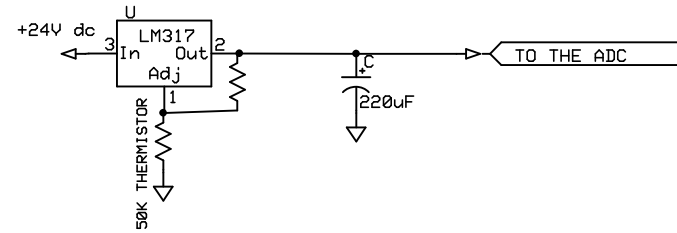


My first tried experiment



My 2nd tried had the 2x resistors worked to a formula i could not found now



My 3rd tried with no cap and resistance calculation knowledge

Company Name		
Schematic Name		
Designer's name	Rev 1.0 2006/10/03	Page # or name