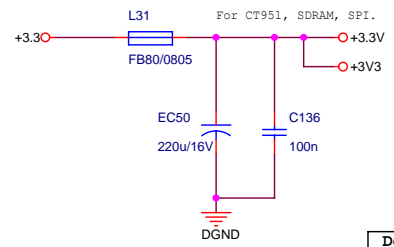
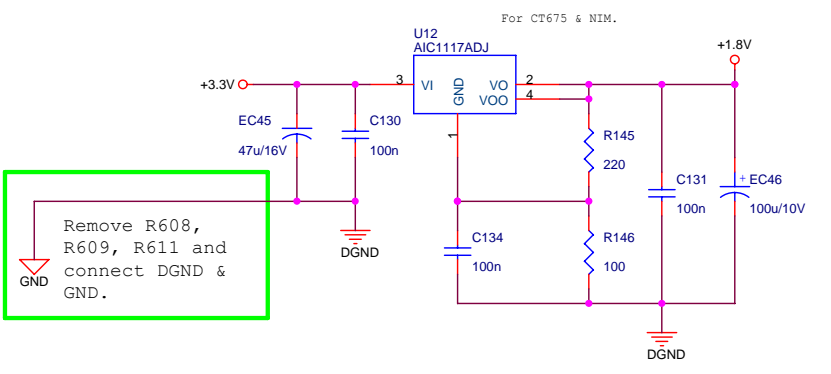
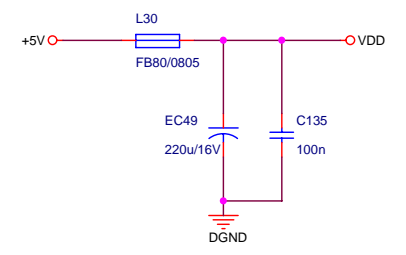
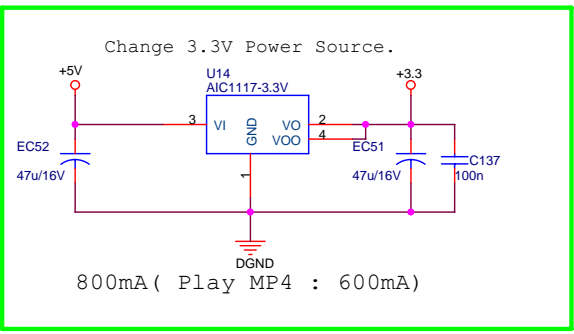
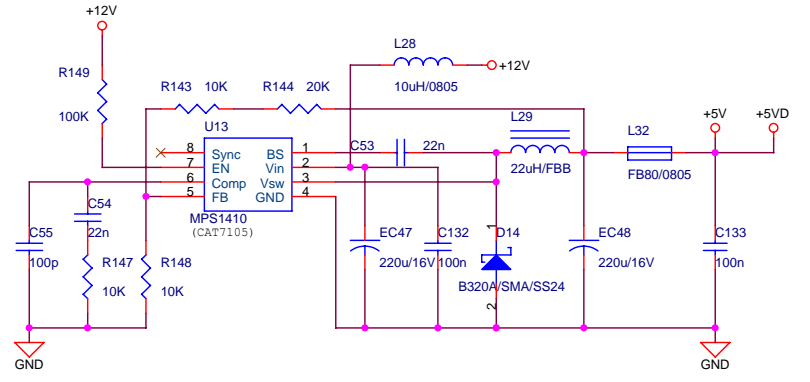
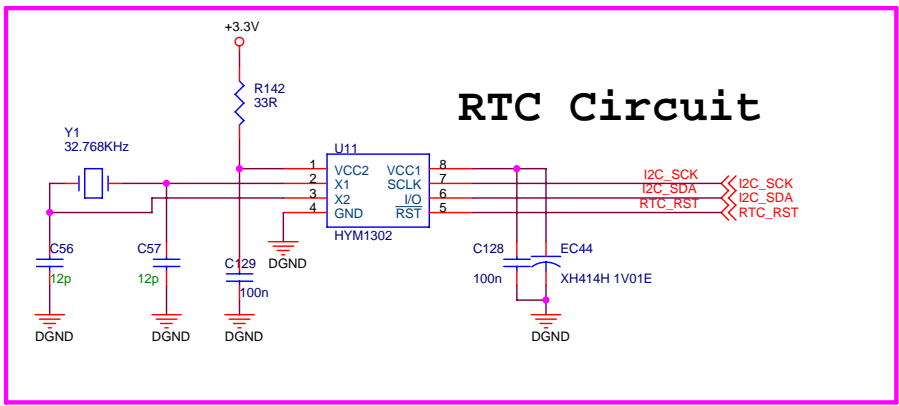
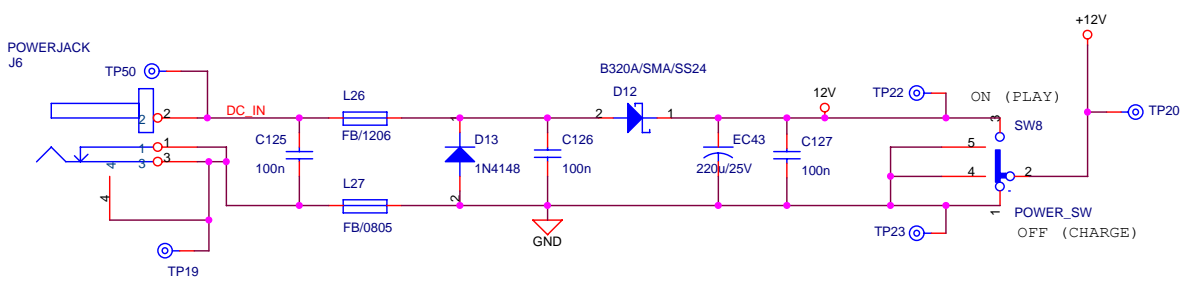


Design:	MODEL: PF7301	TITLE:frame drawing
Checked:	PART NO.:	DWG NO.:PF7301-YL01-01
Apprd:	SHEET: 1 OF 8	VER: A
SHEN ZHEN MTC MULTIMEDIA CO.,LTD		

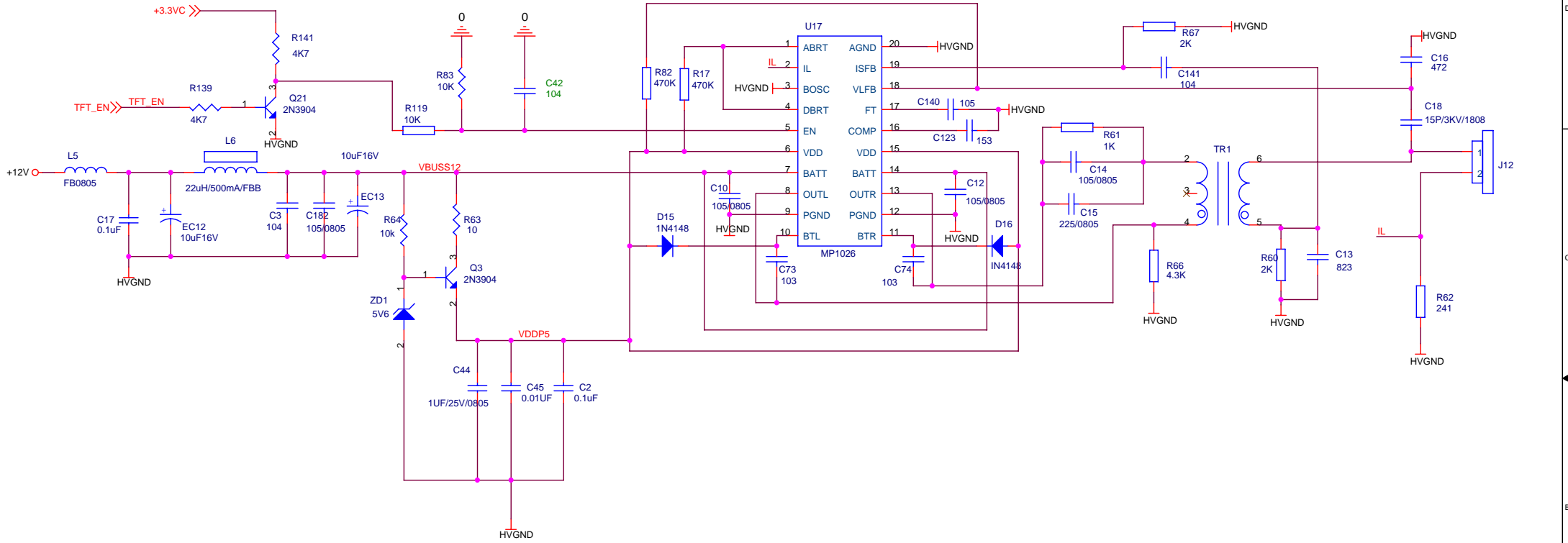
Design:	MODEL: PF-7301	TITLE: Cover page
Checked:	PART NO.:	DWG NO.:PF7301-YL01-01
Apprd:	SHEET: 8 pages	VER: A
SHEN ZHEN MTC MULTIMEDIA CO.,LTD		

表格编号: QR-RD-016A

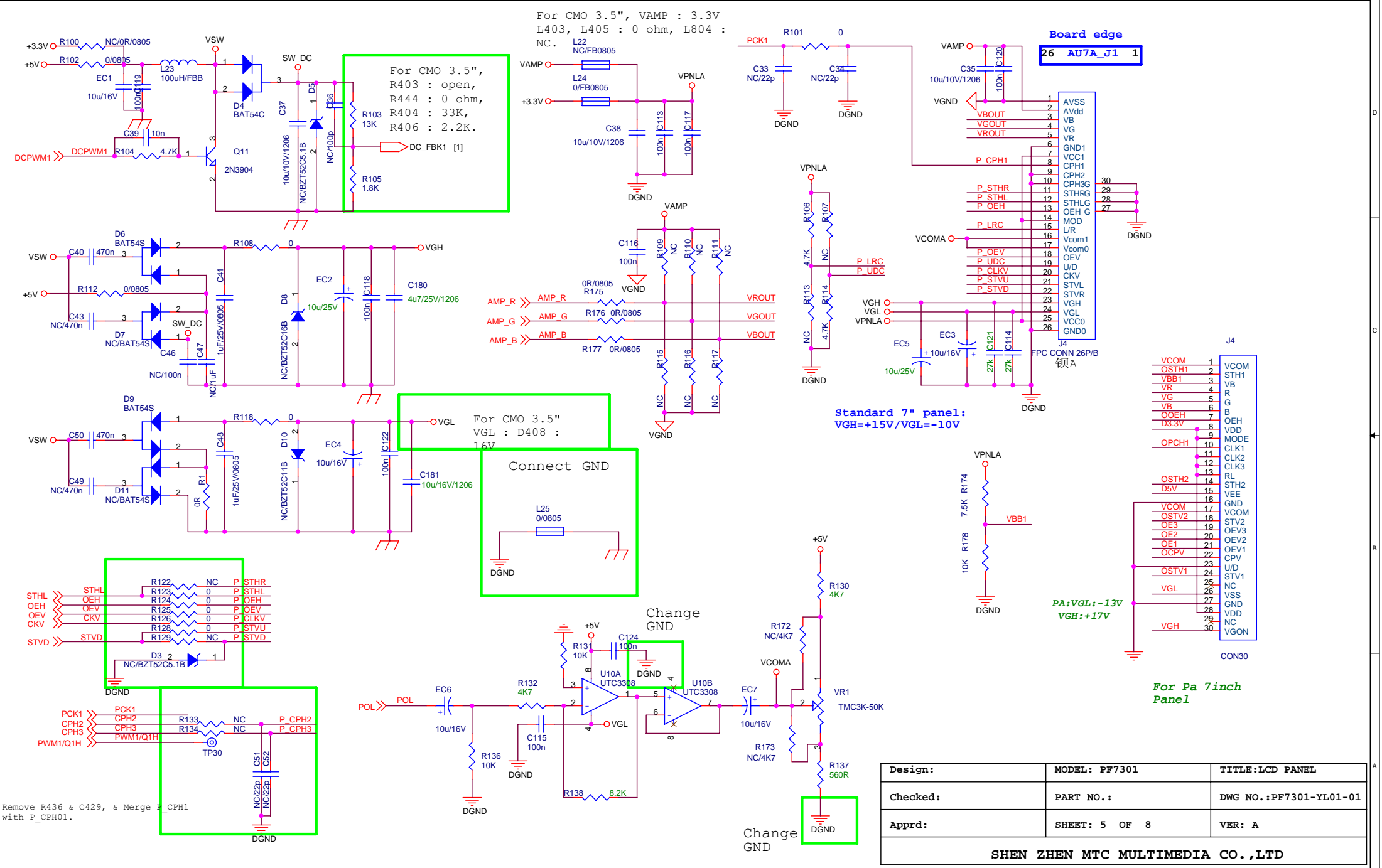


Design:	MODEL: PF7301	TITLE: POWER & RTC
Checked:	PART NO.:	DWG NO.: PF7301-YL01-01
Apprd:	SHEET: 7 OF 8	VER: A

SHEN ZHEN MTC MULTIMEDIA CO., LTD



Design:	MODEL: PF7301	TITLE: BACK-LIGHT
Checked:	PART NO.:	DWG NO.:PF7301-YL01-01
Apprd:	SHEET: 6 OF 8	VER: A
SHEN ZHEN MTC MULTIMEDIA CO.,LTD		



For CMO 3.5", VAMP : 3.3V
L403, L405 : 0 ohm, L804 : NC.

For CMO 3.5",
R403 : open,
R444 : 0 ohm,
R404 : 33K,
R406 : 2.2K.

For CMO 3.5"
VGL : D408 : 1.6V

Change GND

Change GND

Standard 7" panel:
VGH=+15V/VGL=-10V

PA:VGL: -1.3V
VGH: +17V

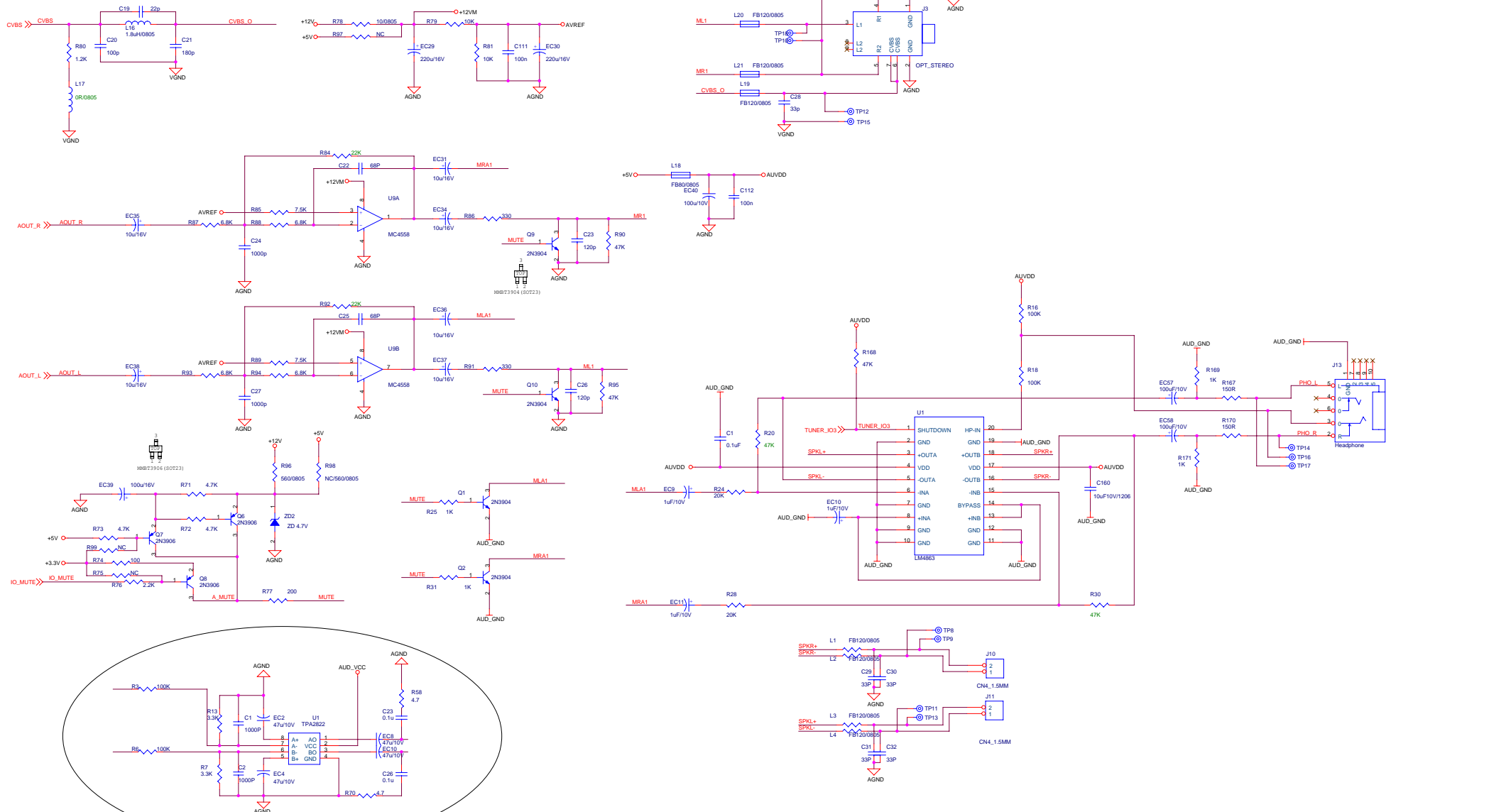
For Pa 7inch Panel

Remove R436 & C429, & Merge P_CPH1 with P_CPH01.

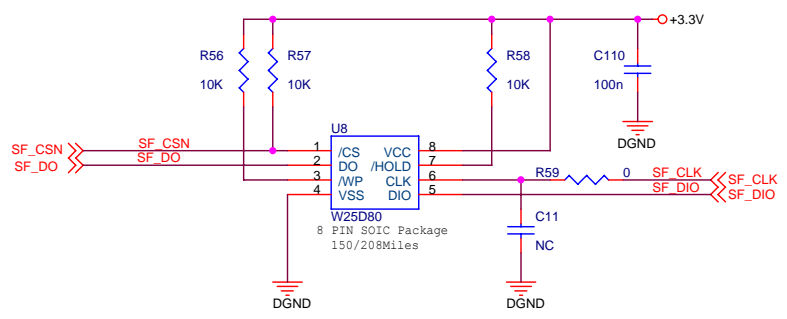
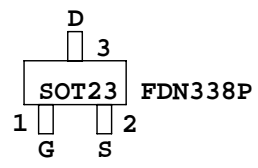
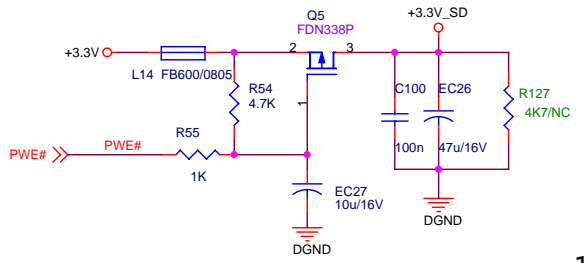
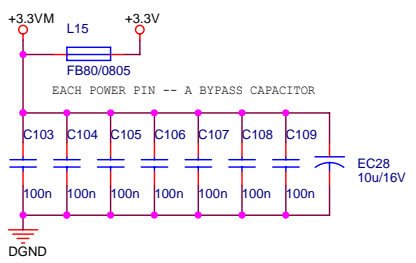
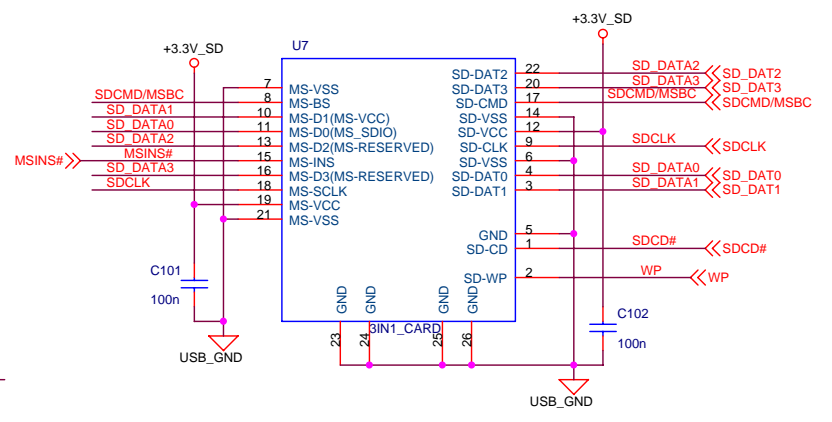
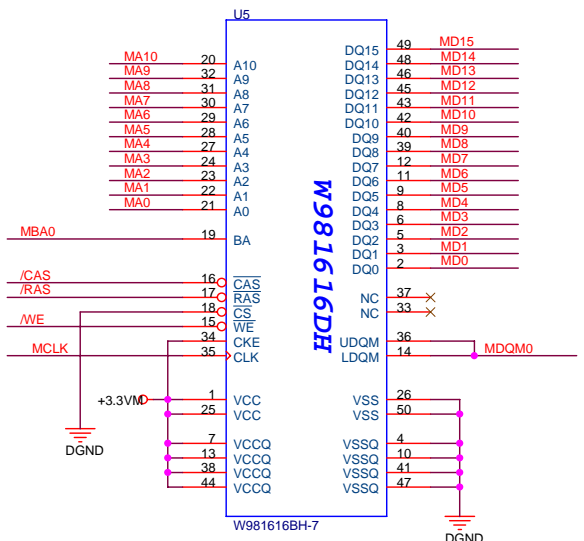
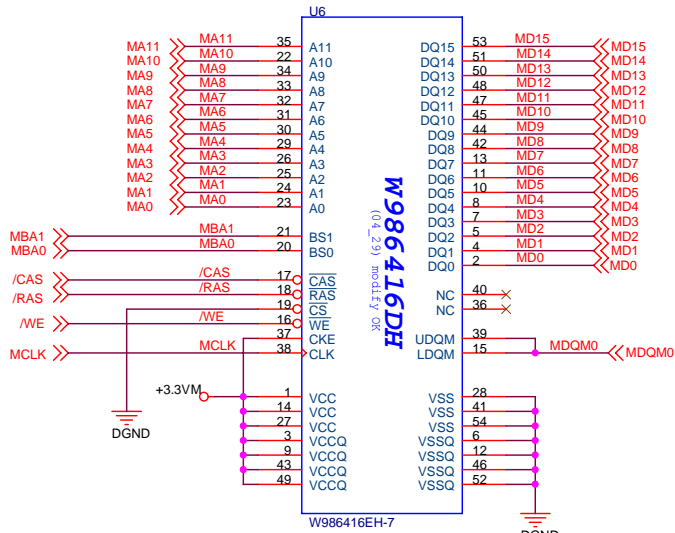
Board edge
26 AU7A_J1 1

VCOM	1	VCOM
OSTH1	2	STH1
VBB1	3	VB
VR	4	R
VG	5	G
VB	6	B
OE1	7	OE1
D3.3V	8	VDD
OPCH1	9	MODE
OSTH2	10	CLK1
D5V	11	CLK2
	12	CLK3
	13	RL
	14	STH2
	15	VEE
	16	GND
VCOM	17	VCOM
OSTV2	18	STV2
OE2	19	OE2
OE1	20	OE1
OCV1	21	CPV1
OCV2	22	CPV2
U/D	23	U/D
OSTV1	24	STV1
VGL	25	VSS
	26	GND
	27	VDD
	28	GND
	29	NC
	30	VGON

Design:	MODEL: PF7301	TITLE:LCD PANEL
Checked:	PART NO.:	DWG NO.:PF7301-YL01-01
Apprd:	SHEET: 5 OF 8	VER: A
SHEN ZHEN MTC MULTIMEDIA CO.,LTD		



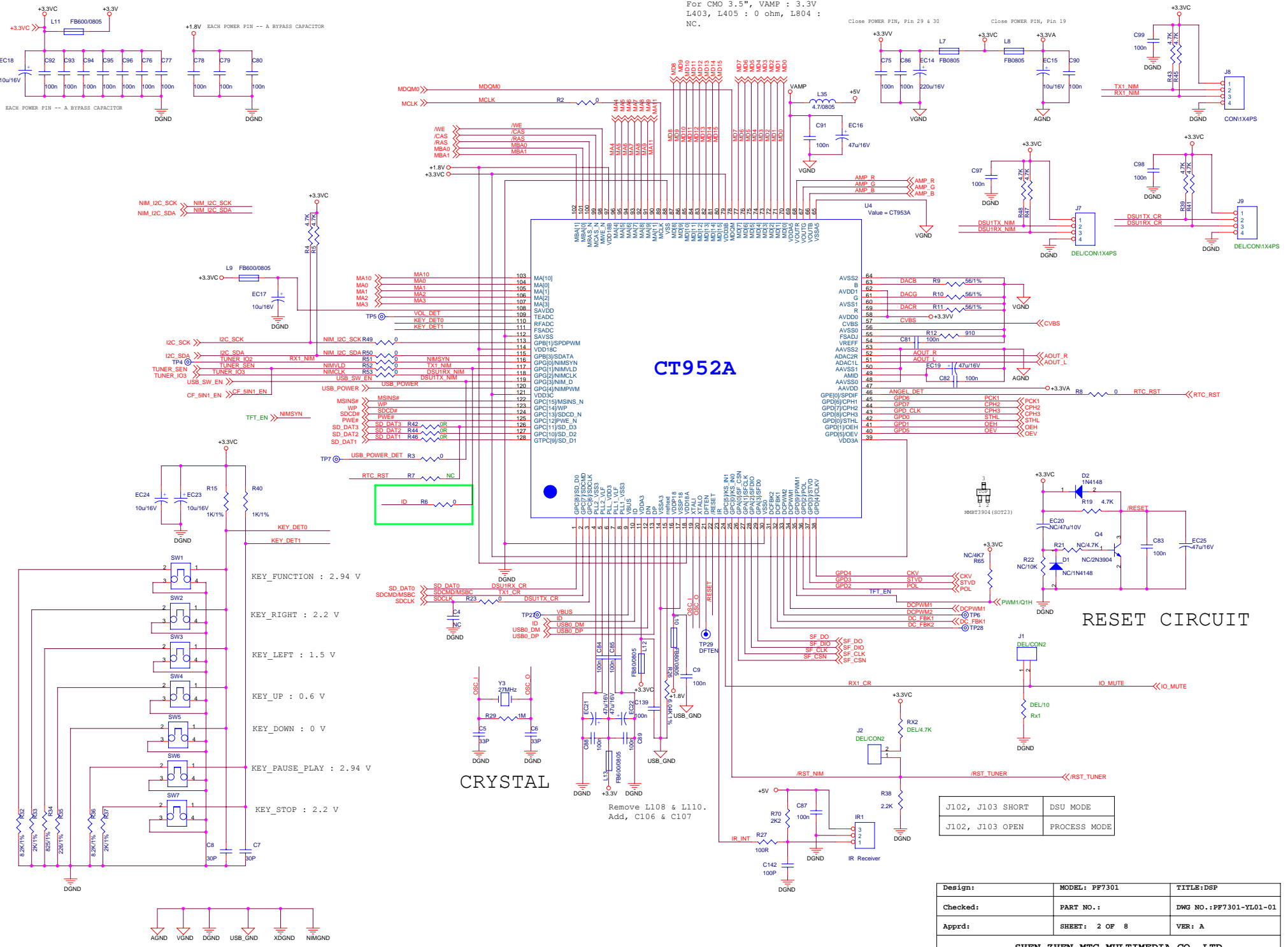
Design:	MODEL: PF7301	TITLE:VIDEO & AUDIO
Checked:	PART NO.:	DWG NO.:PF7301-YL01-01
Apprd:	SHEET: 4 of 8	VER: A
SHEN ZHEN MTC MULTIMEDIA CO., LTD		



Design:	MODEL: PF7301	TITLE:MEMORY
Checked:	PART NO.:	DWG NO.:PF7301-YL01-01
Apprd:	SHEET: 3 OF 8	VER: A

SHEN ZHEN MTC MULTIMEDIA CO.,LTD

For CMO 3.5", VAMP : 3.5V
L403, L405 : 0 ohm, L804 :
NC.



CT952A

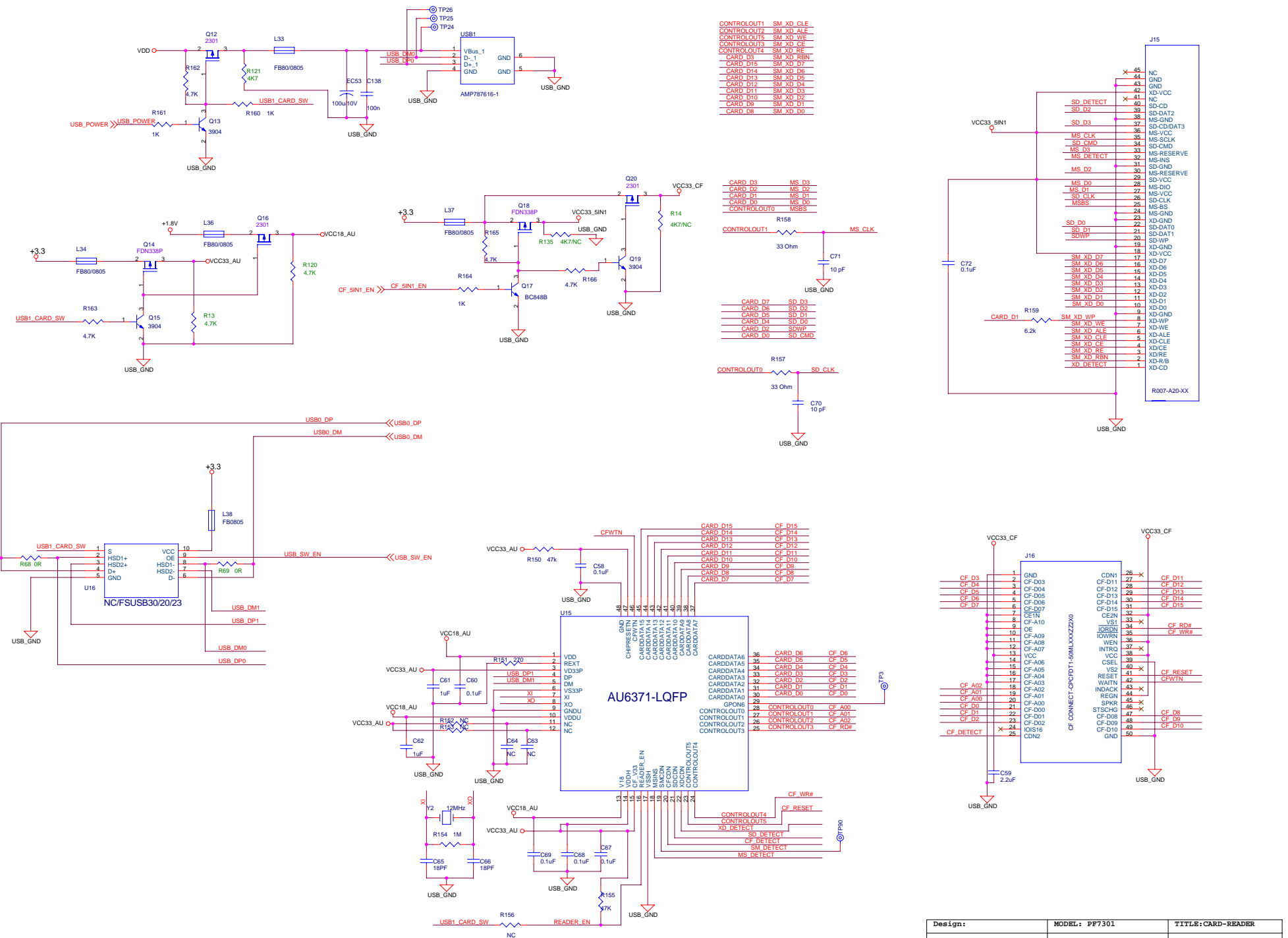
RESET CIRCUIT

CRYSTAL

Remove L108 & L110.
Add, C106 & C107

J102, J103 SHORT	DSU MODE
J102, J103 OPEN	PROCESS MODE

Design:	MODEL: PF7301	TITLE: DSP
Checked:	PART NO.:	DWG NO.: PF7301-YL01-01
Apprd:	SHEET: 2 OF 8	VER: A
SHEN ZHEN MTC MULTIMEDIA CO., LTD		



CONTROL0UT1 SM_XD_CLE
 CONTROL0UT2 SM_XD_ALE
 CONTROL0UT3 SM_XD_WIE
 CONTROL0UT3 SM_XD_CLE
 CONTROL0UT4 SM_XD_RE
 CARD_D3 SM_XD_FB01
 CARD_D15 SM_XD_D7
 CARD_D14 SM_XD_D6
 CARD_D13 SM_XD_D5
 CARD_D12 SM_XD_D4
 CARD_D11 SM_XD_D3
 CARD_D10 SM_XD_D2
 CARD_D9 SM_XD_D1
 CARD_D8 SM_XD_D0

CARD_D3 MS_D3
 CARD_D2 MS_D2
 CARD_D1 MS_D1
 CARD_D0 MS_D0
 CONTROL0T0 MSBS

CONTROL0UT1 R158
 33 Ohm
 MS_CLK

CARD_D7 SD_D3
 CARD_D6 SD_D2
 CARD_D5 SD_D1
 CARD_D4 SD_D0
 CARD_D2 SDWP
 CARD_D0 SD_CMD

CONTROL0T0 R157
 33 Ohm
 SD_CLK

Design:	MODEL: PF7301	TITLE: CARD-READER
Checked:	PART NO.:	DWG NO.: PF7301-YL01-01
Apprd:	SHEET: 8 OF 8	VER: A

SHEN ZHEN MTC MULTIMEDIA CO., LTD