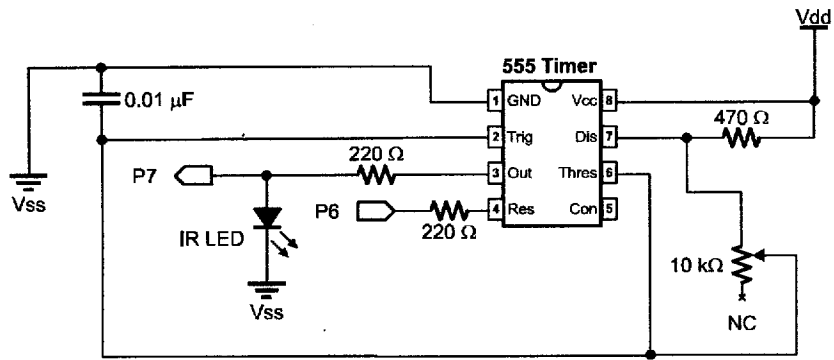


Figure C-1



C