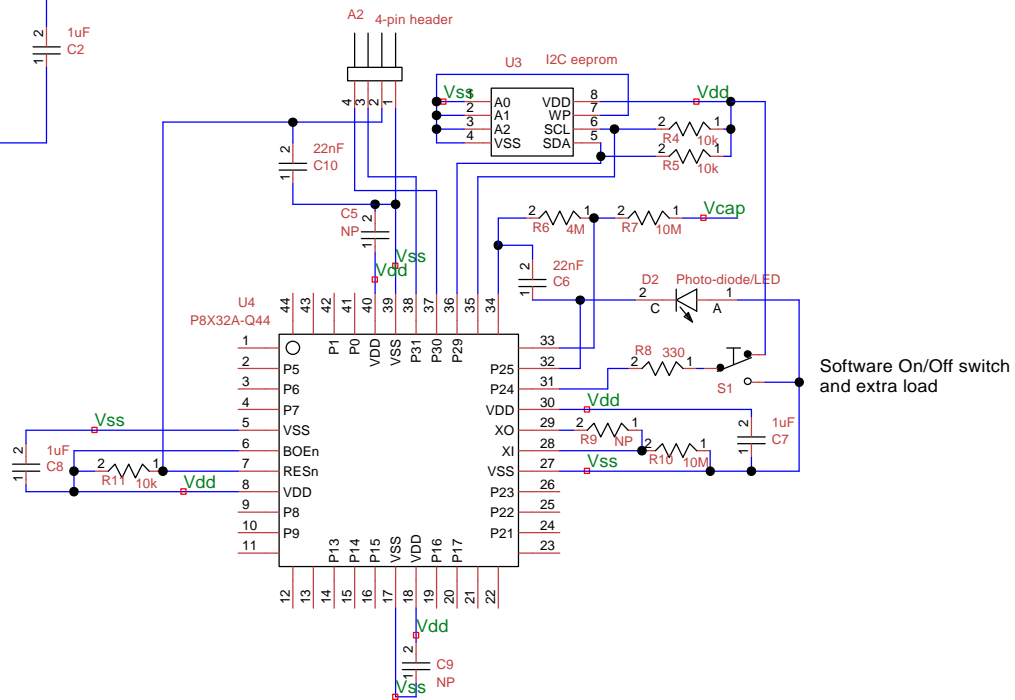


24-pins free
 U1 draws 2uA.
 clocked with RCSLOW U4 and U3 draw 1.5-10uA
 Just this circuit should run indefinitely in "dim office light"
 Fully charged C1,C4 should support the prop for a day or two.

Super-Cap operates at 5v
 Run Prop from cap with MIC5232 at 3v3
 use sampled voltage divider and code to limit cap voltage
 Off switch goes to a pin. Code then stops outputs



Title Micro Solar Prop		
Author Marty Lawson		
File \\ery\Schematic n layout\Micro_solar_prop01.dsn	Document	
Revision 1.0	Date 4/11/2013	Sheets 1 of 1