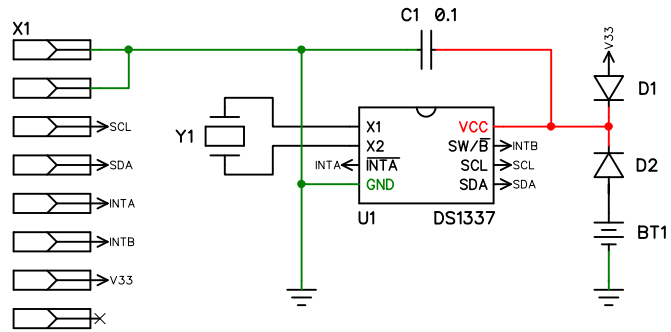


2

1



RefDes	Value	Type	Qty	Digikey
BT1	3v	12mm CLIP	1	BAT-HLD-012-SMT-ND
C1	0.1	0603	1	445-1325-2-ND
D1, D2	0.4v	SOD-123	2	568-4112-1-ND
U1	DS1337	SOIC-8	1	DS1337S+-ND
X1	0.1	1x8 F	1	929850-01-08-ND
Y1	32.678kHz	SOJ-4	1	300-8739-1-ND
			7	

EFX-TEK HC-8+ RTC Adapter

Size	Number	Rev
	hc8_rtc__2013_06-11.dch	B
Date: 11 JUN 2013		Drawn by JM
		Sheet 1 of 1

2

1