

5

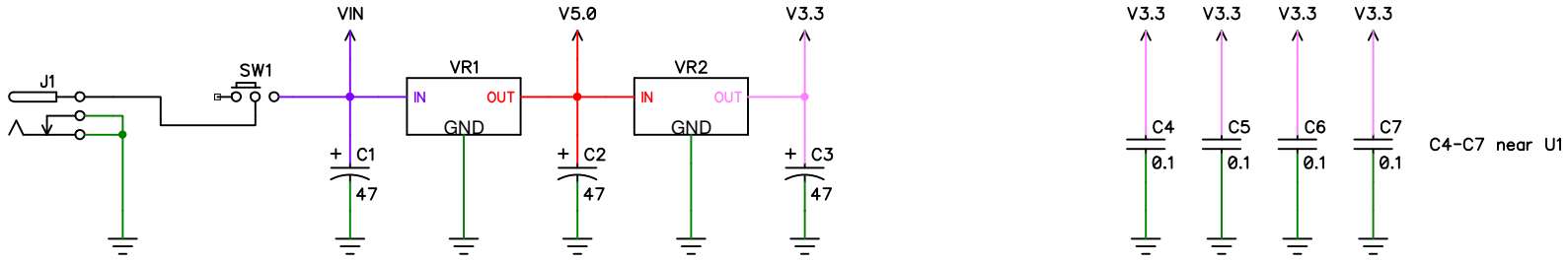
4

3

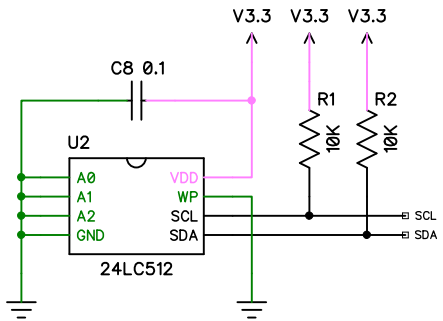
2

1

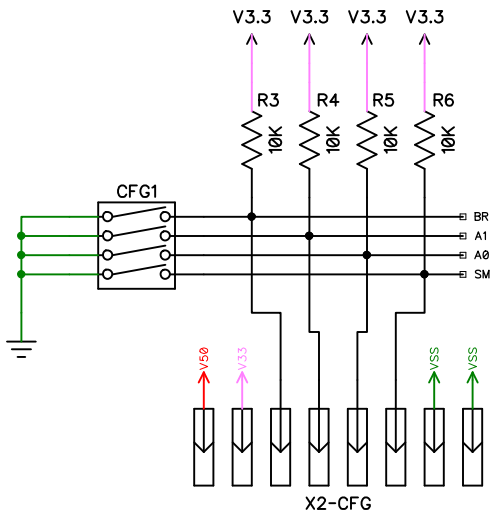
D



C



B



A

5

4

3

2

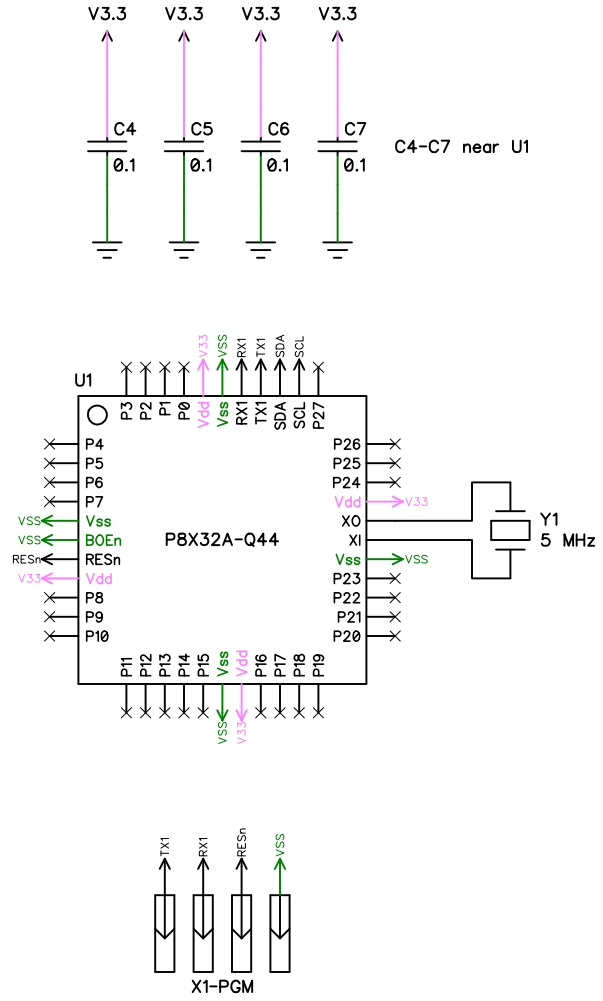
1

D

C

B

A



EFX-TEK XX-X+		
Size	Filename	Rev
A		A
Drawn by JW		Date: DD MMM YY
Checked by		Sheet 1 of 3