

X4 PIN FUNCTIONS (P8-P15)

- P15) Aux (I/O)
- P14) Serial in from MAX489E (I)
- P13) Serial out to MAX489E (O)
- P12) Transmit enable (O)
- P11) Address A8 (I)
- P10) 74x165 Clock (O)
- P9) 74x165 Data (I)
- P8) 74x165 Load control (O)

NOTES

- 1) Remove ULN2803 associated with P8-P15
- 2) Remove P12-P14 SETUP jumpers
- 3) Aux I/O may use P15 SETUP header
- 4) Insert JP1 if last device on line
- 5) R1 is 1/4W; all others 1/8W

DESIGN CHANGES

- 17 JAN 08 - Reconfigured I/O Connections
- 17 JAN 08 - Moved resistor R3
- 17 JAN 08 - Removed C2 (redundant)

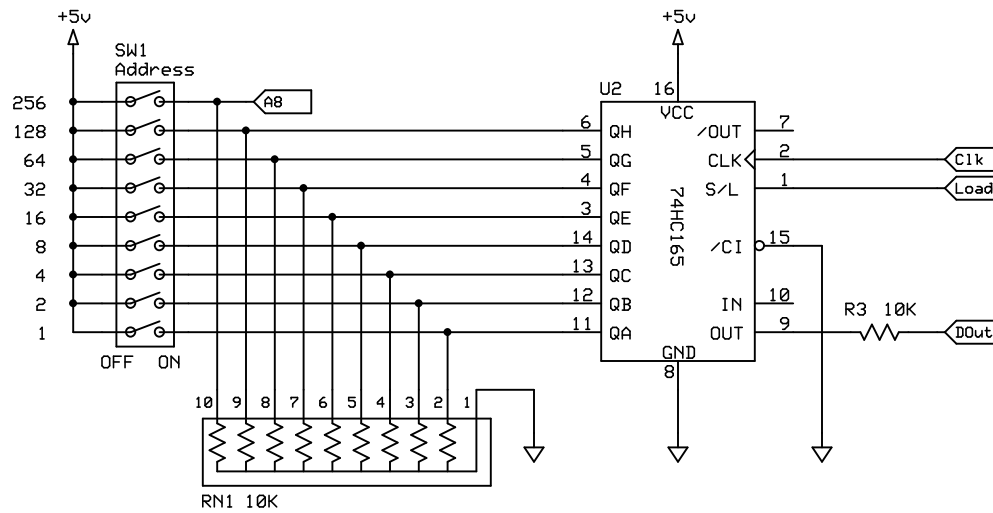
EFX-TEK

RS-485 Interface

J Williams

Rev 1.2
17 JAN 2008

Page 1 of 2



EFX-TEK

RS-485 Interface

J Williams

Rev 1.2
17 JAN 2008

Page 2 of 2