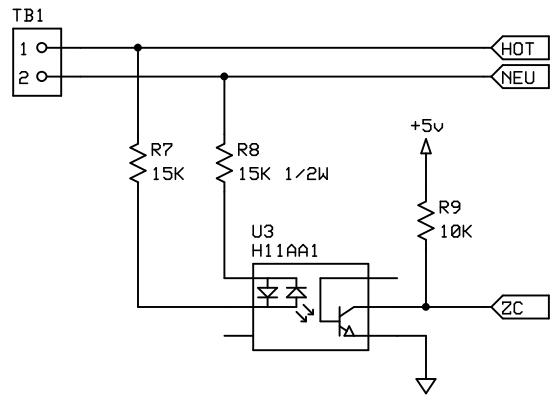


Remove U2 when connecting to X2 or X3 with TTL serial input

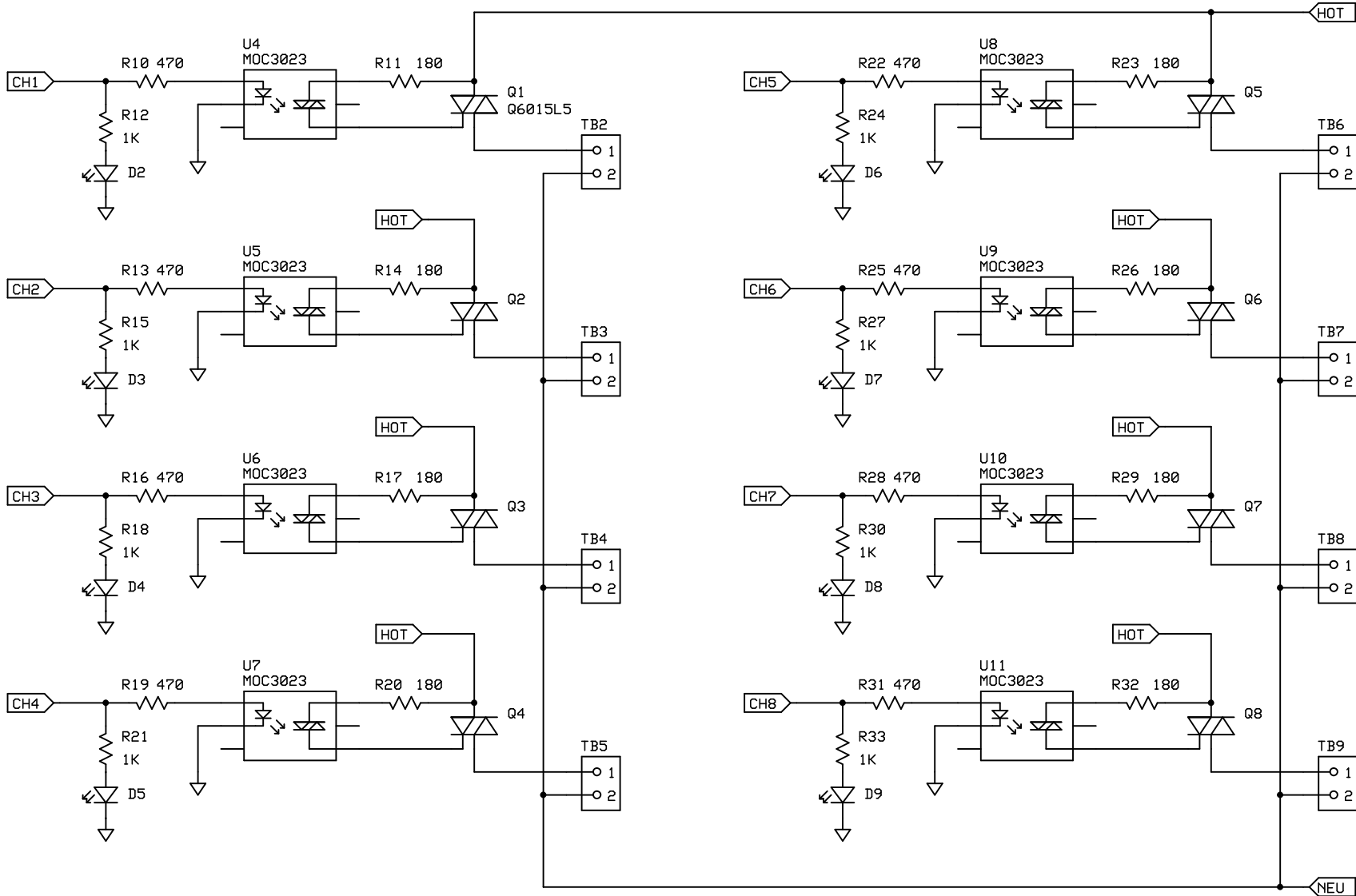
Provided as-is -- no warranty expressed or implied

<b>JWLC-8</b>	
<b>8-Ch Lamp Fader</b>	
J Williams	Rev 1.1 11/21/2007
Page 1 of 3	



Use inline fuse-holder with TB1

JWLC-8		
8-Ch Lamp Fader		
J Williams	Rev 1.1	Page 2 of 3
	11/21/2007	



Protect lamp outputs with inline fuses

<b>JWLC-8</b>		
<b>8-Ch Lamp Fader</b>		
J Williams	Rev 1.1	Page 3 of 3
	11/21/2007	