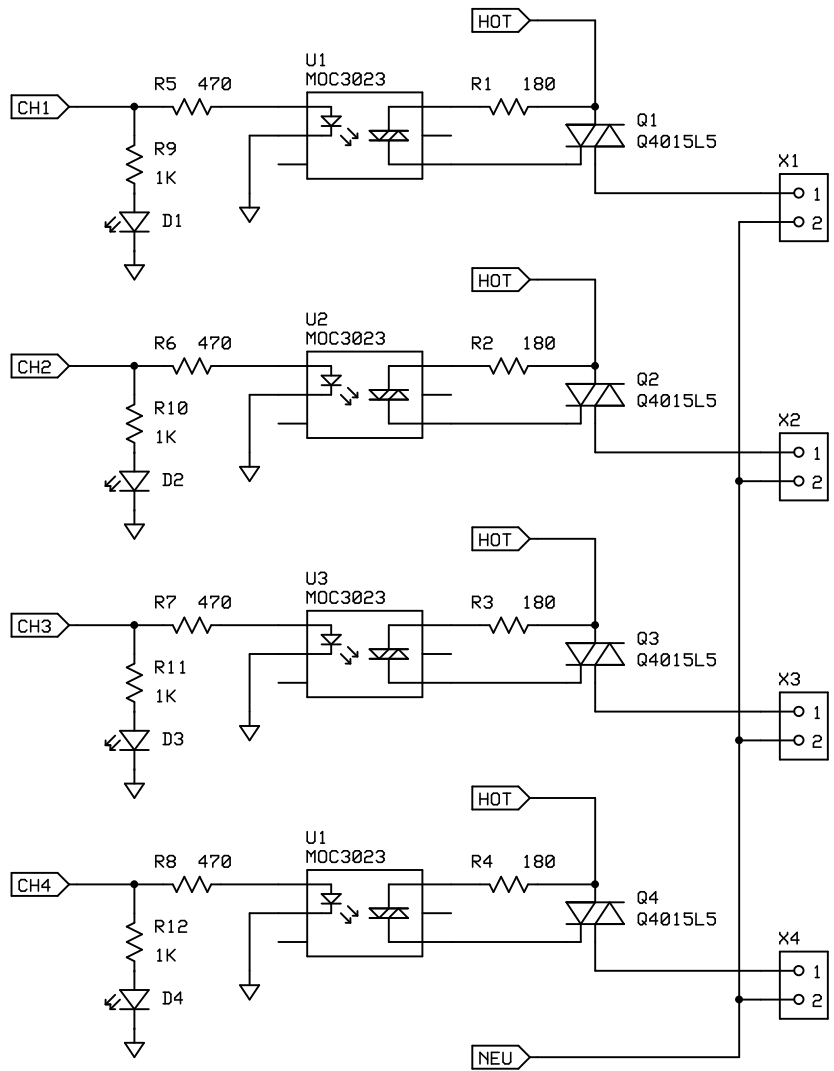


Note: R13 - R14 = 1/2W



Note: R1 - R4 = 1/4W

EFX-TEK

FC-4 Fader Controller

JW / JB

Rev B

12 JUN 07

Page 2 of 2