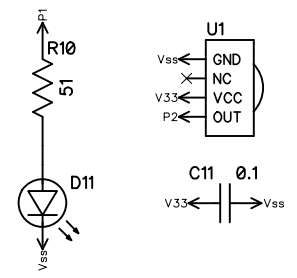


RefDes	Qty	Value	Type	Digikey	Mouser	Adafruit
C1 - C11	11	0.1	CAP_0603	445-1316-1-ND	810-C1608X7R1E104K	
D1 - D10	10	WS2812B	WS2812B			1655
D11	1	IR	5mm	751-1203-ND	782-TSAL6100	
PB1 - PB4	4	N.O.	SMD 6mm	CKN9112CT-ND	611-PTS645SM43SMTR92	
R1 - R5	5	10K	RES_0603	P10.0KHCT-ND	667-ERJ-3EKF1002V	
R6 - R9	4	1K	RES_0603	P1.00KHCT-ND	667-ERJ-3EKF1001V	
R10	1	51	RES_1206	P51.0FCT-ND	ERJ-8ENF51R0V	
U1	1	38kHz	SMD	TSOP6238TTCT-ND	782-TSOP6238	
X1, X2	2	02x16	HDR M 0.1	3M11928-ND	517-6111TG	
X3, X4	2	02x04	HDR M 0.1	3M11928-ND	517-6111TG	



Does not conflict with any standard badge features

JONNYMAC DEF CON 22 IRONMAC SHIELD		
Size	Filename	Rev
A	jm_dc22_ironmac_04.dch	A
Drawn by JM		Date: 11 AUG 14
Checked by		Sheet 1 of 1

5

4

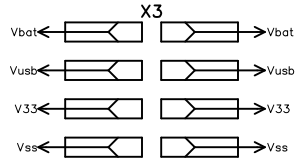
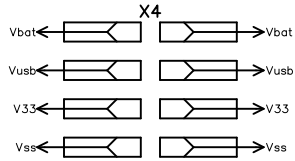
3

2

1

D

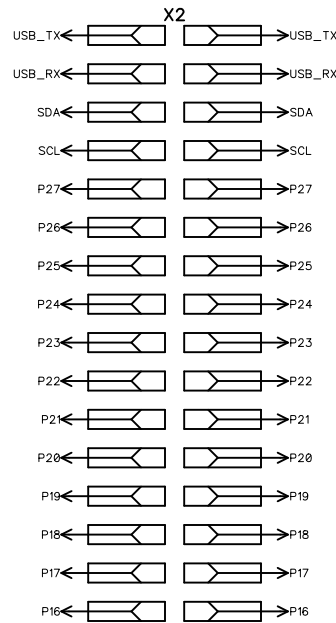
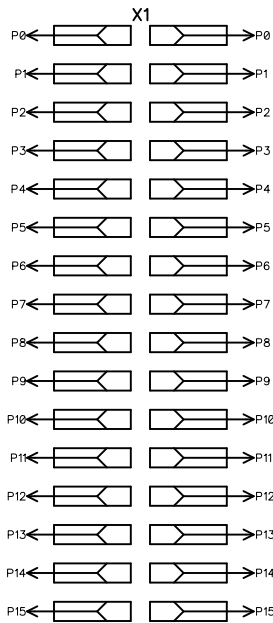
D



1x4 F = 3M 929974-01-04-RK

C

C



1x16 F = 3M 929974-01-16-RK

B

B

A

A

5

4

3

2

1

JONNYMAC DEF CON 22 IRONMAC SHIELD		
Size	Filename	Rev
A	jm_dc22_ironmac_04.dch	A
Drawn by JM		Date: 11 AUG 14
Checked by		Sheet 2 of 2

