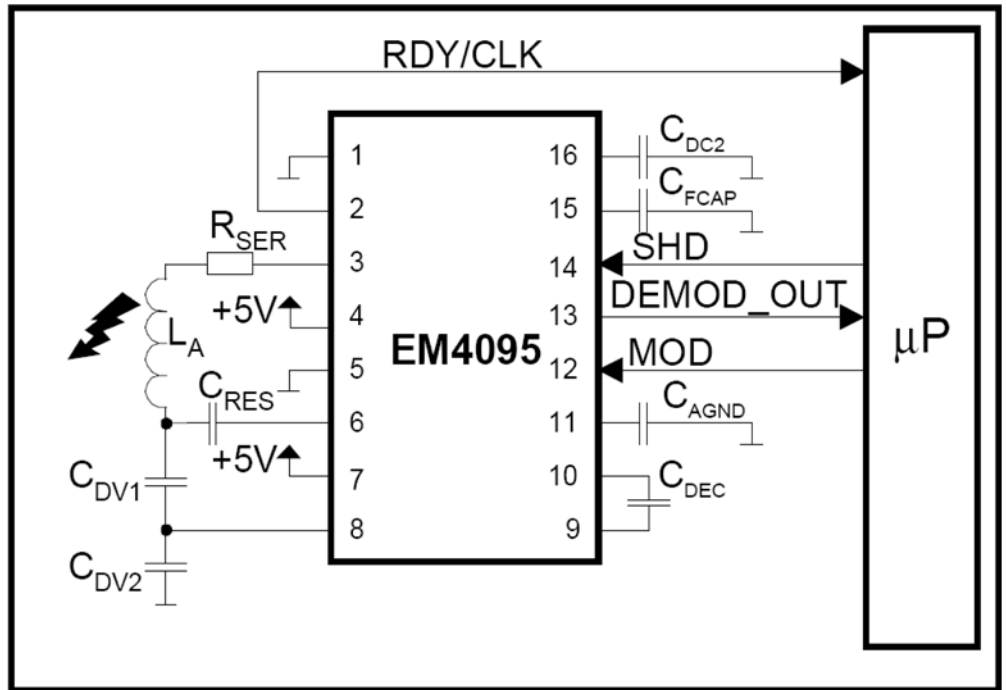


$C_{res1} := 4700 \cdot 10^{-12}$
 $C_{res2} := 1000 \cdot 10^{-12}$
 $C_{res3} := 22000 \cdot 10^{-12}$
 $CDV1 := 100 \cdot 10^{-12}$
 $CDV2 := 470 \cdot 10^{-12}$

Vdd := 5 Supply Voltage
Vss := 0 Ground
RSER := 18
RAD := 3
IDDon := 0.25

WDmil := 0.010 in
ODmil := 0.011 in
 $RW := \frac{106 \Omega}{1000 \text{ ft}}$

30 AWG Magnet Wire, coated



$C_{Vdd} := 100\text{nf}$ $C_{DVdd} := 100\text{nf}$ $C_{DC2} := 6.8\text{nf}$ $C_{FCAP} := 10\text{nf}$ $C_{DEC} := 100\text{nf}$ $C_{AGND} := 100..220\text{nf}$

$WD := WDmil \cdot 2.54$ $OD := ODmil \cdot 2.54$

a := 3.6 cm **Nt := 20 turns**

$b := OD \cdot Nt$

$ri := a - \frac{b}{2}$ $ro := a + \frac{b}{2}$

$Length := \frac{\pi \cdot (ro^2 - ri^2)}{OD} \cdot \frac{1}{100}$

$Resistance := Length \cdot \frac{1000}{25.4 \cdot 12} \cdot RW$

$L_{spiral} := \frac{0.3937 \cdot (a \cdot Nt)^2}{(8 \cdot a) + (11 \cdot b)} \cdot 10^{-6}$

$C_{res} := C_{res1} + C_{res2} + C_{res3}$

$Co := C_{res} + \frac{CDV1 \cdot CDV2}{CDV1 + CDV2}$

$f_0 := \frac{1}{2 \cdot \pi \cdot \sqrt{L_{spiral} \cdot Co}}$
 Operating Frequency

$Q := \frac{2 \cdot \pi \cdot f_0 \cdot L_{spiral}}{Resistance}$
 Theoretical Q

$I_{ANT} := \frac{4}{\pi} \cdot \frac{Vdd - Vss}{Resistance + RSER + 2 \cdot RAD}$ Antenna coil current (<250mA)

$I_{RMS} := \frac{I_{ANT}}{\sqrt{2}}$ RMS current (A)

$V_{ANTpp} := \frac{I_{ANT}}{\pi \cdot f_0 \cdot Co}$ Peak to peak Antenna Voltage

$V_{MOD_INpp} := V_{ANTpp} \cdot \frac{CDV1}{CDV1 + CDV2}$

$P := 2 \cdot I_{RMS}^2 \cdot RAD + IDDon \cdot (Vdd - Vss)$

$WD = 0.025$ cm

$OD = 0.028$ cm

$b = 0.559$ cm

$ri = 3.3$ cm
 $ro = 3.9$ cm

$Length = 4.524$ meter

$Resistance = 1.573$ Ω

$L_{spiral} = 58 \times 10^{-6}$ H

$C_{res} = 27.7 \times 10^{-9}$ F

$Co = 28 \times 10^{-9}$

$f_0 = 124946$

$Q = 29$

$I_{ANT} = 0.249$

$I_{RMS} = 0.176$

$V_{ANTpp} = 22.827$

$V_{MOD_INpp} = 4.005$

$P = 1.436$

INDUCTANCE OF SPIRAL WOUND COIL WITH SINGLE LAYER

The inductance of a spiral inductor is calculated by:

EQUATION 25:

$$L = \frac{(0.3937)(aN)^2}{8a + 11b} \quad (\mu H)$$

FIGURE 9: A SPIRAL COIL

where:

- $a = (r_i + r_o)/2$
- $b = r_o - r_i$
- r_i = Inner radius of the spiral
- r_o = Outer radius of the spiral

Note: All dimensions are in cm