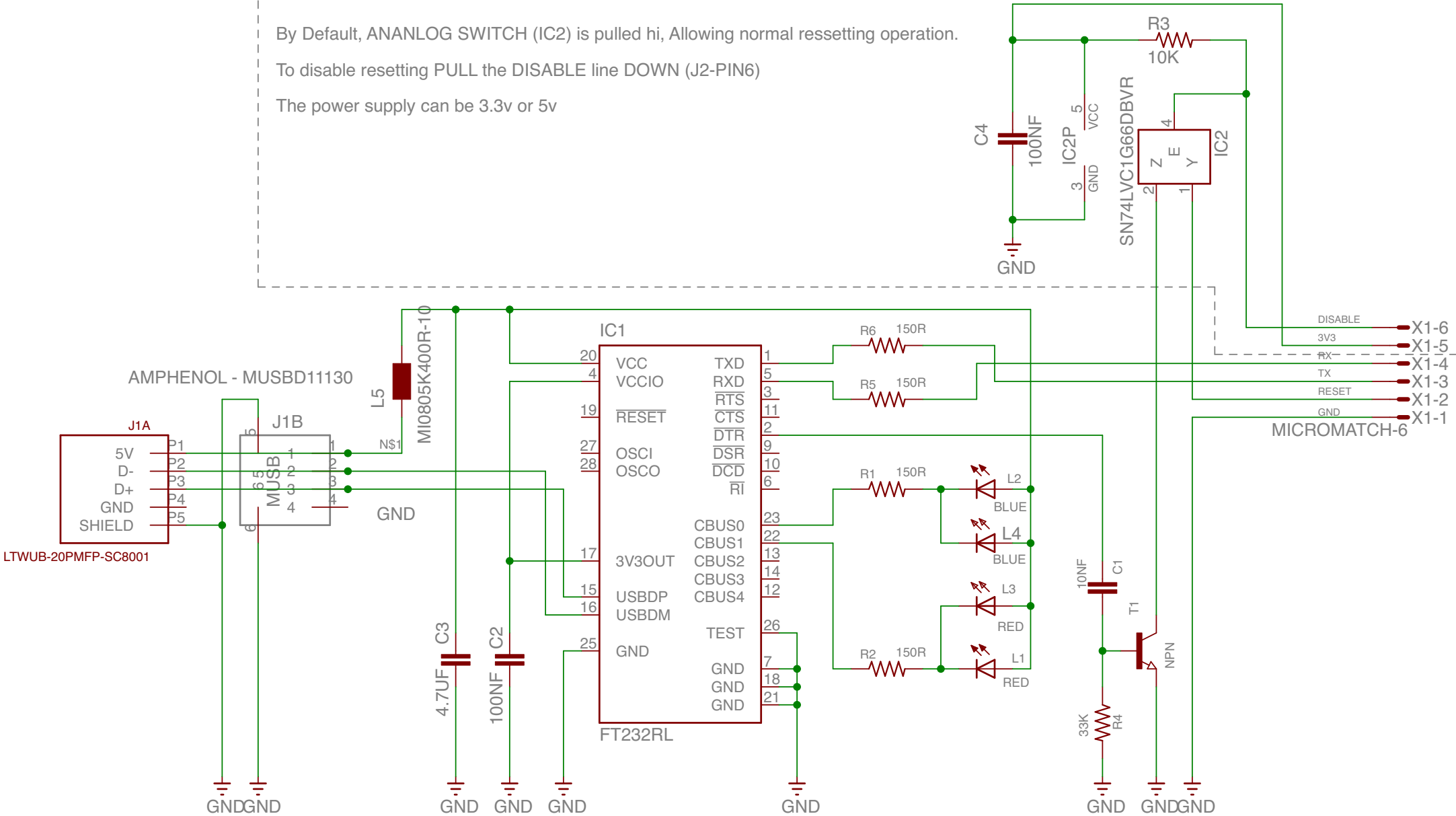


By Default, ANANLOG SWITCH (IC2) is pulled hi, Allowing normal resetting operation.

To disable resetting PULL the DISABLE line DOWN (J2-PIN6)

The power supply can be 3.3v or 5v



LTWUB-20PMFP-SC8001