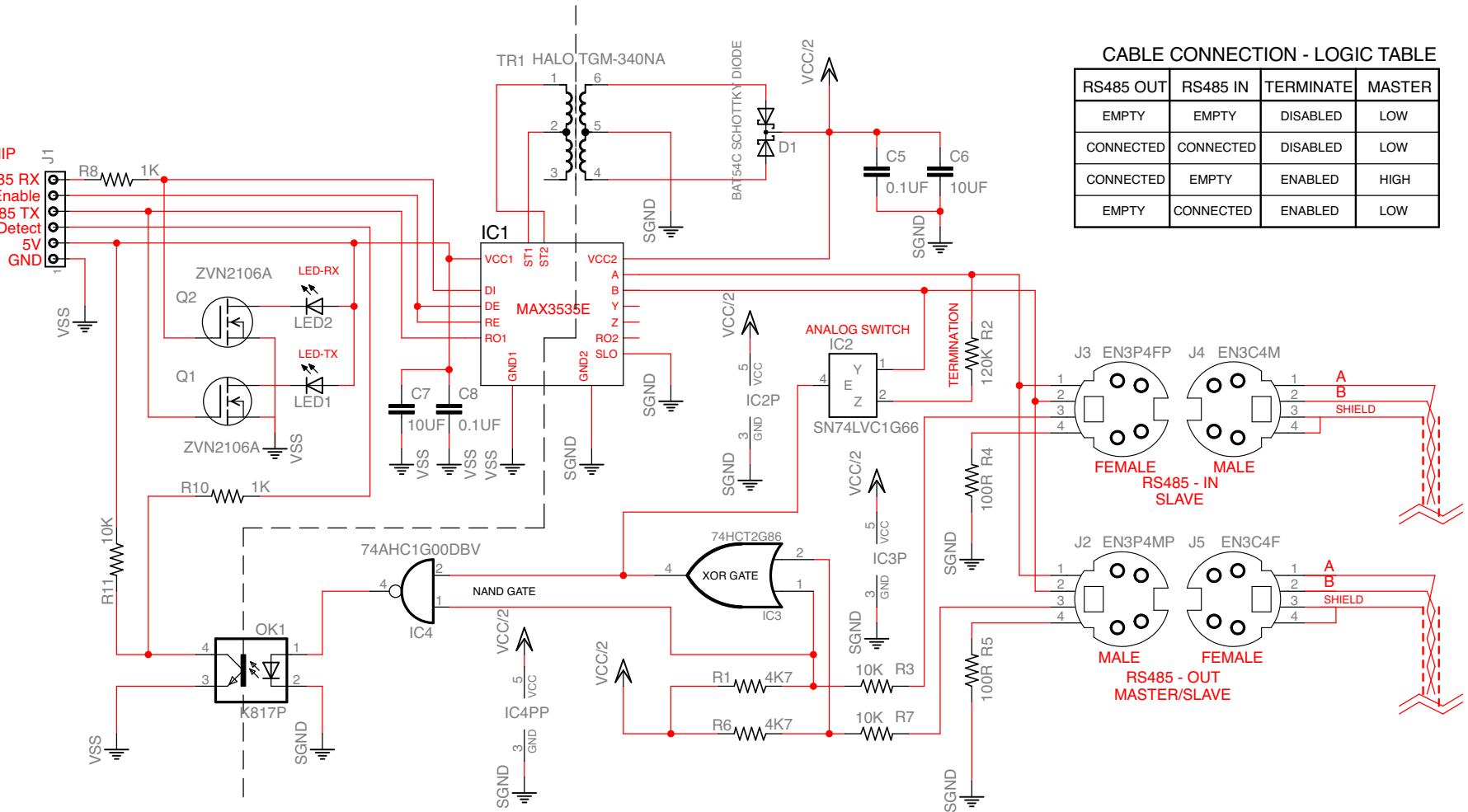


TO PROP CHIP

P06 RS485 RX
P07 RXEnable
P25 RS485 TX
P24 Master Detect
5V
GND



CABLE CONNECTION - LOGIC TABLE

RS485 OUT	RS485 IN	TERMINATE	MASTER
EMPTY	EMPTY	DISABLED	LOW
CONNECTED	CONNECTED	DISABLED	LOW
CONNECTED	EMPTY	ENABLED	HIGH
EMPTY	CONNECTED	ENABLED	LOW

BILL OF MATERIALS (CRITICAL COMPONENTS)

POSITION	ITEM CODE	DESCRIPTION
IC1	MAX3535E	RS485 TRANSCEIVER IC 5V - GALVANIC ISOLATED
TR1	TGM-340NA	TRANSFORMER HALO
IC2	SN74LVC1G66	SINGLE ANALOG SWITCH - LOGIC INPUTS
IC3	74HCT2G86	DUAL 2-INPUT EXCLUSIVE OR GATE
OK1	K817P	OPTO COUPLER - SINGLE - LOGIC IN & OUT
Q1, Q2	ZVN2106A	MOSFET - N CHANNEL LOGIC LEVEL GATE
D1	BAT54C	SCHOTTKY DIODE DUAL
IC4	74AHC1G00DBV	2 INPUT NAND GATE

AUTO TERMINATION - GALVANIC ISOLATED - MASTER/SLAVE DETECT 5V
THIS SCHEMATIC IS NOT TESTED!!!

TITLE: RS485-INTERFACE BOARD REV-E
Document Number: _____ REV: _____
Date: 2/03/09 Mon, 02 Mar 2009 09:29 AM Sheet: 1/1