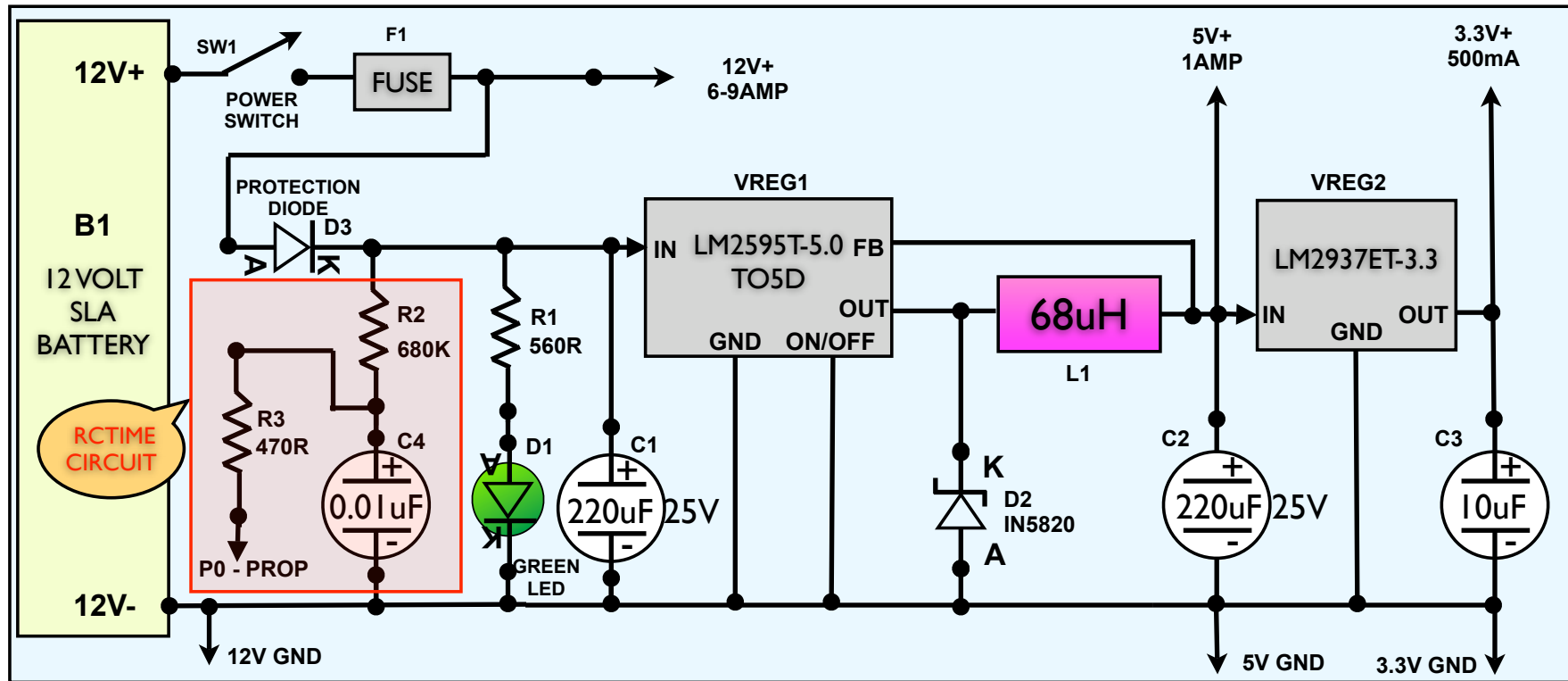


POWER SUPPLY SCHEMATIC - VER2.4



DESIGNATOR	CODE/PART NO	DESCRIPTION
B1	BATT 12V	BATTERY SLA 12VOLT
R1	560R 5%	AXIAL RESISTOR 560R 5% 1/2 WATT
D1	LED3MM	LED 3MM GREEN - VIA 2PIN HEADER
D2	1N5820	AXIAL SCHOTTKY DIODE 3A 20V
C1	220UF 25V ESR	RADIAL CAPACITOR ELECTROLYTIC 220UF 25V LOW ESR
C2	220UF 25V ESR	RADIAL CAPACITOR ELECTROLYTIC 220UF 25V LOW ESR
C3	10UF 16V	RADIAL CAPACITOR ELECTROLYTIC 10UF 16V
VREG1	LM2595-5.0 TO5D	SWITCHING VOLTAGE REGULATOR 5.0V 1AMP
VREG2	LM2937ET-3.3 TO220	LINEAR VOLTAGE REGULATOR 3.3V
L1	RL-5471-5 / PE53038	68 UH INDUCTOR
SW1	SWITCH	MAIN SWITCH 10AMP - VIA 2PIN HEADER
D3	1N5820	PROTECTION DIODE??
R2	680K 1%	680K 1% RESISTOR 1/4 WATT
C4	0.01UF	0.01UF CAP POLYSTYRENE/POLYPROP V=??
R3	470R 5%	470R 5% RESISTOR

NOTES:

- 1) No heat-sinks required (if Possible)
- 2) All parts Through-hole
- 3) Separate Grounds for each Supply
- 4) RCTIME Circuit for monitoring the battery voltage (red text and box)