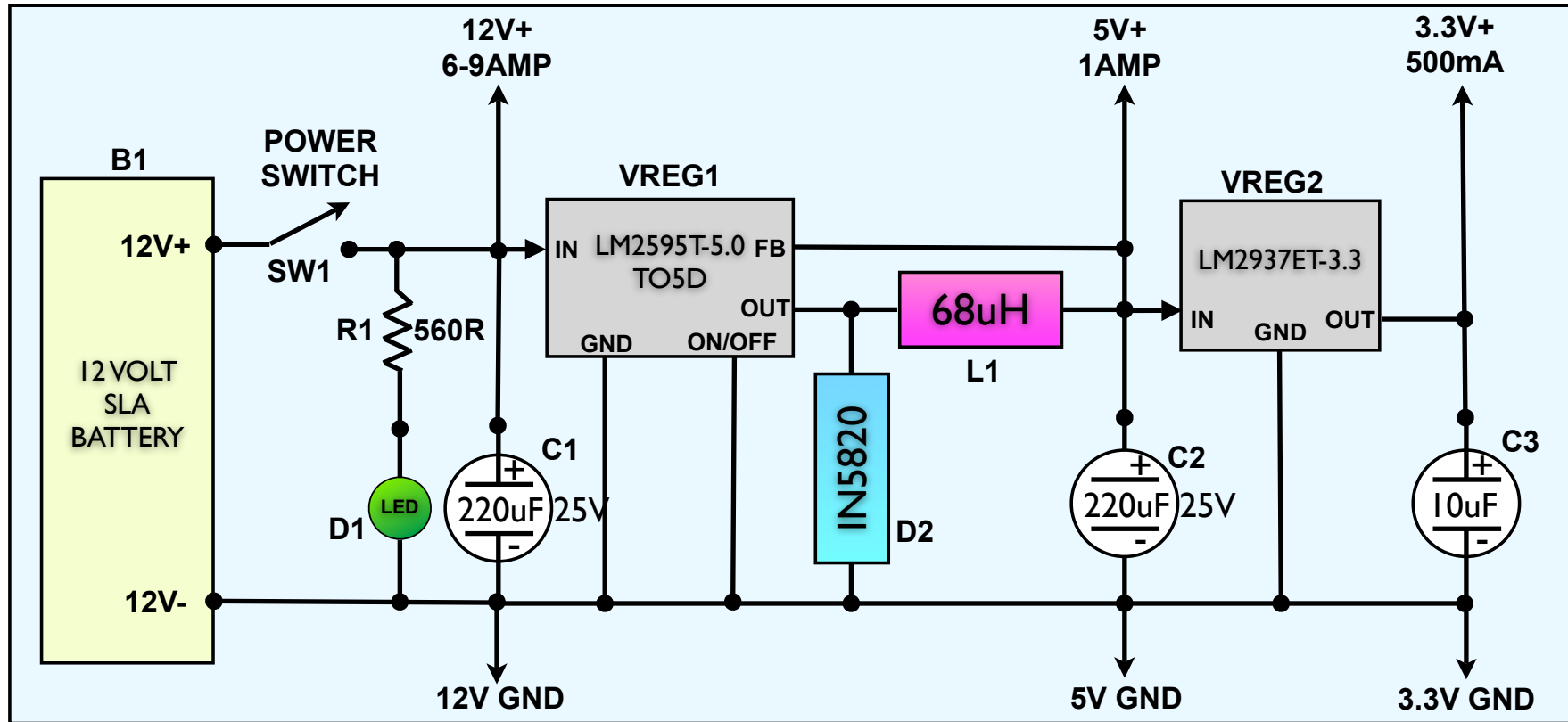


POWER SUPPLY SCHEMATIC - VER2.0



DESIGNATOR	CODE/PART NO	DESCRIPTION
B1		BATTERY SLA 12VOLT
R1		AXIAL RESISTOR 560R 5% 1/2 WATT
D1		LED 3MM GREEN - VIA 2PIN HEADER
D2	IN5820	AXIAL SCHOTTKY DIODE 3A 20V
C1		RADIAL CAPACITOR ELECTROLYTIC 220UF 25V LOW ESR
C2		RADIAL CAPACITOR ELECTROLYTIC 220UF 25V LOW ESR
C3		RADIAL CAPACITOR ELECTROLYTIC 10UF 16V
VREG1	LM2595-5.0 TO5D	SWITCHING VOLTAGE REGULATOR 5.0V 1AMP
VREG2	LM2937ET-3.3 TO220	LINEAR VOLTAGE REGULATOR 3.3V
L1	RL-5471-5 / PE53038	68 UH INDUCTOR
SW1		MAIN SWITCH 10AMP - VIA 2PIN HEADER

NOTES:

- 1) No heat-sinks required (if Possible)
- 2) All parts Through-hole
- 3) Separate Grounds for each Supply