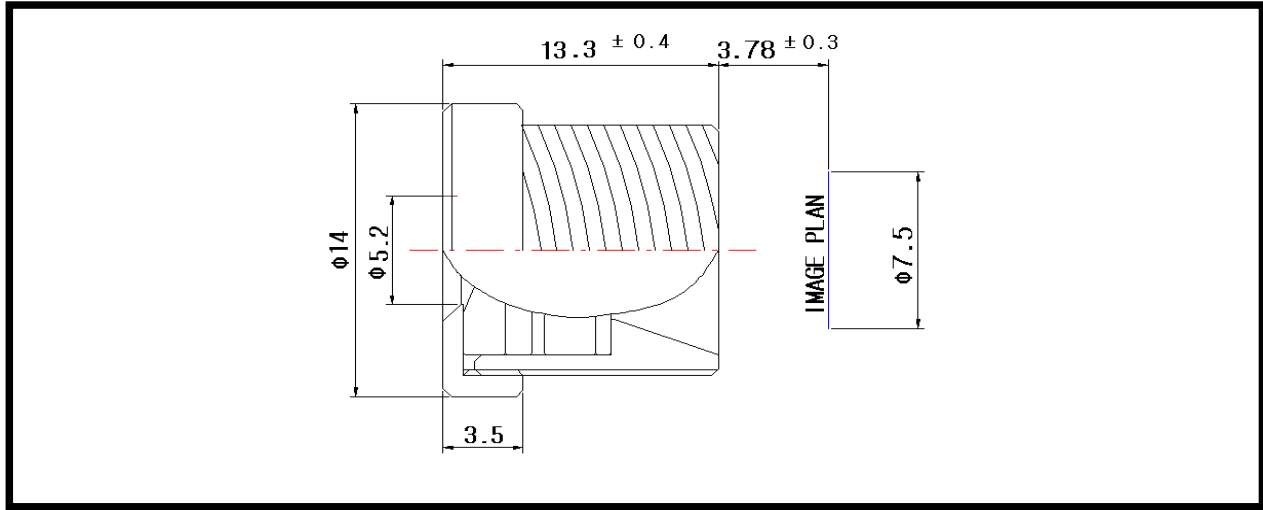


V79055IG1



SPECIFICATION

No	Model : V79055IG1	
1	Sensing Area	$\phi 7.5$
2	Full Field Angle	55°
3	Optical Distortion	-10.74 %
4	TV Distortion	-4.195%
5	Focal Length	7.9 mm
6	Back Focal Length	10.19 mm
7	Flange Back Length	3.78 mm
8	F/#	2.4
9	Iris	Fixed
10	Focus Extension	10 mm ~ ∞
11	Diameter (Thread)	M12 \times 0.5 Pitch
12	Length	13.30 mm
13	Lens Construction	1 Aspheric , 1 Glass Lenses & I.R filter (Total 3 Elements)

3rd Fl.,81-4/Pyongchon-dong/Dongan-Gu/Anyangsi/Kyonggido/Korea
 Phone:82-31-422-6247Fax:82-31-422-6248 URL:<http://www.viewtech.co.kr> Email:viewtech@viewtech.co.kr

Viewtech Company Ltd.