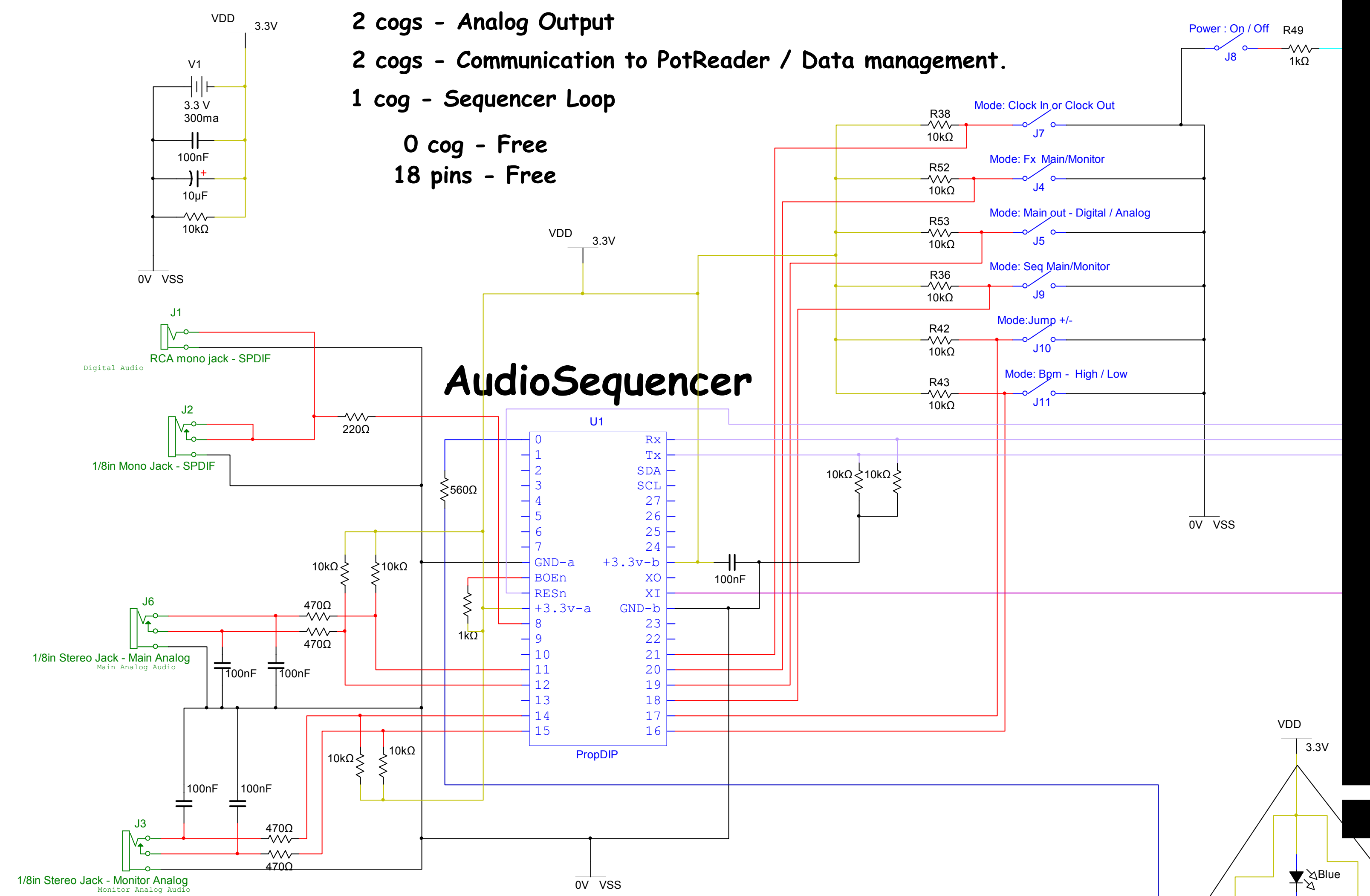


BlackBoxV2.0

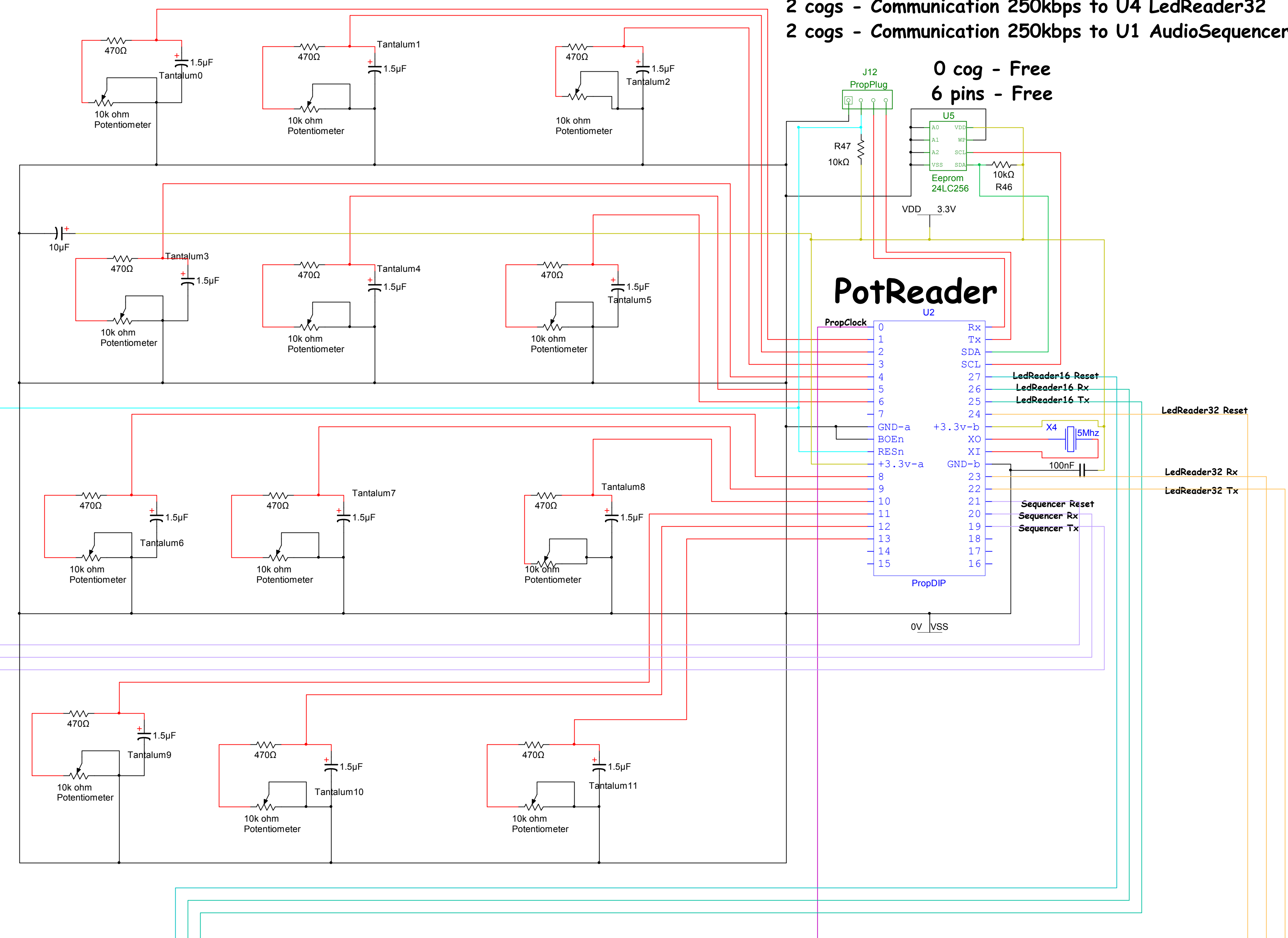
AudioSequencer - U1

- 3 cogs - Digital Output
- 2 cogs - Analog Output
- 2 cogs - Communication to PotReader / Data management.
- 1 cog - Sequencer Loop
- 0 cog - Free
- 18 pins - Free



PotReader - U2

- 1 cog - Runs Viewport Conduit
- 1 cog - Reads the value of all potentiometers
- 2 cogs - Communication 250kbps to U3 LedReader16
- 2 cogs - Communication 250kbps to U4 LedReader32
- 2 cogs - Communication 250kbps to U1 AudioSequencer, 5mhz clock to U1,U3,U4
- 0 cog - Free
- 6 pins - Free



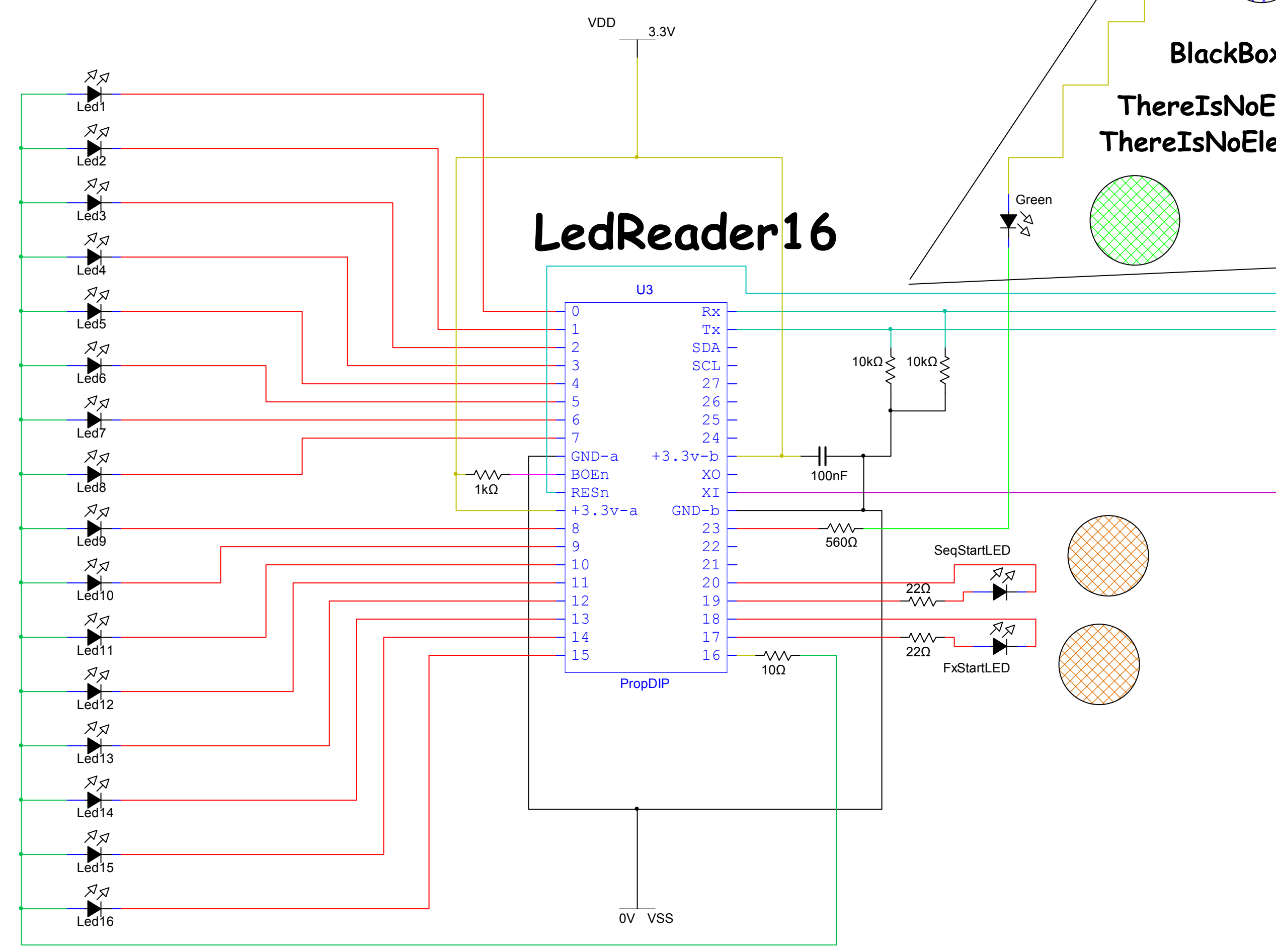
One Clock to rule them all. 5 Mhz

BlackBox V2.0
ThereIsNoElectron.com
ThereIsNoElectron@gmail.com

LedReader16 - U3

LedReader16 - U3

- 2 cogs - Communication 250kbps to PotReader
- 1 cog - Leds 1-16 Reader/Blinker, Runs Heartbeat led.
- 1 cog - Dedicated FxStartLED Reader/Blinker
- 1 cog - Dedicated SeqStartLED Reader/Blinker
- 3 cogs - Free
- 8 pins - Free



LedReader32

LedReader32 - U4

- 1 cogs - Communication 250kbps to PotReader
- 1 cog - Leds 17-32 Reader/Blinker, Runs HeartBeat led
- 1 cog - Reads all 3 Quadrature Encoders
- 1 cogs - External Communication 150kbps for Clock Sync
- 1 cog - Data management.
- 3 cog - Free
- 4 pins - Free

