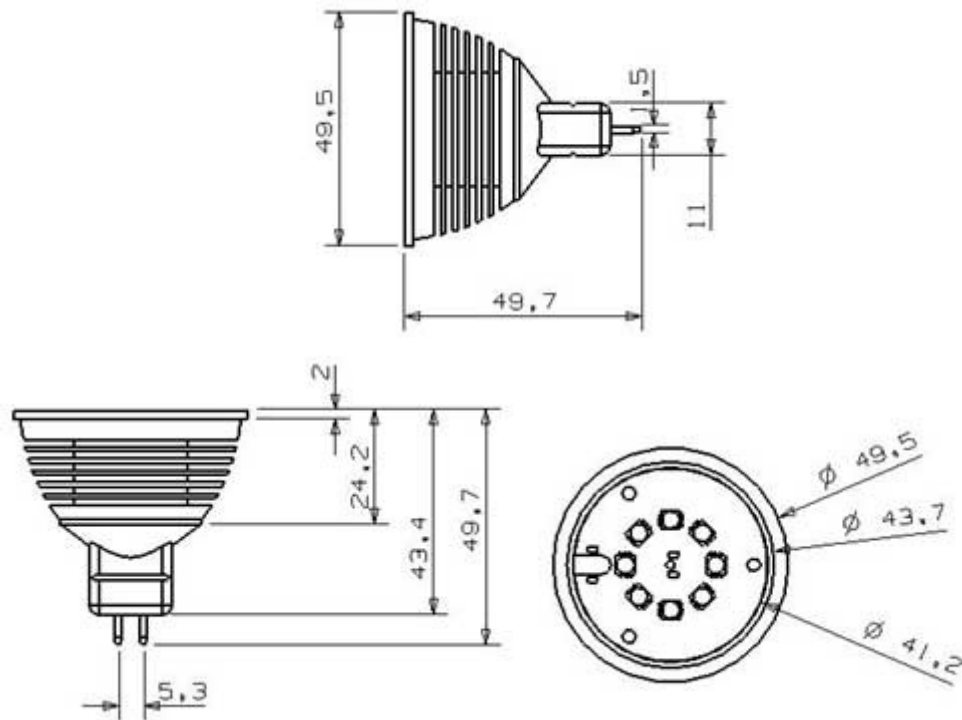


Part Number: B108HPV05WA

WARM WHITE

4Watts MR16 LED Bulbs

## Package Dimension



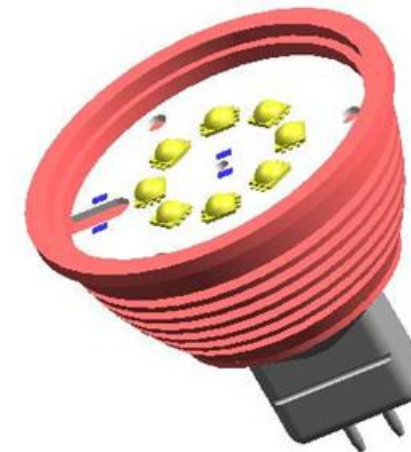
### Features:

- ✓ Built-in 8pcs High Power LED
- ✓ Built-in Constant Driver with Heat Control
- ✓ Low Power Consumption
- ✓ Longer Life Time
- ✓ Wide Viewing Angle, 150 Deg

### Electrical: Optical Characteristics (Ta=25°C)

Item	Symbol	Condition	Min	Typ	Max	Unit
Forward Voltage	V <sub>F</sub>	DC	8	12	24	V
		AC	8	12	14	
Intensity luminous	V <sub>L</sub>	V <sub>f</sub> = 12VDC	100	-	245	lm
Power Consumption	P <sub>c</sub>	V <sub>f</sub> = 12VDC	-	3.6	-	W

## Package 3D Demo



Version: V1.1