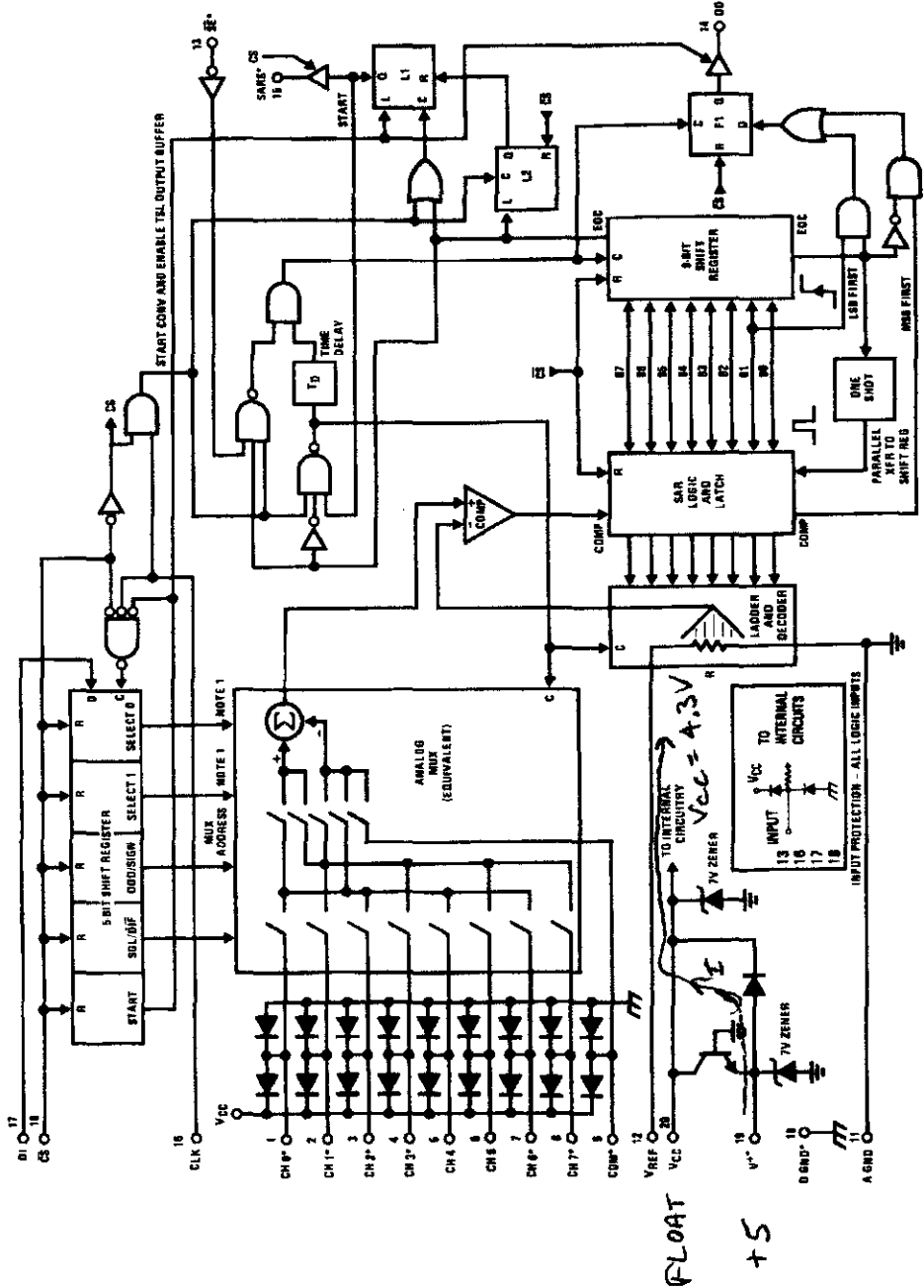


ADC0838 Functional Block Diagram



DS03683-7

*Some of these functions/pins are not available with other options.
 Note 1: For the ADC0834, D1 is input directly to the D input of SELECT 1. SELECT 0 is forced to a "1". For the ADC0832, D1 is input directly to the D input of SELECT 0. SELECT 0 is forced to a "1".