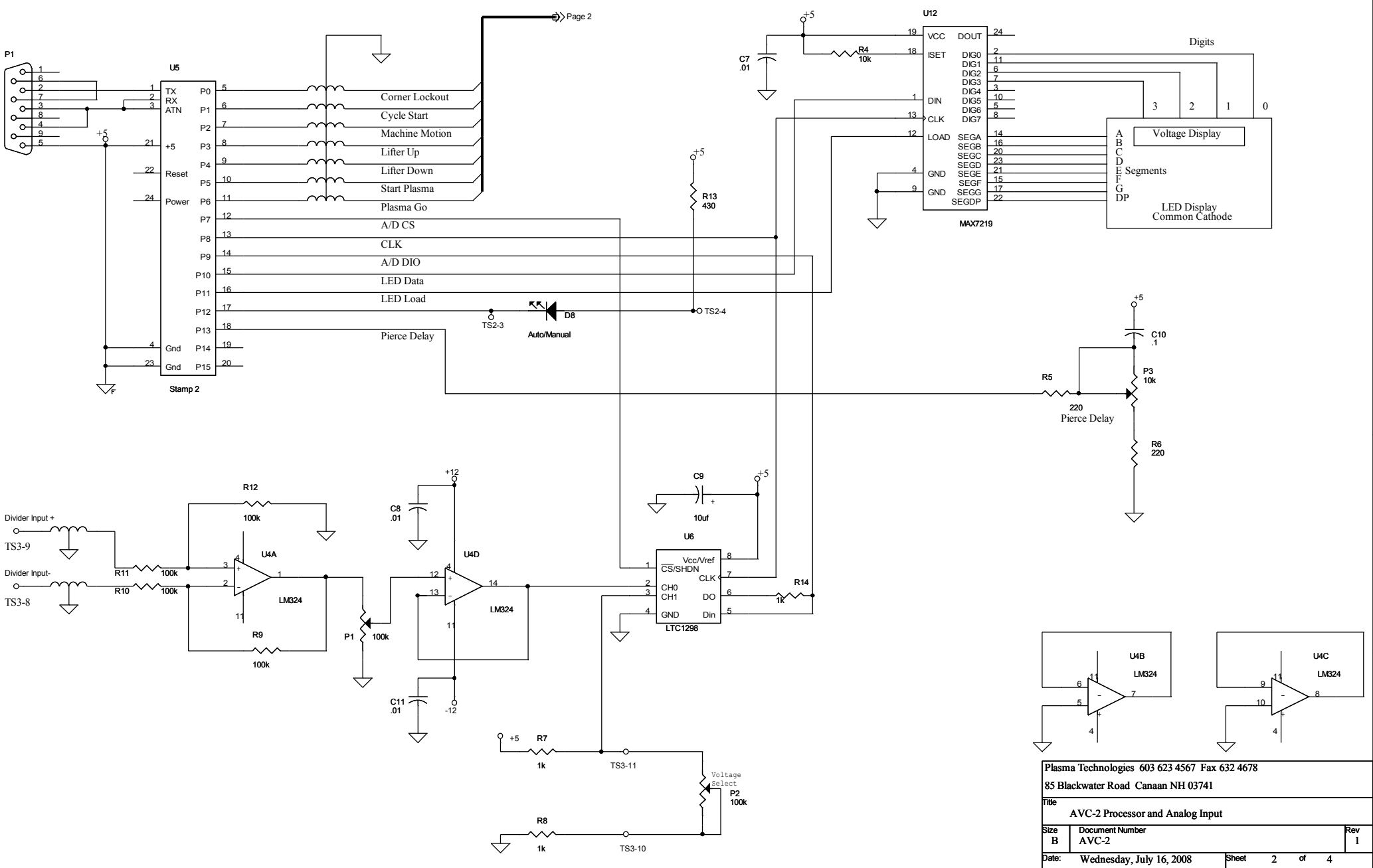
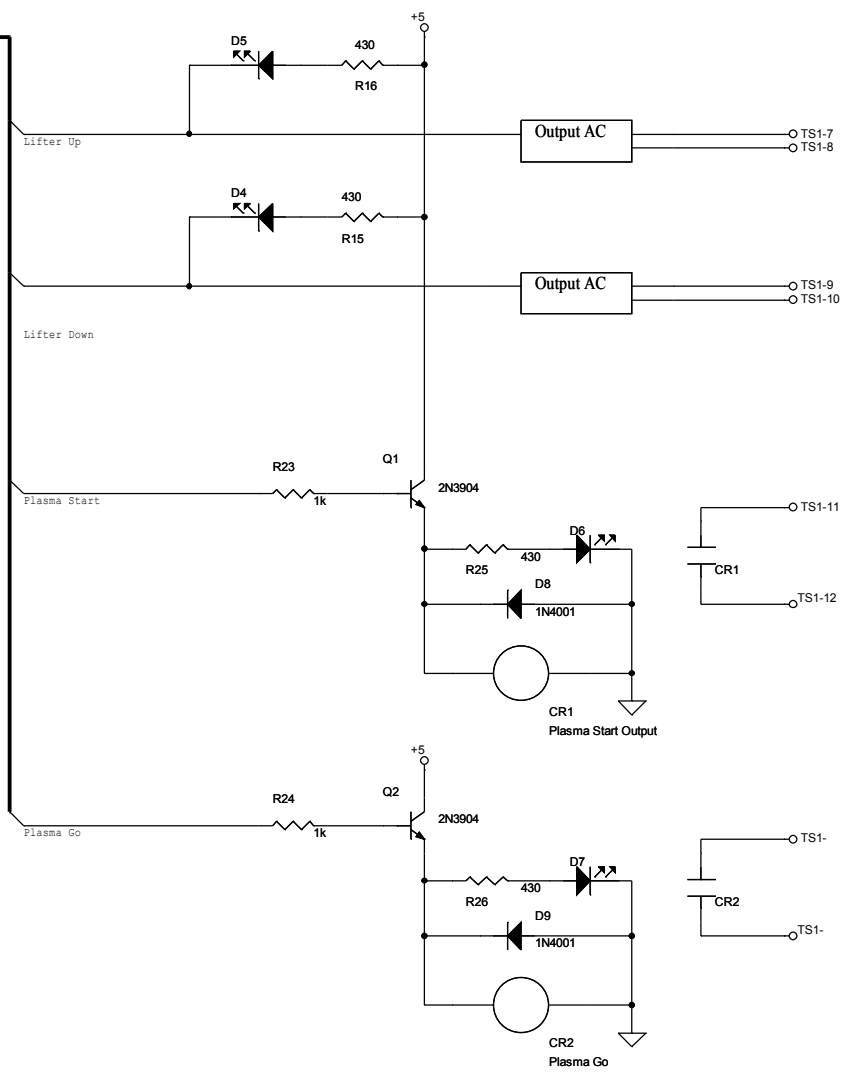
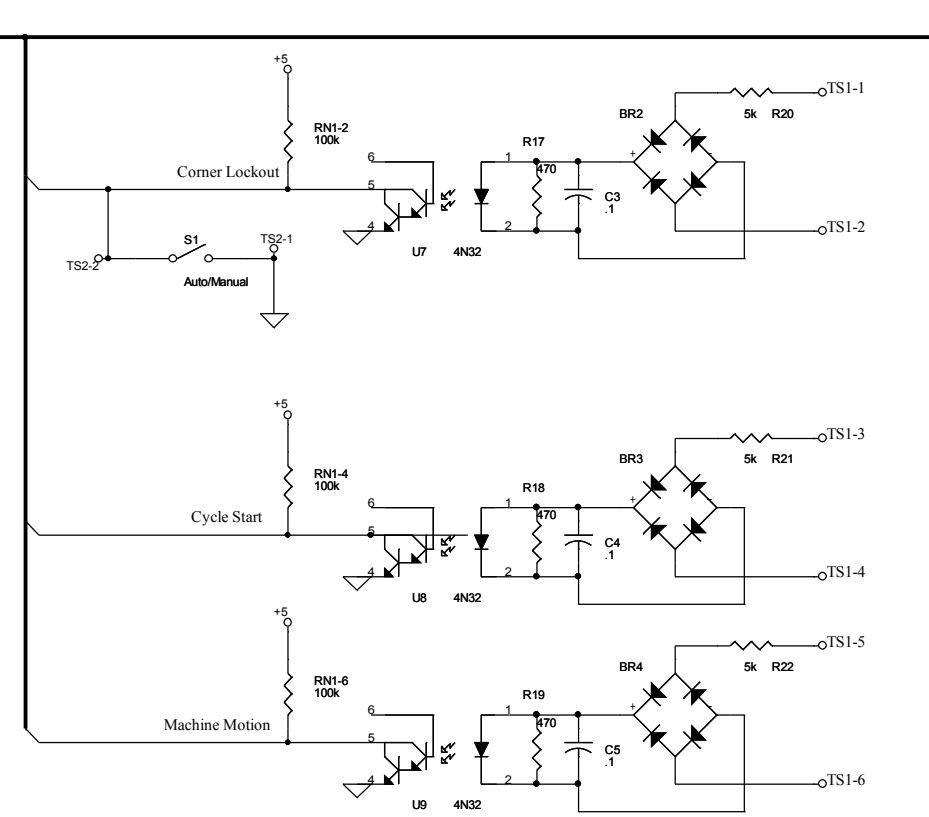


Plasma Technologies 603 623 4567 Fax 632 4678		
85 Blackwater Road Canaan 03741		
Title		
AVC-2 Block Diagram		
Size	Document Number	Rev
B	AVC-2	1
Date:	Wednesday, July 16, 2008	Sheet 1 of 4



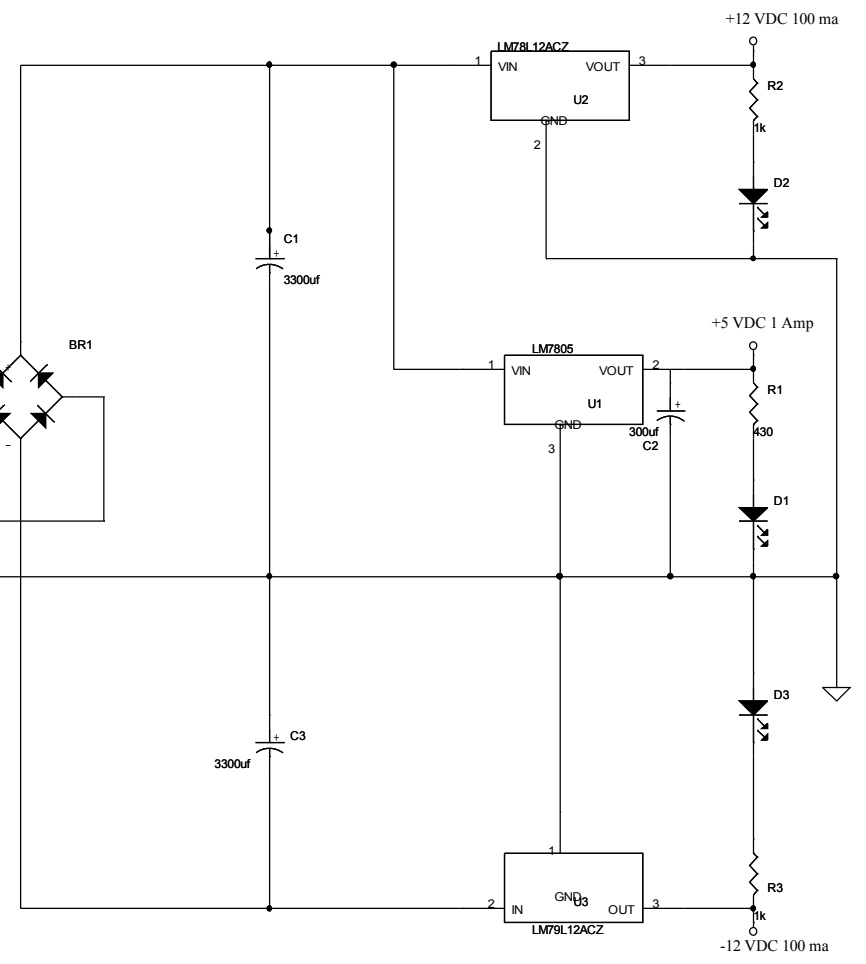
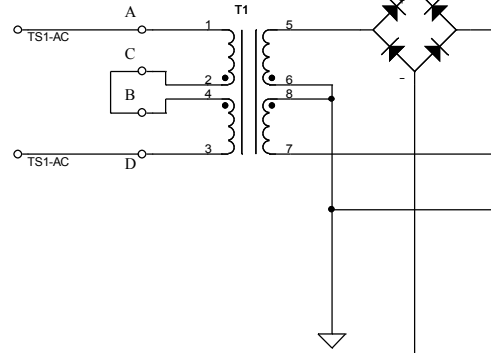
Plasma Technologies 603 623 4567 Fax 632 4678
 85 Blackwater Road Canaan NH 03741

Title		AVC-2 Processor and Analog Input	
Size	Document Number	Rev 1	
B	AVC-2		
Date:	Wednesday, July 16, 2008	Sheet	2 of 4



Plasma Technologies 603 623 4567 Fax 632 4678		
85 Blackwater Road Canaan 03741		
Title AVC-2 C I/O		
Size B	Document Number AVC-2	Rev 1
Date: Wednesday, July 16, 2008	Sheet 3	of 4

Install Jumpers A to B and C to D for 120 VAC
 Install Jumper B to C for 240 VAC
 Shown wired for 240 VAC



Plasma Technologies 603 623 4567 Fax 632 4678			
85 Blackwater Road Canaan 03741			
Title TAVC-2 Power Supply			
Size B	Document Number AVC-2	Rev 1	
Date: Wednesday, July 16, 2008	Sheet 4 of 4		