

## Connector for SD Memory Card SCDA Series

### Details

Product No.	Applicable media	Media ejection structure	Mounting methods	Mounting system
SCDA1A0901	SD Memory Card / MultiMediaCard(TM)	Push-push type	Surface mounting type	Standard mount

Features	Compatible with SD I/O	Stand-off	Packing system	Minimum packing unit (pcs.)
-	Available	0mm	Tray	315

### Products Specifications

Performance				
Operating temperature range	Voltage proof	Insulation resistance (Initial)	Contact resistance (Initial)	Mating and unmating cycles
-25° C to +60° C	500V AC 1 minute	1,000MΩ min.	100mΩ max.	10,000 cycles

1. Place your purchase order in N minimum package units (N: integer).
2. Ask us for the export packaging unit.

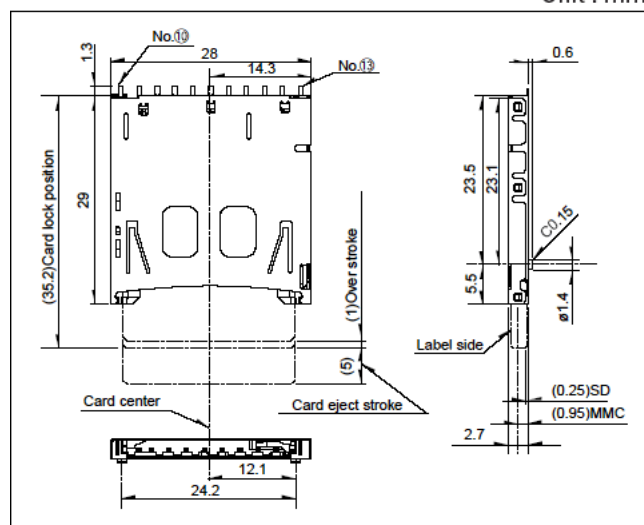
### Photo



### Dimensions

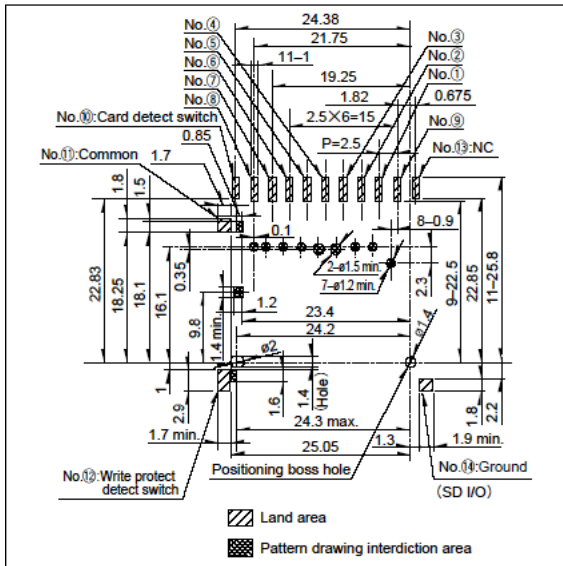
Stand-off 0mm

Unit : mm



■ PC board Mounting Dimensions (Viewed from Mounting Face Side)

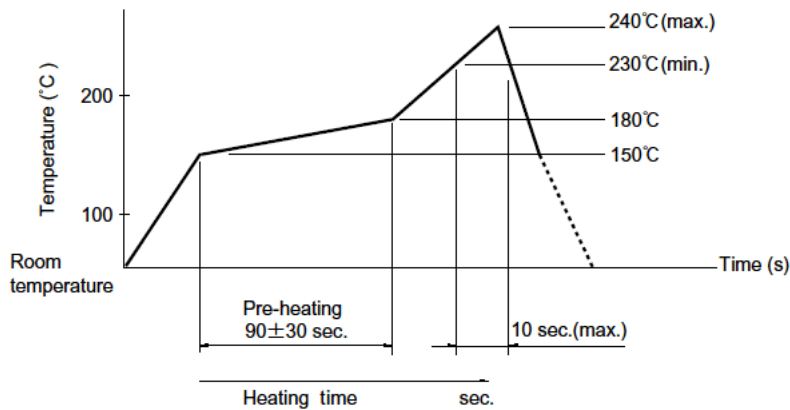
Unit: mm



■ Soldering Conditions

Example of Reflow Soldering Condition (Reference)

1. Heating method  
Double heating method with infrared heater.
2. Temperature measurement  
Thermocouple 0.1 to 0.2 Φ CA (K) or CC (T) at soldering portion.
3. Temperature profile.



■ Caution

1. When soldering terminals, There is a danger that load placed on the terminals may cause rattle, deformation or electrical degradation to occur depending on the conditions. Caution is therefore required.
2. When soldering, do not use water soluble flux because this may corrode the product.
3. Regarding the setting of reflow conditions, please confirm them with the actual mass production conditions.
4. As PC board warping may alter characteristics, please take this into consideration when designing pattern and layout.
5. This product have been designed and manufactured for applications to ordinary electronic equipment and devices such as the AV equipment, electric home applications, office machines and , communications equipment, consequently, when employing these products for applications requiring a high degree of safety and reliability such as the medical equipment, aviation and aircraft equipment, space equipment and burglar alarm equipment, the using manufacturers will please thoroughly study the proprieties of these products for the planned applications.
6. The card specifications are provided by the above manufactures. Products by other manufactures may not be compliant with these specifications and are subject to change without prior notice.

COPYRIGHT(C) 1995-2006 ALPS ELECTRIC CO.,LTD.