

DATA SHEET

74F148

8-input priority encoder

Product specification

1990 Mar 01

IC15 Data Handbook

8-input priority encoder

74F148

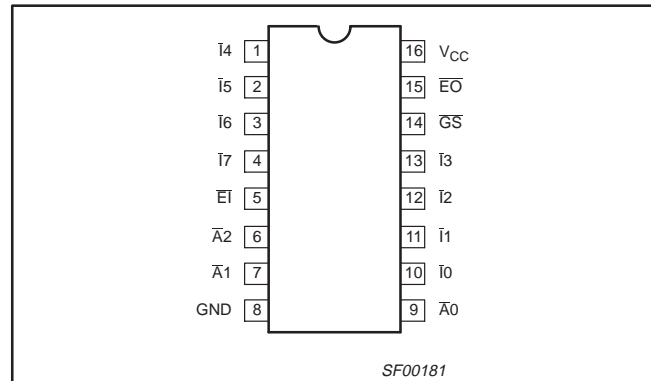
FEATURES

- Code conversions
- Multi-channel D/A converter
- Decimal-to-BCD converter
- Cascading for priority encoding of "N" bits
- Input enable capability
- Priority encoding-automatic selection of highest priority input line
- Output enable-active Low when all inputs are High
- Group signal output-active when any input is Low

DESCRIPTION

The 74F148 8-input priority encoder accepts data from eight active-Low inputs and provides a binary representation on the three active-Low outputs. A priority is assigned to each input so that when two or more inputs are simultaneously active, the input with the highest priority is represented on the output, with input line $\bar{I}7$ having the highest priority. A High on the Enable Input ($\bar{E}I$) will force all outputs to the inactive (High) state and allow new data to settle without producing erroneous information at the outputs. A Group Signal ($\bar{G}S$) output and an Enable Output ($\bar{E}O$) are provided with the three data outputs. The $\bar{G}S$ is active-Low when any input is Low: this indicates when any input is active. The $\bar{E}O$ is active-Low when all inputs are High. Using the Enable Output along with the Enable Input allows priority encoding of N input signals. Both $\bar{E}O$ and $\bar{G}S$ are active-High when the Enable Input is High.

PIN CONFIGURATION



TYPE	TYPICAL PROPAGATION DELAY	TYPICAL SUPPLY CURRENT (TOTAL)
74F148	6.0ns	23mA

ORDERING INFORMATION

DESCRIPTION	COMMERCIAL RANGE $V_{CC} = 5V \pm 10\%$, $T_{amb} = 0^{\circ}C$ to $+70^{\circ}C$	PKG DWG #
16-pin plastic DIP	N74F148N	SOT38-4
16-pin plastic SO	N74F148D	SOT109-1

INPUT AND OUTPUT LOADING AND FAN-OUT TABLE

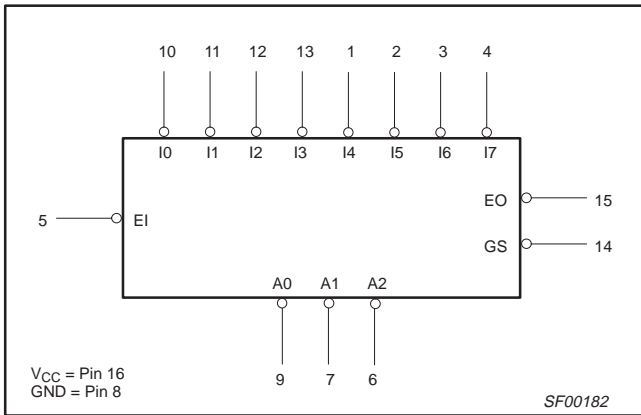
PINS	DESCRIPTION	74F (U.L.) HIGH/LOW	LOAD VALUE HIGH/LOW
$\bar{I}1 - \bar{I}7$	Priority inputs (active Low)	1.0/2.0	20 μ A/1.2mA
$\bar{I}0$	Priority input (active Low)	1.0/1.0	20 μ A/0.6mA
$\bar{E}I$	Enable input (active Low)	1.0/2.0	20 μ A/1.2mA
$\bar{E}O$	Enable output (active Low)	50/33	1.0mA/20mA
$\bar{G}S$	Group select output (active Low)	50/33	1.0mA/20mA
$\bar{A}0 - \bar{A}2$	Address outputs (active Low)	50/33	1.0mA/20mA

NOTE: One (1.0) FAST unit load is defined as: 20 μ A in the High state and 0.6mA in the Low state.

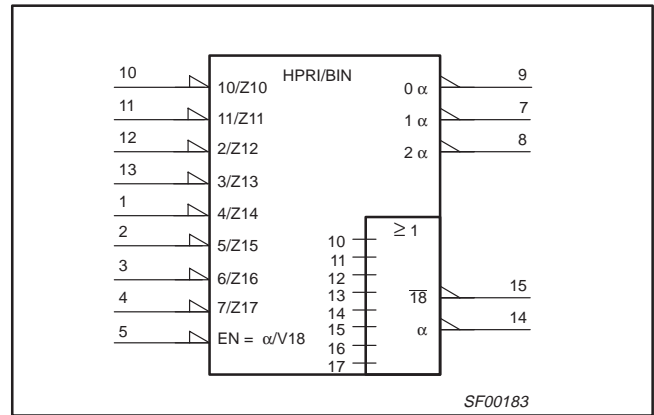
8-input priority encoder

74F148

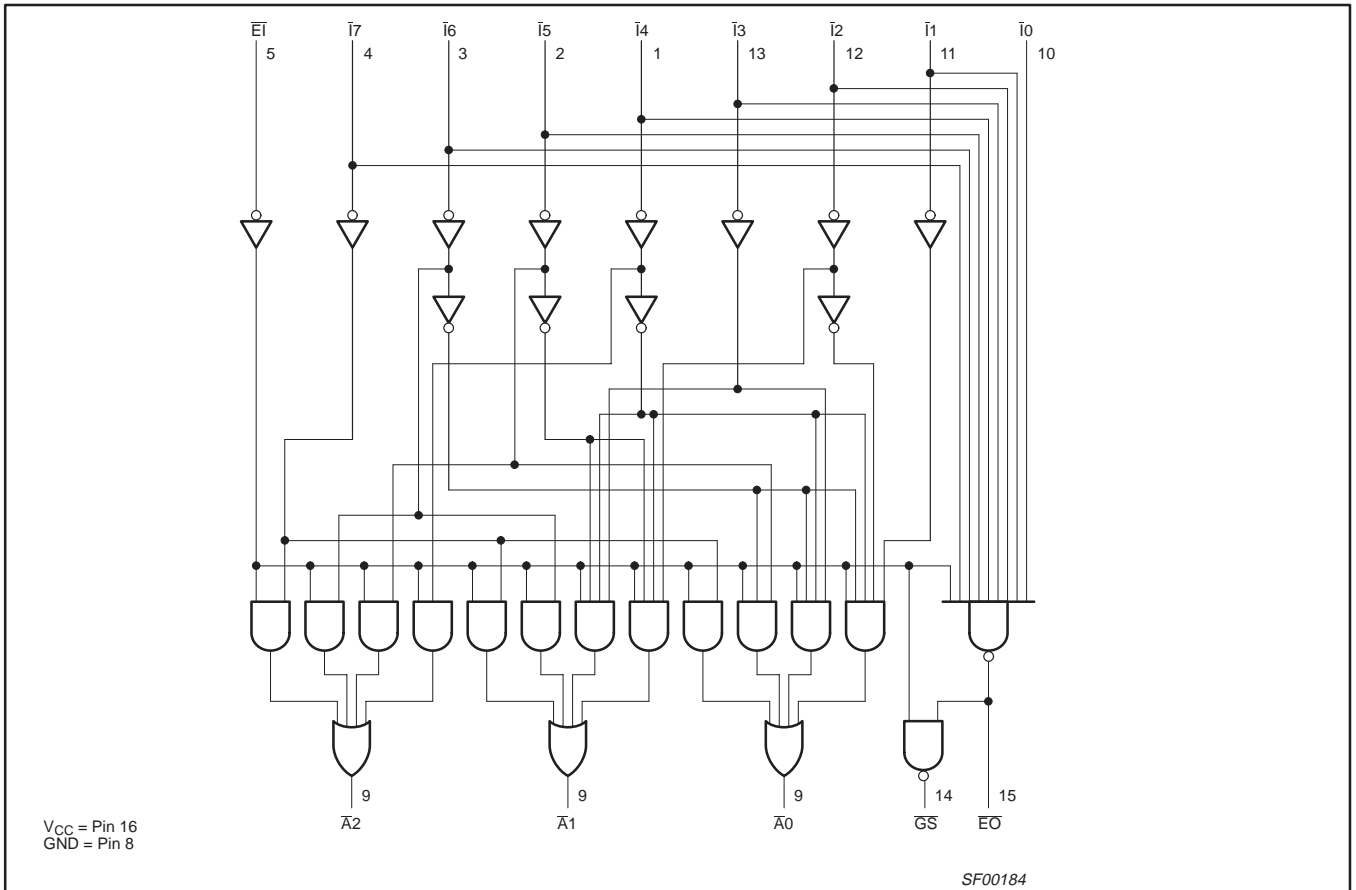
LOGIC SYMBOL



IEC/IEEE SYMBOL



LOGIC DIAGRAM



8-input priority encoder

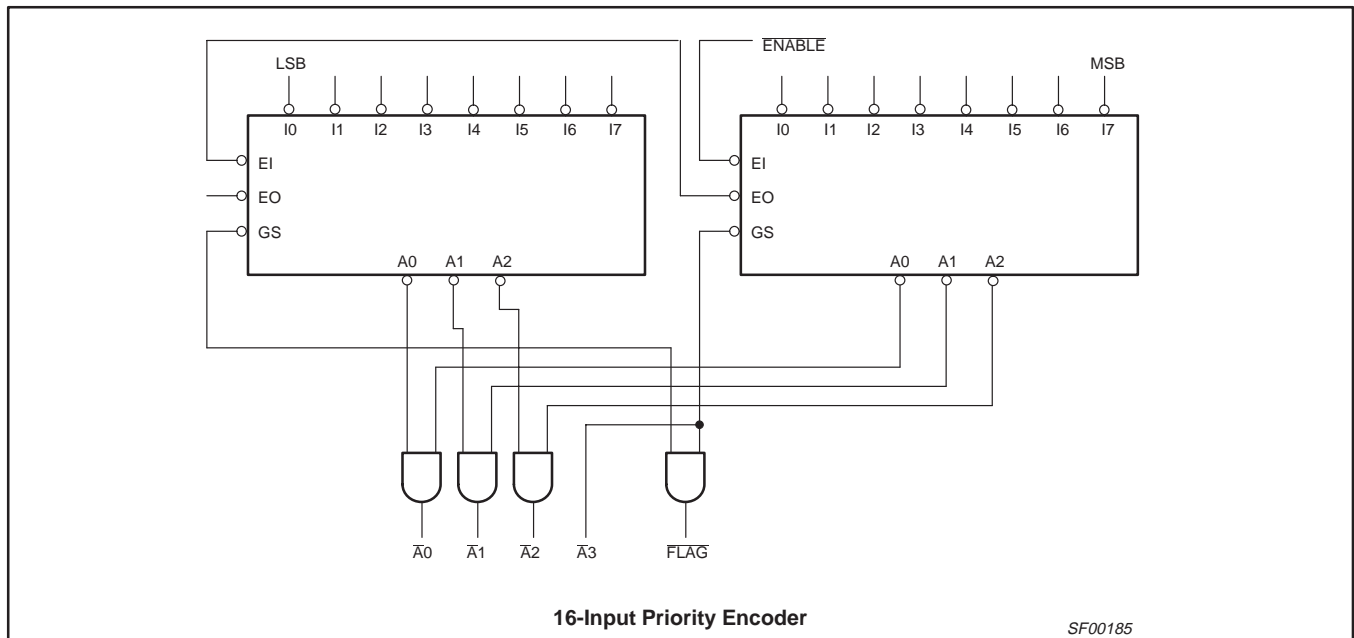
74F148

FUNCTION TABLE

INPUTS									OUTPUTS				
E \bar{I}	I $\bar{0}$	I $\bar{1}$	I $\bar{2}$	I $\bar{3}$	I $\bar{4}$	I $\bar{5}$	I $\bar{6}$	I $\bar{7}$	GS	A $\bar{0}$	A $\bar{1}$	A $\bar{2}$	E \bar{O}
H	X	X	X	X	X	X	X	X	H	H	H	H	H
L	H	H	H	H	H	H	H	H	H	H	H	H	L
L	X	X	X	X	X	X	X	L	L	L	L	L	H
L	X	X	X	X	X	X	L	H	L	H	L	L	H
L	X	X	X	X	L	H	H	H	L	L	H	L	H
L	X	X	X	L	H	H	H	H	L	L	L	H	H
L	X	X	L	H	H	H	H	H	L	H	L	H	H
L	X	L	H	H	H	H	H	H	L	L	H	H	H
L	L	H	H	H	H	H	H	H	L	H	H	H	H

H = High voltage level
 L = Low voltage level
 X = Don't care

APPLICATION



8-input priority encoder

74F148

ABSOLUTE MAXIMUM RATINGS

(Operation beyond the limits set forth in this table may impair the useful life of the device.
Unless otherwise noted these limits are over the operating free-air temperature range.)

SYMBOL	PARAMETER	RATING	UNIT
V _{CC}	Supply voltage	-0.5 to +7.0	V
V _{IN}	Input voltage	-0.5 to +7.0	V
I _{IN}	Input current	-30 to +5	mA
V _{OUT}	Voltage applied to output in High output state	-0.5 to V _{CC}	V
I _{OUT}	Current applied to output in Low output state	40	mA
T _{amb}	Operating free-air temperature range	0 to +70	°C
T _{stg}	Storage temperature range	-65 to +150	°C

RECOMMENDED OPERATING CONDITIONS

SYMBOL	PARAMETER	LIMITS			UNIT
		MIN	NOM	MAX	
V _{CC}	Supply voltage	4.5	5.0	5.5	V
V _{IH}	High-level input voltage	2.0			V
V _{IL}	Low-level input voltage			0.8	V
I _{IK}	Input clamp current			-18	mA
I _{OH}	High-level output current			-1	mA
I _{OL}	Low-level output current			20	mA
T _{amb}	Operating free-air temperature range	0		+70	°C

DC ELECTRICAL CHARACTERISTICS

(Over recommended operating free-air temperature range unless otherwise noted.)

SYMBOL	PARAMETER	TEST CONDITIONS ¹	LIMITS			UNIT
			MIN	TYP ²	MAX	
V _{OH}	High-level output voltage	V _{CC} = MIN, V _{IL} = MAX	±10%V _{CC}	2.5		V
		V _{IH} = MIN, I _{OH} = MAX	±5%V _{CC}	2.7	3.4	
V _{OL}	Low-level output voltage	V _{CC} = MIN, V _{IL} = MAX	±10%V _{CC}		0.30	V
		V _{IH} = MIN, I _{OL} = MAX	±5%V _{CC}		0.30	
V _{IK}	Input clamp voltage	V _{CC} = MIN, I _I = I _{IK}		-0.73	-1.2	V
I _I	Input current at maximum input voltage	V _{CC} = MAX, V _I = 7.0V			100	μA
I _{IH}	High-level input current	V _{CC} = MAX, V _I = 2.7V			20	μA
I _{IL}	Low-level input current	I ₀	V _{CC} = MAX, V _I = 0.5V		-0.6	mA
		I ₁ - I ₇ , E _I			-1.2	mA
I _{OS}	Short-circuit output current ³	V _{CC} = MAX		-60	-150	mA
I _{CC}	Supply current (total) ⁴	V _{CC} = MAX		23	35	mA

NOTES:

- For conditions shown as MIN or MAX, use the appropriate value specified under recommended operating conditions for the applicable type.
- All typical values are at V_{CC} = 5V, T_{amb} = 25°C.
- Not more than one output should be shorted at a time. For testing I_{OS}, the use of high-speed test apparatus and/or sample-and-hold techniques are preferable in order to minimize internal heating and more accurately reflect operational values. Otherwise, prolonged shorting of a High output may raise the chip temperature well above normal and thereby cause invalid readings in other parameter tests. In any sequence of parameter tests, I_{OS} tests should be performed last.
- To measure I_{CC}, outputs must be open, V_{IN} on all inputs = 4.5V.

8-input priority encoder

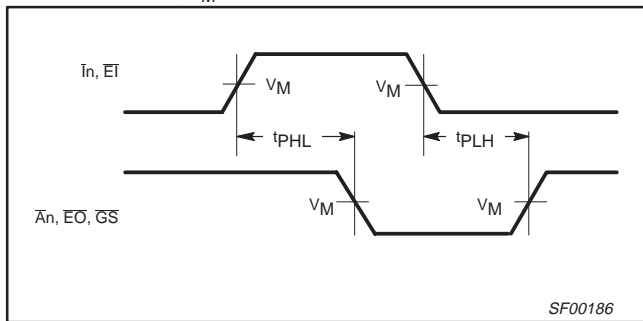
74F148

AC ELECTRICAL CHARACTERISTICS

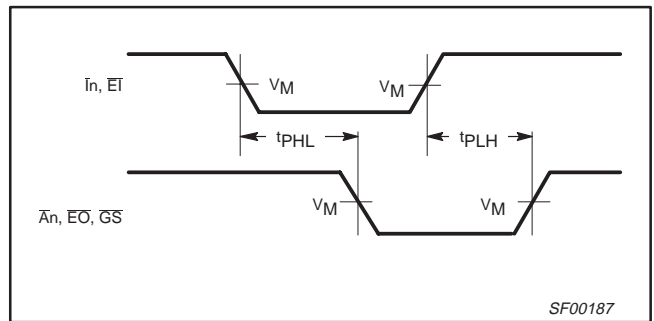
SYMBOL	PARAMETER	TEST CONDITION	LIMITS					UNIT
			V _{CC} = +5.0V T _{amb} = +25°C C _L = 50pF, R _L = 500Ω			V _{CC} = +5.0V ± 10% T _{amb} = 0°C to +70°C C _L = 50pF, R _L = 500Ω		
			MIN	TYP	MAX	MIN	MAX	
t _{PLH} t _{PHL}	Propagation delay In to \bar{A}_n	Waveform 2	3.5 3.5	6.0 6.0	9.0 9.0	3.5 3.5	10.0 10.0	ns
t _{PLH} t _{PHL}	Propagation delay In to EO	Waveform 1	1.5 1.5	3.0 2.5	6.5 6.5	1.5 1.5	7.5 7.5	ns
t _{PLH} t _{PHL}	Propagation delay In to \bar{G}_S	Waveform 2	2.0 2.0	4.0 4.0	8.0 8.0	2.0 2.0	9.0 9.0	ns
t _{PLH} t _{PHL}	Propagation delay EI to \bar{A}_n	Waveform 2	3.5 3.0	6.0 5.5	8.5 8.0	3.5 3.0	9.5 9.0	ns
t _{PLH} t _{PHL}	Propagation delay EI to \bar{G}_S	Waveform 2	2.5 3.0	4.5 5.5	7.0 7.5	2.5 3.0	8.0 8.5	ns
t _{PLH} t _{PHL}	Propagation delay EI to EO	Waveform 2	3.0 3.5	5.0 5.0	7.0 7.5	3.0 3.5	8.0 9.0	ns

AC WAVEFORMS

For all waveforms, V_M = 1.5V.



Waveform 1. For Inverting Outputs



Waveform 2. For Non-Inverting Outputs

TEST CIRCUIT AND WAVEFORMS

Test Circuit for Totem-Pole Outputs

Input Pulse Definition

DEFINITIONS:

- R_L = Load resistor; see AC ELECTRICAL CHARACTERISTICS for value.
- C_L = Load capacitance includes jig and probe capacitance; see AC ELECTRICAL CHARACTERISTICS for value.
- R_T = Termination resistance should be equal to Z_{OUT} of pulse generators.

family	INPUT PULSE REQUIREMENTS					
	amplitude	V _M	rep. rate	t _w	t _{TLH}	t _{THL}
74F	3.0V	1.5V	1MHz	500ns	2.5ns	2.5ns

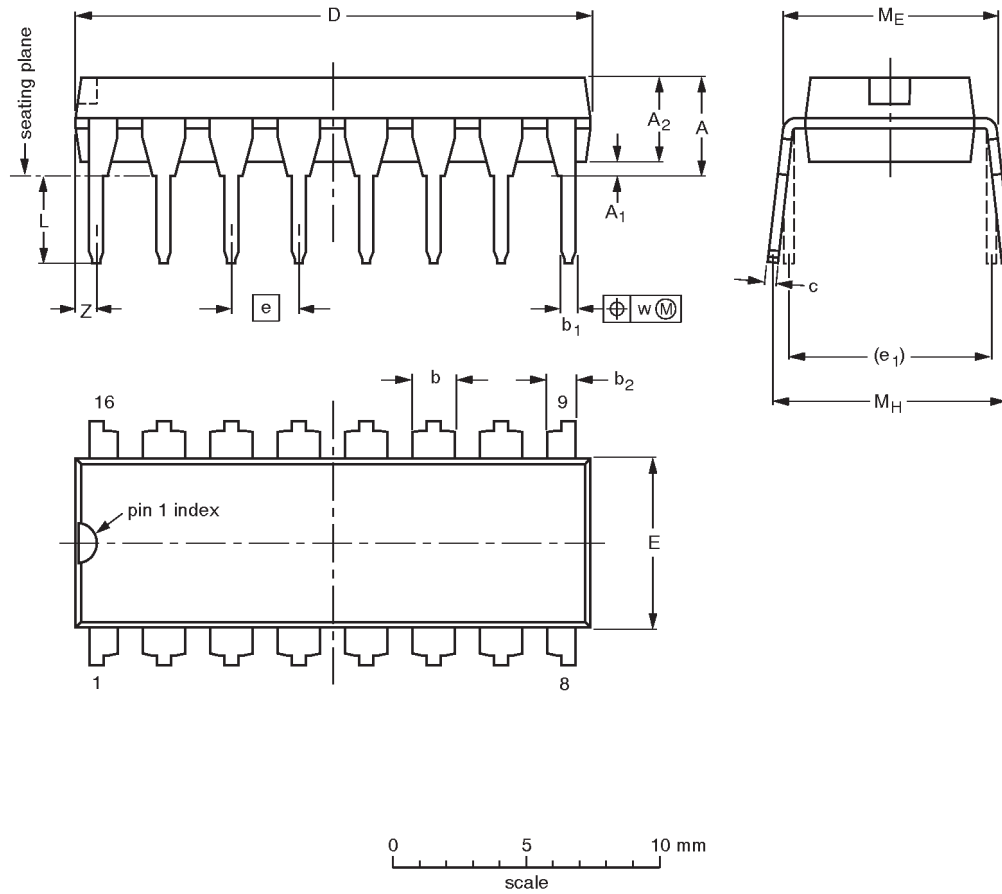
SF00006

8-input priority encoder

74F148

DIP16: plastic dual in-line package; 16 leads (300 mil)

SOT38-4



DIMENSIONS (inch dimensions are derived from the original mm dimensions)

UNIT	A max.	A ₁ min.	A ₂ max.	b	b ₁	b ₂	c	D ⁽¹⁾	E ⁽¹⁾	e	e ₁	L	M _E	M _H	w	Z ⁽¹⁾ max.
mm	4.2	0.51	3.2	1.73 1.30	0.53 0.38	1.25 0.85	0.36 0.23	19.50 18.55	6.48 6.20	2.54	7.62	3.60 3.05	8.25 7.80	10.0 8.3	0.254	0.76
inches	0.17	0.020	0.13	0.068 0.051	0.021 0.015	0.049 0.033	0.014 0.009	0.77 0.73	0.26 0.24	0.10	0.30	0.14 0.12	0.32 0.31	0.39 0.33	0.01	0.030

Note

1. Plastic or metal protrusions of 0.25 mm maximum per side are not included.

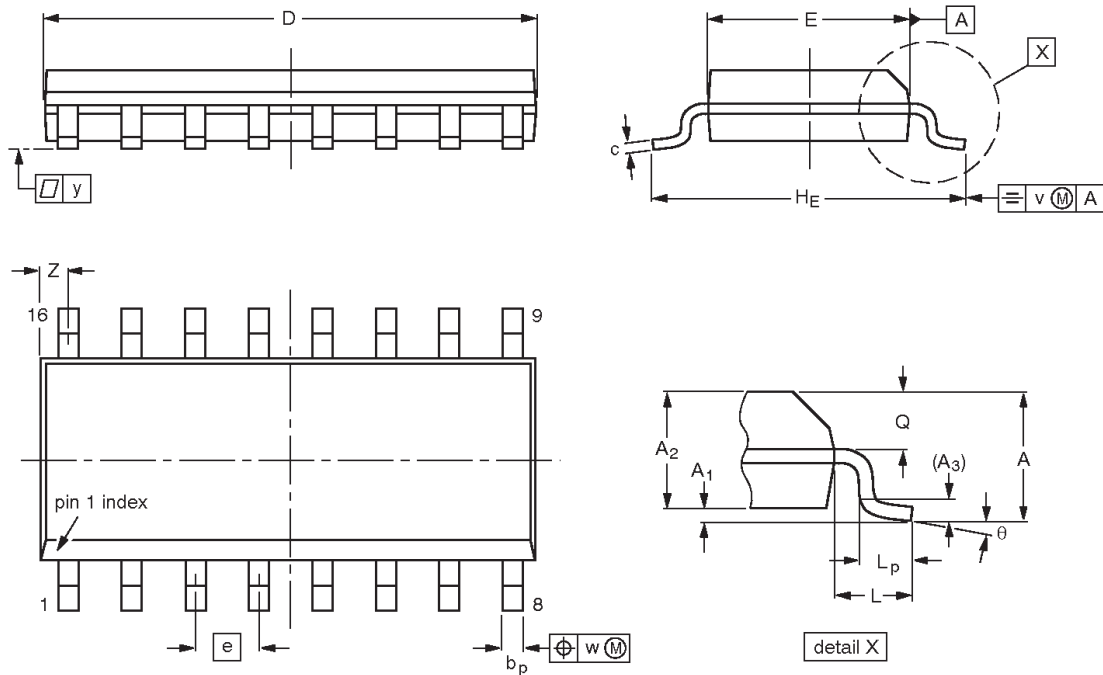
OUTLINE VERSION	REFERENCES				EUROPEAN PROJECTION	ISSUE DATE
	IEC	JEDEC	EIAJ			
SOT38-4						-92-11-17 95-01-14

8-input priority encoder

74F148

SO16: plastic small outline package; 16 leads; body width 3.9 mm

SOT109-1



DIMENSIONS (inch dimensions are derived from the original mm dimensions)

UNIT	A max.	A ₁	A ₂	A ₃	b _p	c	D ⁽¹⁾	E ⁽¹⁾	e	H _E	L	L _p	Q	v	w	y	Z ⁽¹⁾	θ
mm	1.75 0.10	0.25 1.25	1.45 0.25	0.25 0.36	0.49 0.19	0.25 0.19	10.0 9.8	4.0 3.8	1.27	6.2 5.8	1.05	1.0 0.4	0.7 0.6	0.25	0.25	0.1	0.7 0.3	8° 0°
inches	0.069 0.004	0.010 0.049	0.057 0.01	0.019 0.014	0.0100 0.0075	0.39 0.38	0.16 0.15	0.050	0.244 0.228	0.041	0.039 0.016	0.028 0.020	0.01	0.01	0.004	0.028 0.012		

Note

1. Plastic or metal protrusions of 0.15 mm maximum per side are not included.

OUTLINE VERSION	REFERENCES			EUROPEAN PROJECTION	ISSUE DATE
	IEC	JEDEC	EIAJ		
SOT109-1	076E07S	MS-012AC			95-01-23 97-05-22

8-input priority encoder

74F148

NOTES

8-input priority encoder

74F148

Data sheet status

Data sheet status	Product status	Definition [1]
Objective specification	Development	This data sheet contains the design target or goal specifications for product development. Specification may change in any manner without notice.
Preliminary specification	Qualification	This data sheet contains preliminary data, and supplementary data will be published at a later date. Philips Semiconductors reserves the right to make changes at any time without notice in order to improve design and supply the best possible product.
Product specification	Production	This data sheet contains final specifications. Philips Semiconductors reserves the right to make changes at any time without notice in order to improve design and supply the best possible product.

[1] Please consult the most recently issued datasheet before initiating or completing a design.

Definitions

Short-form specification — The data in a short-form specification is extracted from a full data sheet with the same type number and title. For detailed information see the relevant data sheet or data handbook.

Limiting values definition — Limiting values given are in accordance with the Absolute Maximum Rating System (IEC 134). Stress above one or more of the limiting values may cause permanent damage to the device. These are stress ratings only and operation of the device at these or at any other conditions above those given in the Characteristics sections of the specification is not implied. Exposure to limiting values for extended periods may affect device reliability.

Application information — Applications that are described herein for any of these products are for illustrative purposes only. Philips Semiconductors make no representation or warranty that such applications will be suitable for the specified use without further testing or modification.

Disclaimers

Life support — These products are not designed for use in life support appliances, devices or systems where malfunction of these products can reasonably be expected to result in personal injury. Philips Semiconductors customers using or selling these products for use in such applications do so at their own risk and agree to fully indemnify Philips Semiconductors for any damages resulting from such application.

Right to make changes — Philips Semiconductors reserves the right to make changes, without notice, in the products, including circuits, standard cells, and/or software, described or contained herein in order to improve design and/or performance. Philips Semiconductors assumes no responsibility or liability for the use of any of these products, conveys no license or title under any patent, copyright, or mask work right to these products, and makes no representations or warranties that these products are free from patent, copyright, or mask work right infringement, unless otherwise specified.

Philips Semiconductors
811 East Arques Avenue
P.O. Box 3409
Sunnyvale, California 94088-3409
Telephone 800-234-7381

© Copyright Philips Electronics North America Corporation 1998
All rights reserved. Printed in U.S.A.

print code

Date of release: 10-98

Document order number:

9397-750-05078

Let's make things better.