

## Low Power Design Using PICmicro™ Microcontrollers

Author: *Rodger Richey*  
Microchip Technology Inc.

### INTRODUCTION

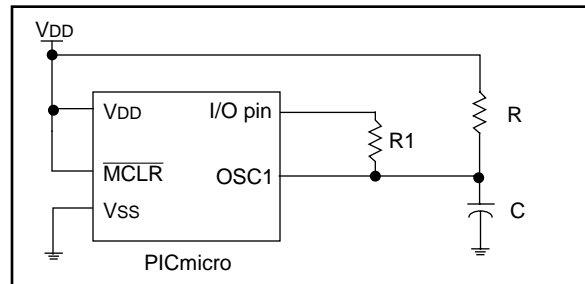
Power consumption is an important element in designing a system, particularly in today's battery powered world. The PICmicro family of devices has been designed to give the user a low-cost, low-power, and high-performance solution to this problem. For the application to operate at the lowest possible power, the designer must ensure that the PICmicro devices are properly configured. This application note describes some design techniques to lower current consumption, some battery design considerations, and suggestions to assist the designer in resolving power consumption problems.

### DESIGN TECHNIQUES

Many techniques are used to reduce power consumption in the PICmicro devices. The most commonly used methods are SLEEP Mode and external events. These modes are the best way to reduce  $I_{PD}$  in a system. The PICmicro device can periodically wake-up from Sleep using the Watchdog Timer or external interrupt, execute code and then go back into SLEEP Mode. In SLEEP Mode the oscillator is shut off, which causes the PICmicro device to consume very little current. Typical  $I_{PD}$  current in most PICmicro devices is on the order of a few microamps.

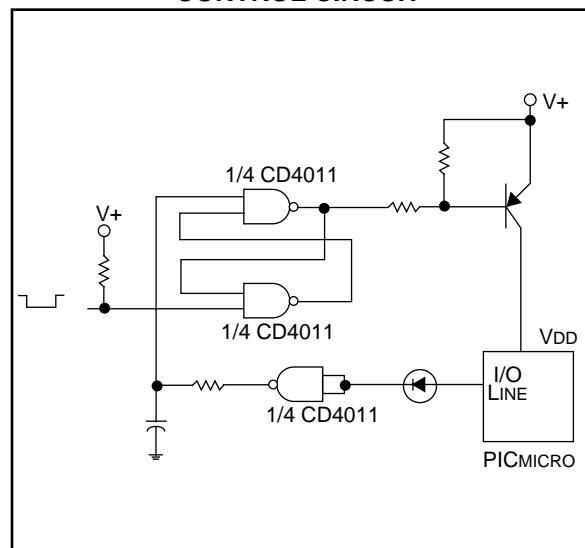
In cases where the PICmicro uses an RC oscillator but cannot use SLEEP Mode, another technique is used to lower power consumption. An I/O pin can remove a parallel resistance from the oscillator resistor while waiting for an event to occur. This would slow down the internal clock frequency, by increasing the resistance, and thus reduce  $I_{pd}$ . Once an event occurs the resistor can be switched in and the PICmicro device can process the event at full speed. Figure 1 shows how to implement this technique. The resistor **R1** would be used to increase the clock frequency by making the I/O pin an output and setting it to VDD.

**FIGURE 1: USING AN EXTERNAL RESISTOR TO LOWER POWER IN RC MODE**



External events can be used to control the power to PICmicro devices. For these cases, the Watchdog Timer can be disabled to further reduce current consumption. Figure 2 shows an example circuit that uses an external event to latch power on for the PICmicro device. Once the device has finished executing code, it disables power by resetting the latch. The latching circuit uses a low-power 4000 series CMOS quad chip which consumes a typical of 10  $\mu A$  of current. The measured value of current consumption for the complete circuit with the PICmicro powered-down was 1 nA. Current consumption for a PICmicro in SLEEP Mode is typically 1  $\mu A$ .

**FIGURE 2: EXTERNAL EVENT POWER CONTROL CIRCUIT**



# AN606

Power consumption is dependent on the oscillator frequency of the system. The device must operate fast enough to interface with external circuitry, yet slow enough to conserve power. The designer must account for oscillator start-up time, external circuitry initialization, and code execution time when calculating device power consumption. Table 1 shows various frequency oscillators, oscillator modes and the average current consumption of each mode. A PIC16C54 was used to collect data for Table 1 and the code is shown in Example 1. A current profile for a PIC16C54 in RC oscillator mode running at 261 kHz is shown in Figure 3. Figure 4 shows a current profile for a

PIC16C54 in XT mode running at 1 MHz. The current profile includes three regions: power-up, active, and sleep. The power-up region is defined as the time the PICmicro device is in Power-on Reset and/or Oscillator Start-up Time. The active region is the time that the PICmicro device is executing code and the sleep region is the time the device is in SLEEP Mode. When using a 32.768 kHz crystal in LP oscillator mode, the designer must check that the oscillator has stabilized during the Power-on Reset. Otherwise, the device may not come out of reset properly.

**TABLE 1: OSCILLATOR MODES**

Osc. Type	Frequency	Osc. Mode	Power-up Region Current, Time	Active Region Current, Time	Sleep Region Current, Time
Resistor / Capacitor	261 kHz	RC	51.2 $\mu$ A, 17.5 ms	396 $\mu$ A, 12.8 ms	0.32 $\mu$ A, 140 ms
Resistor / Capacitor	1.13 MHz	RC	61.4 $\mu$ A, 17.5 ms	810 $\mu$ A, 2.5 ms	0.3 $\mu$ A, 140 ms
Crystal	32.768 kHz	LP	51.2 $\mu$ A, 19 ms	23.5 $\mu$ A, 93 ms	0.3 $\mu$ A, 140 ms
Crystal	50 kHz	LP	61.4 $\mu$ A, 16 ms	39.4 $\mu$ A, 48.5 ms	0.28 $\mu$ A, 140 ms
Crystal	1 MHz	XT	92 $\mu$ A, 17.5 ms	443 $\mu$ A, 3 ms	0.35 $\mu$ A, 140 ms
Crystal	8 MHz	HS	123 $\mu$ A, 18 ms	2.11 mA, 250 $\mu$ s	0.3 $\mu$ A, 140 ms
Resonator	455 kHz	XT	38.4 $\mu$ A, 17.3 ms	421 $\mu$ A, 7 ms	0.34 $\mu$ A, 140 ms
Resonator	8 MHz	HS	143 $\mu$ A, 18 ms	2.5 mA, 250 $\mu$ s	0.29 $\mu$ A, 140 ms

**EXAMPLE 1: CURRENT PROFILE CODE**

```

TITLE "Current Profiling Program"
LIST P=16C54, F=INHX8M
INCLUDE "C:\PICMASTR\P16C5X.INC"
;*****
;*****
;;      This program initializes the PIC16C54, delays for 256 counts, then goes
;      to sleep. The WDT wakes up the PIC16C54.
;*****
;*****
;Define General Purpose register locations
      LSB      EQU 0x10      ;delay control register
      Reset Vector
      ORG 0
START
      MOVLW    0x0B          ;WDT Prescaler of 1:8
      OPTION
      CLRF     PORTA        ;clear PORTA
      CLRF     PORTB        ;clear PORTB
      CLRW     ;make PORTA and PORTB pins outputs
      TRIS     PORTA
      TRIS     PORTB
      CLRF     LSB
LOOP   DECFSZ   LSB,1
      GOTO     LOOP
      SLEEP     ;go to sleep
      END

```

FIGURE 3: CURRENT PROFILE (261 kHz RC MODE)

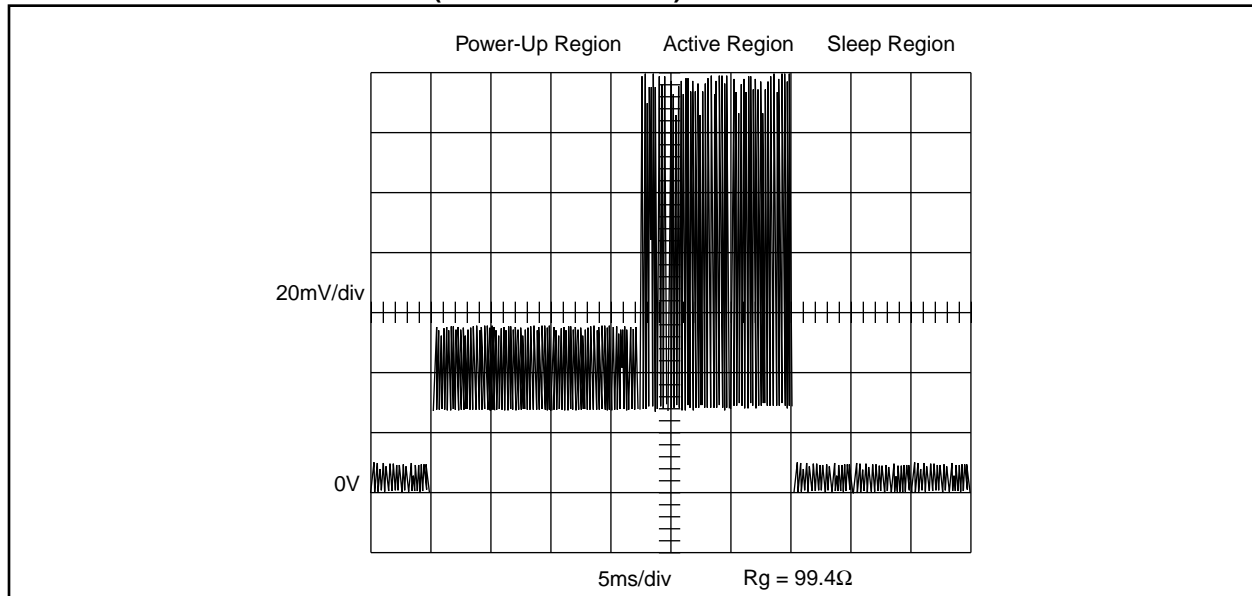
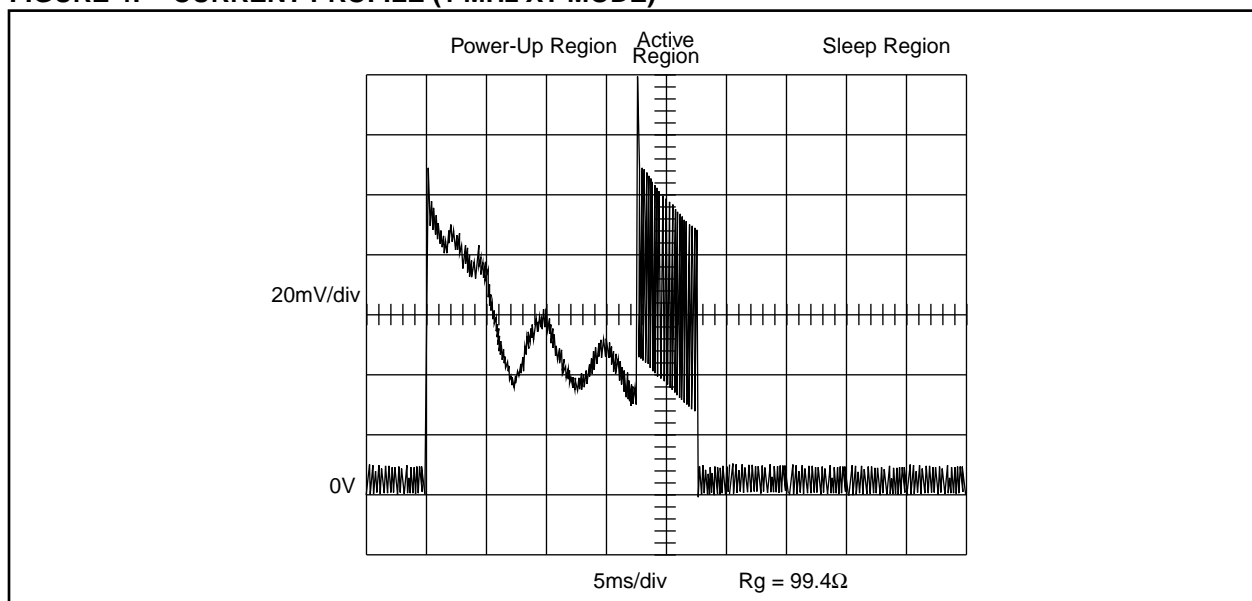


FIGURE 4: CURRENT PROFILE (1 MHz XT MODE)



Designing a system for lower supply voltages, typically 3V, is another method to reduce IPD. This type of design is best utilized in a battery powered system where current consumption is very low. A wide range of devices from op-amps and Analog-to-Digital (A/D) converters to CMOS logic products are being manufactured for low voltage operation. This gives the designer the flexibility to design a low voltage system with the same type of components that are available for a 5V design. Refer to the PICmicro device data sheets for IPD vs. VDD data.

Since any I/O pin can source or sink up to 20 mA, the PICmicro devices can provide power to other components. Simply connect the VDD pin of an external component to an I/O pin. Currently, most of the

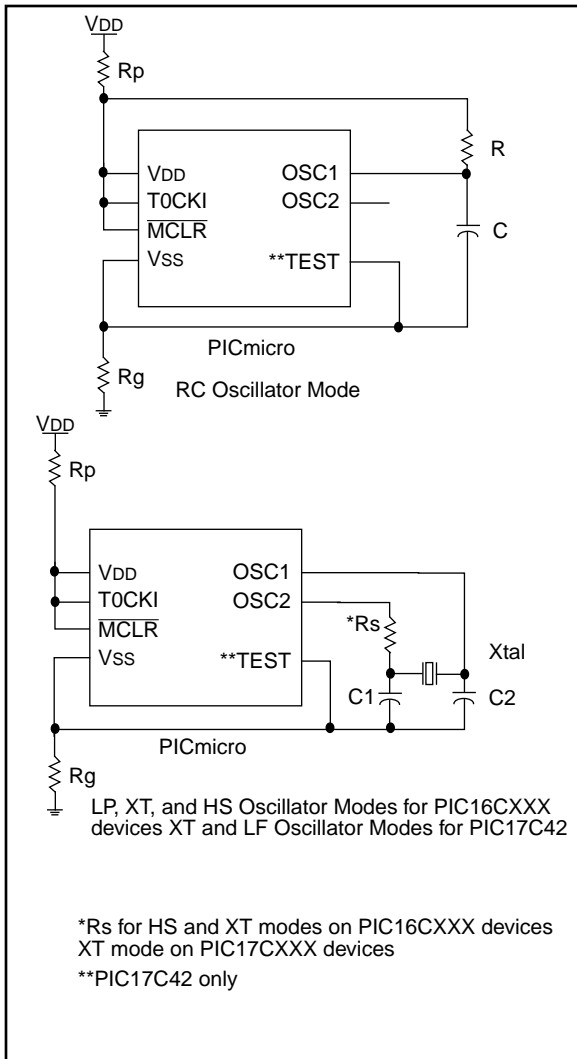
op-amps, A/D converters, and other devices manufactured today are low-power and can be powered by this technique. This provides the ability to turn off power to sections of the system during periods of inactivity.

Temperature will effect the current consumption of the PICmicro devices in different ways. Typically devices will consume more current at extreme temperatures and batteries will have less available current at those same temperatures. PICmicro devices will exhibit higher IPD currents at high temperatures. Refer to the PICmicro device data sheets for IPD vs. Temperature data.

## TROUBLESHOOTING IPD

The first step in troubleshooting IPD problems is to measure the IPD that the circuit is consuming. Circuits to measure IPD for all oscillator modes are shown in Figure 5 for PICmicro devices. The resistor Rp is used to measure the amount of current entering the VDD pin when resistor Rg is shorted. The resistor Rg is used to measure the amount of current leaving the VSS pin when resistor Rp is shorted. The value of Rp and Rg should be approximately 100Ω for all oscillator modes. The two values of current should be approximately the same when the PICmicro is operating at the lowest possible power. If you find that the values of IPD measured from both configurations are not equivalent or are higher than the specifications, the following suggestions should help to find the source of extra current.

**FIGURE 5: CIRCUITS TO MEASURE IPD FOR PICMICRO DEVICES**



Basically, if  $I_p$  is not equal to  $I_g$ , then an I/O pin is either sourcing ( $I_p > I_g$ ) current or sinking ( $I_p < I_g$ ) current.

- Is the  $\overline{MCLR}$  pin tied to VDD? Is the rate of rise of VDD slower than 0.05 V/ms? Does VDD start at VSS then rise? These conditions will not guarantee that the chip will come out of reset and function properly. Some of the circuits on PICmicro devices will start operating at lower voltage levels than other circuits. See Application Note AN522 "Power-Up Considerations" in the Microchip *Embedded Control Handbook*.
- Are all inputs being driven to VSS or VDD? If any input is not driven to either VSS or VDD, it will cause switching currents in the digital (i.e., flashing) input buffers. The exceptions are the oscillator pins and any pin configured as an analog input. During Power-on Reset or Oscillator Start-up time, pins that are floating may cause increased current consumption.
- All unused I/O pins should be configured as outputs and set high or low. This ensures that switching currents will not occur due to a floating input.
- Is the TMR0 (T0CKI) pin pulled to VSS or VDD? The TMR0 pin of PIC16C5X devices should be tied to VSS or VDD for the lowest possible current consumption.
- If an analog voltage is present at a pin, is that pin configured as an analog input? If an analog voltage is present at a pin configured as a digital input, the digital input buffers devices will consume more current due to switching currents.
- Are all on-chip peripherals turned off? Any on-chip peripheral that can operate with an external clock source, such as the A/D converter or asynchronous timers, will consume extra current.
- Are you using the PORTB internal pull-up resistors? If so and if any PORTB I/O pin is driving or receiving a zero, the additional current from these resistors must be considered in the overall current consumption.
- Is the Power-Up Timer being used? This will add additional current drain during power-up.
- If the currents measured at the Rp and Rg resistors are not the same, then current is being sourced or sunk by an I/O pin. Make sure that all I/O pins that are driving external circuitry are switched to a low power state. For instance, an I/O pin that is driving an LED should be switched to a state where the LED is off.
- Is the window of a JW package device covered? Light will affect the current consumption of a JW package device with the window left uncovered.

## IPD Analysis Using A Random Sample

The Microchip *1994 Microchip Data Book* specifies the typical IPD current for a PIC16C5X part at 4  $\mu\text{A}$  and the maximum IPD current at 12  $\mu\text{A}$ . These values are valid at a VDD voltage of 3V and a temperature range of 0°C to 70°C with the Watchdog Timer enabled. A control group of fifty PIC16C54's were randomly selected with pre-production and production samples. IPD tests were run on the group for a voltage range of 2.5V to 6.5V and for a temperature range of 0°C to 70°C. Table 2 compares the median and maximum values obtained by the IPD tests to the typical and maximum values in the data book. The IPD test data and the data book values are based on VDD = 3.0V, Watchdog Timer Enabled, and a temperature range of 0°C to 70°C.

The values in the data book are obtained from devices in which the manufacturing process has been skewed to various extremes. This should produce devices which function close to the minimum and maximum operating ranges for each parameter shown in the data book. The typical values obtained in the data book are actually the mean value of characterization data at a temperature of 25°C. The minimum and maximum values shown in the data book are the mean value of the characterization data at the worst case temperature, plus or minus three times the standard deviation. Statistically this means that 99.5% of all devices will operate at or below the typical value and much less than the maximum value.

**TABLE 2: IPD COMPARISON OF CONTROL GROUP vs. DATA BOOK VALUES**

Source	Typical or Median IPD	Maximum
Control Group	2.349 $\mu\text{A}$	3.048 $\mu\text{A}$
1994 Microchip Data Book	4 $\mu\text{A}$	12 $\mu\text{A}$

## BATTERY DESIGN

When designing a system to use batteries, the designer must consider the maximum current consumption, operating voltage range, size and weight constraints, operating temperature range, and the frequency of operation. Once the system design is finished, the designer must again ask some questions that will define what type of battery to use. What is the operating voltage range? What is the current drain rate? What are the size constraints? How long will the system be used? What type of battery costs can be tolerated? What range of temperatures will the system be operated?

It is difficult to state a rule of thumb for selecting batteries because there are many variables to consider. For example, operating voltages vary from one battery type to another. Lithium cells typically provide 3.0V while Nickel-Cadmium cells provide 1.2V. On the other hand, Lithium cells can withstand minimal discharge rates while Nickel-Cadmium can provide up to 30A of current. A designer must consider all characteristics of each battery type when making a selection. Appendix B contains a simple explanation of batteries, a characteristic table for some common battery types, and discharge curves for the common batteries.

It is very important when doing a low power design to correctly estimate the required capacity of the power source. At this point, the designer should be able to estimate the operating voltage, current drain rates and how long the system is supposed to operate. To explain how to estimate the required capacity of a system, we will use the first entry from Table 1 using an RC oscillator set at 261 kHz. Figure 3 shows the current profile for this entry. It can be seen that the profile has a period of 170.3 ms with a 17.5 ms power-up region, a 12.8 ms active region, and a 140 ms sleep region. Assuming that the system will be required to operate for six months, we can now calculate the capacity required to power this system. Example 2 will illustrate the procedure. If a system does not have a periodic current profile, then the percentages obtained in step 1 of Example 2 will have to be estimated.

## EXAMPLE 2: CAPACITY CALCULATION

- Calculate the percentage of time spent in power-up, active, and sleep regions.
  - power-up**  
 $(17.5 \text{ ms} / 170.3 \text{ ms}) \times 100 = 10.3\%$
  - active**  
 $(12.8 \text{ ms} / 170.3 \text{ ms}) \times 100 = 7.5\%$
  - sleep**  
 $(140 \text{ ms} / 170.3 \text{ ms}) \times 100 = 82.2\%$
- Calculate the number of hours in 6 months.
  - 6 months
  - x (30 days / month)
  - x (24 hours / day) = 4320 hours
- Using the number of hours, percentages, and currents calculate the capacity for each period of time
  - power-up**  
 $4320 \text{ hours} \times 10.3\% \times 51.2 \mu\text{A} = 22.8 \text{ mAh}$
  - active**  
 $4320 \text{ hours} \times 7.5\% \times 396 \mu\text{A} = 128.3 \text{ mAh}$
  - sleep**  
 $4320 \text{ hours} \times 82.2\% \times 0.32 \mu\text{A} = 1.14 \text{ mAh}$
- Sum the capacities of each period
  - $22.8 \text{ mAh} + 128.3 \text{ mAh} + 1.14 \text{ mAh} = 152.2 \text{ mAh}$

The capacity required to operate the circuit for six months is 152.2 mAh. Example 2 does not take into consideration temperature effects or leakage currents that are associated with batteries. The load resistance of a battery is affected by temperature which in turn changes the available voltage and current; however, the self discharge rate is higher.

## EXAMPLE DESIGN

A PIC16C54 with an LP oscillator of 32.768 kHz is used in this design. A Linear Technology low-power 12-bit A/D converter samples a temperature sensor. This data is transmitted via an LED at 300 baud to a receiver. The A/D converter, op-amp, and temperature sensor are powered from an I/O pin on the PIC16C54. The Watchdog Timer is enabled to periodically wake the system up from Sleep and take a sample. Figure 6 shows the schematic for the example design and Appendix A contains the source code.

This circuit has two operating modes, active and sleep. There was not a distinct power-up region in this design. In the circuit with the peripheral chips powered directly from the battery, the example design consumed 8 mA of current in the active mode and 6.5 mA in SLEEP Mode. With the peripheral chips powered from an I/O pin of the PIC16C54, the example design consumed 4 mA of current in the active mode and 0.5  $\mu\text{A}$  in SLEEP Mode. The advantage of using an I/O pin to provide

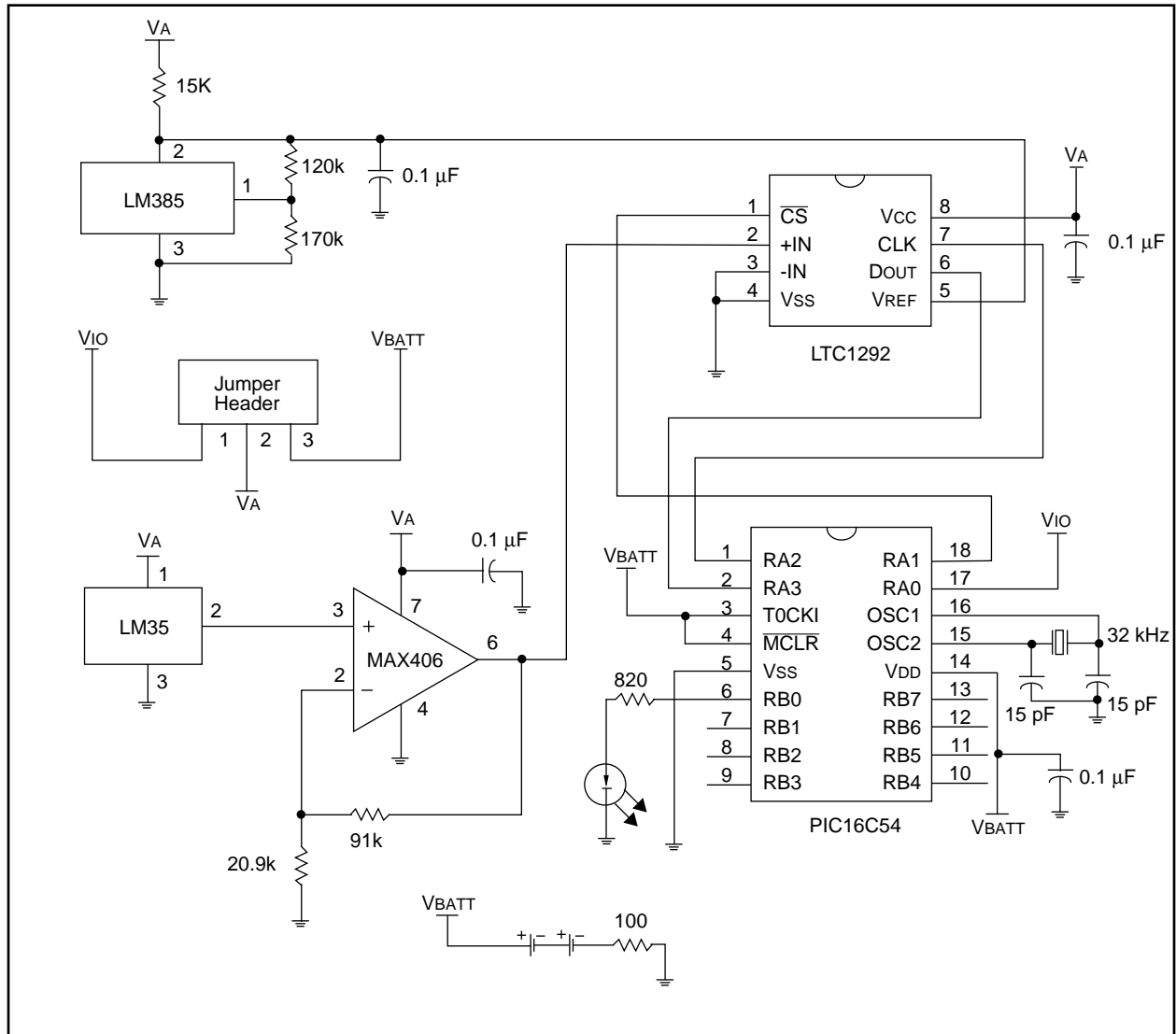
power to peripherals can be seen in a calculation of the capacity required to operate the circuit for one month. Example 3 details the two capacity calculations.

## EXAMPLE 3: CAPACITY CALCULATION FOR THE EXAMPLE DESIGN

- Calculate the percentage of time spent in the active and SLEEP Modes.
  - active - battery power**  
 $(210 \text{ ms} / 2.61 \text{ s}) \times 100 = 8\%$
  - sleep - battery power**  
 $(2.4 \text{ s} / 2.61 \text{ s}) \times 100 = 92\%$
  - active - I/O power**  
 $(188 \text{ ms} / 2.638 \text{ s}) \times 100 = 7.1\%$
  - sleep - I/O power**  
 $(2.45 \text{ s} / 2.638 \text{ s}) \times 100 = 92.9\%$
- Calculate the number of hours in 1 month.
  - 1 month
  - x (30 days / month)
  - x (24 hours / day)
  - = 720 hours
- Using the number of hours, percentages and currents calculate the capacity for each period of time.
  - active - battery power**  
 $720 \text{ hours} \times 8\% \times 8 \text{ mA} = 461 \text{ mAh}$
  - sleep - battery power**  
 $720 \text{ hours} \times 92\% \times 6.5 \text{ mA} = 4306 \text{ mAh}$
  - active - I/O power**  
 $720 \text{ hours} \times 7.1\% \times 4 \text{ mA} = 205 \text{ mAh}$
  - sleep - I/O power**  
 $720 \text{ hours} \times 92.9\% \times 0.5 \mu\text{A} = 0.4 \text{ mAh}$
- Sum the capacities of each period.
  - battery power**  
 $461 \text{ mAh} + 4306 \text{ mAh} = 4767 \text{ mAh}$
  - I/O power**  
 $205 \text{ mAh} + 0.4 \text{ mAh} = 206 \text{ mAh}$

The capacity required to operate this circuit for one month can be reduced by a factor of twenty just by powering the peripheral components from an I/O pin. The example design will use two Panasonic<sup>®</sup> BR2325 Lithium batteries in series to provide power to the circuit. This results in a V<sub>batt</sub> of 6V and a capacity of 165 mAh. Using the estimation process, the circuit should function for approximately 24 days. The actual time of operation was 24.2 days with the system running in an ambient temperature of 22°C.

**FIGURE 6: EXAMPLE DESIGN SCHEMATIC**



## SUMMARY

This application note has described some of the methods used to lower IPD and reduce overall system current consumption. Some obvious methods such as SLEEP Mode and low voltage design were given. Techniques such as powering components from I/O pins and oscillator mode and frequency selection can also be important in reducing IPD and overall system current. Some suggestions for troubleshooting IPD problems were presented. Finally, some considerations for designing a battery powered system were offered.

# AN606

Please check the Microchip BBS for the latest version of the source code. Microchip's Worldwide Web Address: [www.microchip.com](http://www.microchip.com); Bulletin Board Support: MCHIPBBS using CompuServe® (CompuServe membership not required).

## APPENDIX A: EXAMPLE DESIGN CODE

```
MPASM 01.02.05 Released      LOWPWR.ASM    1-9-1995  13:2:42                PAGE 1
Ipd/Battery Apnote Example Design
LOC OBJECT CODE      LINE SOURCE TEXT
VALUE

0001          TITLE "Ipd/Battery Apnote Example Design"
0002          LIST P=16C54, F=INHX8M
0003
0004          INCLUDE "P16C5X.INC"
0002 ;P16C5X.INC Standard Header File, Ver. 0.1 Microchip Technology, Inc.
0004
0005
0006 ;*****
0007 ;*****
0008 ;
0009 ;          Filename:          lowpwr.asm
0010 ;          REVISION:          9 Jan 95
0011 ;
0012 ;*****
0013 ;
0014 ; This program initializes the PIC, takes a sample, and outputs the
0015 ; value to PORTB pin 0 (the LED), and then goes to Sleep. The
0016 ; Watchdog Timer wakes the device up from Sleep. PORTA pin 0 is used
0017 ; to control power to peripherals.
0018 ;
0019 ;*****
0020 ;*****
0021
0022 ;          Define variable registers
0010 0023          MSB              EQU          0x10
0011 0024          LSB              EQU          0x11
0012 0025          DELAY_CNT        EQU          0x12
0013 0026          SHIFT            EQU          0x13
0014 0027          COUNT           EQU          0x14
0028
0029 ;          Reset Vector
0030          ORG          0x1FF
0010 01FF 0A00 0031          GOTO          START
0032
0033 ;          Start of main code
0034          ORG          0
0035
0036 ;*****
0037 ;          Main routine which initializes the device, and has main loop.
0038 ;*****
0000 0039          START
0000 0C2F 0040          MOVLW          0x2F              ;1:128 WDT PRESCALAR
0001 0002 0041          OPTION
0002 0C02 0042          MOVLW          0x02              ;RA1 SET HIGH
0003 0025 0043          MOVWF          PORTA
0004 0066 0044          CLRF          PORTB              ;ALL PINS SET TO Vss
0005 0C08 0045          MOVLW          0x08              ;RA3-DATA INPUT
0006 0005 0046          TRIS          PORTA              ;RA0-POWER,RA1-CS,RA2-CLOCK OUTPUTS
0007 0040 0047          CLRW              ;PORTB ALL OUTPUTS, RBO-LED OUTPUT
0008 0006 0048          TRIS          PORTB
0009 0071 0049          CLRF          LSB              ;CLEAR A/D RESULT REGISTERS
000A 0070 0050          CLRF          MSB
0051
000B 0004 0052          CLRWDI
```



```

000C 0911      0053      CALL    SAMPLE          ;GET SAMPLE FROM A/D
000D 0004      0054      CLRWDT
000E 0948      0055      CALL    OUTPUT          ;OUTPUT SAMPLE TO LED AT 300 BAUD
000F 0004      0056      CLRWDT
0010 0003      0057      SLEEP
                0058
                0059
0060 ;*****
0061 ;      Main routine for retrieving a sample from the A/D.
0062 ;*****
0011      0063 SAMPLE
0011 0505      0064      BSF     PORTA,0          ;TURN POWER ON TO PERIPHERALS
0012 0943      0065      CALL    DELAY           ;WAIT FOR PERIPHERALS TO STABILIZE
0013 0C0B      0066      MOVLW  0x0B           ;DATA COUNTER, 12 BIT A/D
0014 0034      0067      MOVWF  COUNT
0015 0C08      0068      MOVLW  0x08           ;SET SHIFT REGISTER
0016 0033      0069      MOVWF  SHIFT
0017 0000      0070      NOP
0018 0425      0071      BCF     PORTA,1          ;ENABLE A/D
0019 0000      0072      NOP
001A 0545      0073      BSF     PORTA,2          ;1ST CLOCK RISE
001B 0000      0074      NOP
001C 0445      0075      BCF     PORTA,2          ;1ST CLOCK FALL
001D 0000      0076      NOP
001E 0545      0077      BSF     PORTA,2          ;NULL BIT CLOCK RISE
001F 0000      0078      NOP
0020 0445      0079      BCF     PORTA,2          ;NULL BIT CLOCK FALL
0021 0000      0080      NOP
                0081
0022 0933      0082 LOOP    CALL    READ          ;READ DATA BIT
0023 0000      0083      NOP
0024 0545      0084      BSF     PORTA,2          ;BIT CLOCK RISE
0025 0000      0085      NOP
0026 0445      0086      BCF     PORTA,2          ;BIT CLOCK FALL
0027 0000      0087      NOP
0028 02F4      0088      DECFSZ  COUNT,F          ;CHECK LOOP COUNTER
0029 0A22      0089      GOTO    LOOP
002A 0933      0090      CALL    READ          ;READ LAST BIT
002B 0000      0091      NOP
002C 0545      0092      BSF     PORTA,2          ;SET CLOCK
002D 0000      0093      NOP
002E 0525      0094      BSF     PORTA,1          ;SET CS
002F 0000      0095      NOP
0030 0445      0096      BCF     PORTA,2          ;CLEAR CLOCK
0031 0405      0097      BCF     PORTA,0          ;POWER DOWN PERIPHERALS
0032 0800      0098      RETURN
                0099
0100 ;*****
0101 ;      Reads a bit from PORTA, data line from the A/D.
0102 ;*****
0033      0103 READ
0033 0004      0104      CLRWDT
0034 0774      0105      BTFSS  COUNT,3          ;CHECK IF AT BIT 8 - 11
0035 0A3B      0106      GOTO    RLOW           ;GOTO BITS 0 - 7
0036 0765      0107      BTFSS  PORTA,3          ;CHECK IF DATA IS CLEAR
0037 0A3F      0108      GOTO    REND           ;GOTO EXIT
0038 0213      0109      MOVF   SHIFT,W          ;ADD A ONE TO MSB IN THE CORRECT
0039 01F0      0110      ADDWF  MSB,F            ;BIT POSITION
003A 0A3F      0111      GOTO    REND
003B 0765      0112 RLOW    BTFSS  PORTA,3          ;CHECK IF DATA IS CLEAR
003C 0A3F      0113      GOTO    REND
003D 0213      0114      MOVF   SHIFT,W          ;ADD A ONE TO LSB IN THE CORRECT
003E 01F1      0115      ADDWF  LSB,F            ;BIT POSITION
003F 0333      0116 REND    RRF     SHIFT,F          ;SHIFT
0040 0603      0117      BTFSC  STATUS,C          ;IF ONE IS IN THE CARRY
0041 0333      0118      RRF     SHIFT,F          ;SHIFT AGAIN

```

# AN606

```
0042 0800          0119          RETURN
                   0120
                   0121 ;*****
0122 ;           Simple delay loop for 772 clock cycles.
                   0123 ;*****
0043              0124 DELAY
0043 0004          0125          CLRWDT           ;RESET WATCHDOG TIMER
0044 0072          0126          CLRFB    DELAY_CNT
0045 02F2          0127 DLOOPB  DECFSZ    DELAY_CNT,F
0046 0A45          0128          GOTO     DLOOPB
0047 0800          0129          RETURN
                   0130
                   0131
                   0132 ;*****
0133 ;           Output sample to LED at 300 baud.
                   0134 ;*****
0048              0135 OUTPUT
0048 0C08          0136          MOVLW    0x08           ;SHIFT 8 MSB BITS OUT
0049 0034          0137          MOVWF    COUNT
                   0138
004A 0370          0139 MSBOUT  RLF     MSB,F           ;SHIFT LSB INTO CARRY
004B 0703          0140          BTFSS    STATUS,C       ;IF CARRY IS SET
004C 0A50          0141          GOTO     MSBCLR
004D 0506          0142          BSF     PORTB,0       ;SET PORTB,0
004E 0968          0143          CALL    BAUD
004F 0A54          0144          GOTO     MSBCHK       ;CHECK FOR ALL 8 BITS TO BE SENT
0050 0406          0145 MSBCLR  BCF     PORTB,0       ;OTHERWISE CLEAR PORTB,0
0051 0000          0146          NOP
                   0147          NOP
0052 0000          0147          NOP
0053 0968          0148          CALL    BAUD
0054 02F4          0149 MSBCHK  DECFSZ    COUNT           ;CHECK FOR ALL 8 BITS TO BE SENT
0055 0A4A          0150          GOTO     MSBOUT
                   0151
0056 0C08          0152          MOVLW    0x08           ;SHIFT 8 LSB BITS OUT
0057 0034          0153          MOVWF    COUNT
                   0154
0058 0371          0155 LSBOUT  RLF     LSB,F           ;SHIFT LSB INTO CARRY
0059 0703          0156          BTFSS    STATUS,C       ;IF CARRY IS SET
005A 0A5E          0157          GOTO     LSBCLR
005B 0506          0158          BSF     PORTB,0       ;SET PORTB,0
005C 0968          0159          CALL    BAUD
005D 0A62          0160          GOTO     LSBCHK       ;CHECK FOR 8 BITS TO BE SENT
005E 0406          0161 LSBCLR  BCF     PORTB,0       ;OTHERWISE CLEAR PORTB,0
005F 0000          0162          NOP
                   0163          NOP
0060 0000          0163          NOP
0061 0968          0164          CALL    BAUD
0062 02F4          0165 LSBCHK  DECFSZ    COUNT           ;CHECK FOR 8 BITS TO BE SENT
0063 0A58          0166          GOTO     LSBOUT
0064 0406          0167          BCF     PORTB,0       ;CLEAR PORTB,0
0065 0071          0168          CLRFB    LSB           ;CLEAR LSB
0066 0070          0169          CLRFB    MSB           ;CLEAR MSB
0067 0800          0170          RETURN
                   0171
                   0172 ;*****
0173 ;           Delay loop for sending data to the LED at 300 baud.
                   0174 ;*****
0068              0175 BAUD
0068 0000          0176          NOP
0069 0000          0177          NOP
006A 0000          0178          NOP
006B 0000          0179          NOP
006C 0000          0180          NOP
006D 0000          0181          NOP
006E 0000          0182          NOP
006F 0000          0183          NOP
0070 0000          0184          NOP
```

```
0071 0000      0185      NOP
0072 0000      0186      NOP
0073 0000      0187      NOP
0074 0000      0188      NOP
0075 0800      0189      RETURN
                   0190
                   0191      END
                   0192
                   0193
```

MEMORY USAGE MAP ('X' = Used, '-' = Unused)

```
0000 : XXXXXXXXXXXXXXXXXXXX XXXXXXXXXXXXXXXXXXXX XXXXXXXXXXXXXXXXXXXX XXXXXXXXXXXXXXXXXXXX
0040 : XXXXXXXXXXXXXXXXXXXX XXXXXXXXXXXXXXXXXXXX XXXXXXXXXXXXXXXXXXXX XXXXXXXX-----

0180 : -----
01C0 : -----X
```

All other memory blocks unused.

```
Errors   :    0
Warnings :    0
Messages :    0
```

## APPENDIX B: BATTERY DESCRIPTIONS

Presently there are two types of batteries that are manufactured, primary and secondary. Primary batteries are those that must be thrown away once their energy has been expended. Low current drain, short duty cycles, and remote operation favor primary batteries such as Carbon Zinc and Alkaline. Secondary batteries can be recharged once they have exhausted their energy. High current drain or extended usage favors secondary batteries especially when the cost of replacement of disposable batteries is not feasible. Secondary batteries include Nickel-Cadmium and Nickel Metal Hydride.

A battery may be discharged by different means depending on the type of load. The type of load will have a significant effect on the life of the battery. The typical modes of discharge are constant resistance, constant current, and constant power. Constant resistance is when the load maintains a constant resistance throughout the discharge cycle. Constant current is the mode where the load draws the same current during discharge. Finally, constant power is defined as the current during a discharge increases as the battery voltage decreases.

The constant resistance mode results in the capacity of the battery being drained at a rapid and excessive rate, resulting in a short life. This is caused by the current during discharge following the drop in battery voltage. As a result, the levels of current and power during discharge are in excess of the minimum required.

The constant current mode has lower current and power throughout the discharge cycle than the constant resistance mode. The average current drain on the battery is lower and the discharge time to the end-voltage is longer.

The constant power discharge mode has the lowest average current drain and therefore has the longest life. During discharge, the current is lowest at the beginning of the cycle and increases as the battery voltage drops. Under this mode the battery can be discharged below its end voltage, because the current is increased as the voltage drops. The constant power mode provides the most uniform performance throughout the life of the battery and has the most efficient use of the energy in the battery.

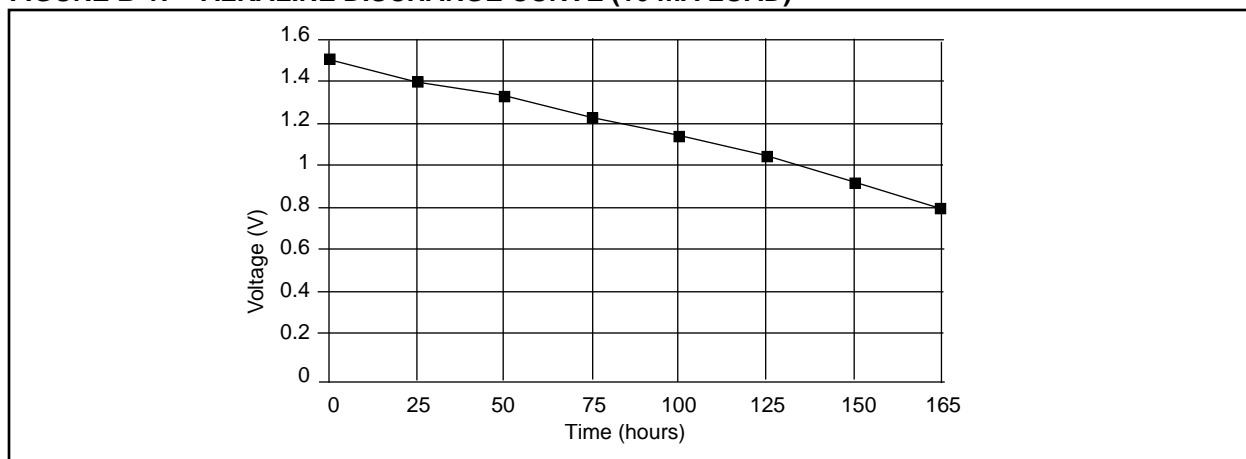
The nominal voltage is the no-load voltage of the battery, the operating voltage is the battery voltage with a load, and the end-of-life voltage is the voltage when the battery has expended its energy. Energy Density is used to describe the amount of energy per unit of volume or mass (Wh/kg or Wh/l). Generally, energy density decreases with decreasing battery size within a particular type of battery. Most batteries are rated by an amp-hour (Ah) or milliamp-hour (mAh) rating. This rating is based on a unit of charge, not energy. A 1-amp current corresponds to the movement of 1 coulomb (C) of charge past a given point in 1 second (s). Table B-1 lists some typical characteristics of the most common types of batteries.

**TABLE B-1: TYPICAL BATTERY CHARACTERISTICS**

	Carbon Zinc	Alkaline	Nickel Cadmium	Lithium	Nickel Metal Hydride	Zinc Air	Silver Oxide
Cell Voltage							
Nominal	1.5	1.5	1.2	3.0	1.2	1.4	1.6
Operating	1.25-1.15	1.25-1.15	1.25-1.00	2.5-3.0	1.25-1.0	1.35-1.1	1.5
End of life	0.8	0.9	0.9	1.75	0.9	0.9	0.9
Operating Temperature	-5°C to 45°C	-20°C to 55°C	-40°C to 70°C	-30°C to 70°C	-20°C to 50°C	0°C to 45°C	-20°C to 50°C
Energy Density (Wh/kg)	70	85	30	300	55	300	100
Capacity	60mAh to 18Ah	30mAh to 45Ah	150mAh to 4Ah	35mAh to 4Ah	500mAh to 5Ah	50mAh to 520mAh	15mAh to 210mAh
Advantages		High capacity, good low temp	good low temp, good high rate discharge	good low and high temp, good high rate discharge, long shelf life	better capacity than Nicad for same size	high energy density, good shelf life	good low temp, good shelf life
Limitations	Low energy density, poor low temp, poor high rate discharge		poor low rate discharge, disposal hazards	Violent reaction to water		Cannot stop reaction once started	poor high rate discharge
Relative Cost	low	low	medium	high	high	high	high
Type	Primary	Primary	Secondary	Primary	Secondary	Primary	Primary

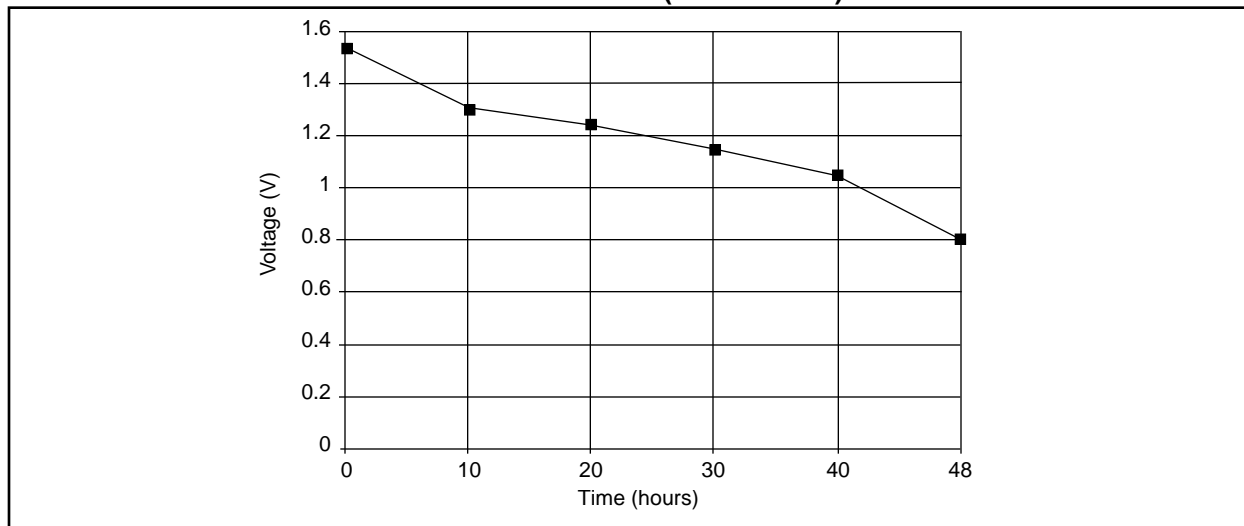
Typical discharge curves for alkaline, carbon zinc, lithium, nickel cadmium, nickel metal hydride, silver oxide, and zinc air are shown in Figure B-1 through Figure B-7. These curves are only typical representations of each battery type and are not specific to any battery manufacturer. Also the load and current drain are different for each type of battery.

**FIGURE B-1: ALKALINE DISCHARGE CURVE (16 mA LOAD)**

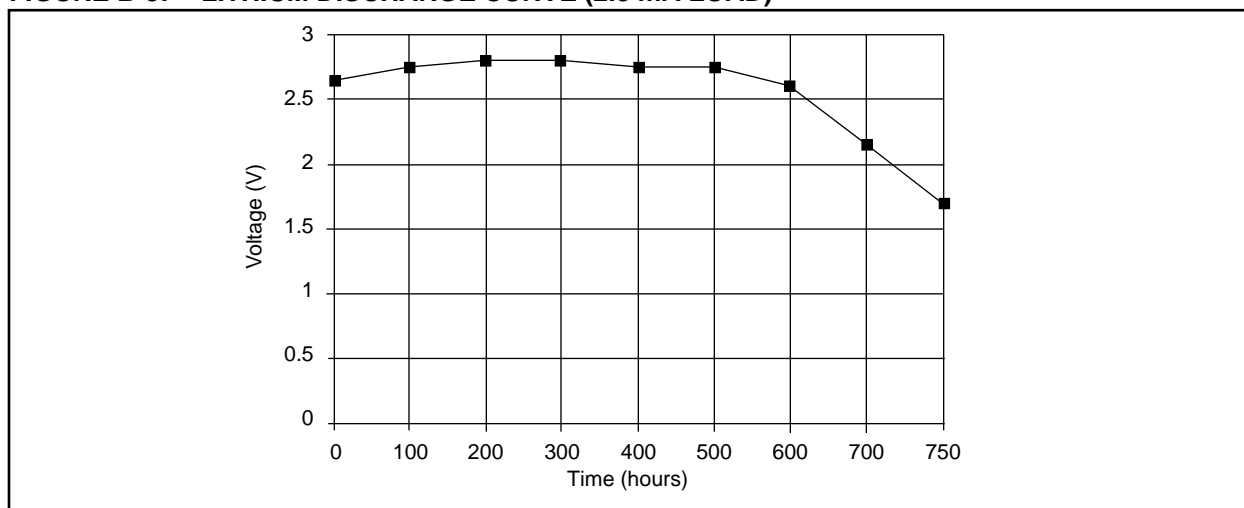


# AN606

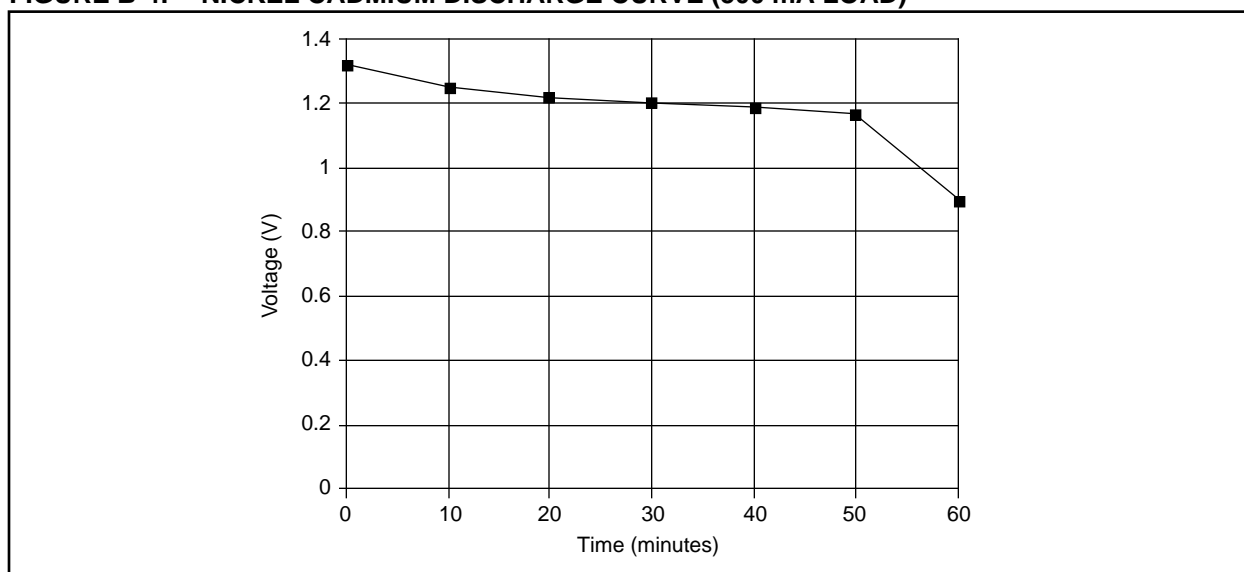
**FIGURE B-2: CARBON ZINC DISCHARGE CURVE (16 mA LOAD)**



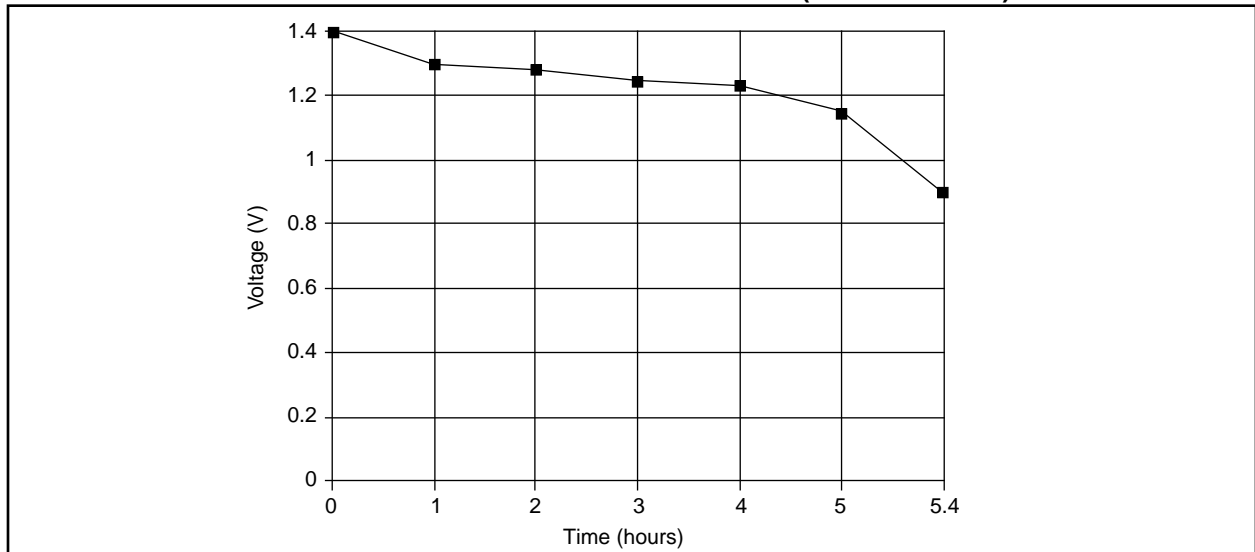
**FIGURE B-3: LITHIUM DISCHARGE CURVE (2.8 mA LOAD)**



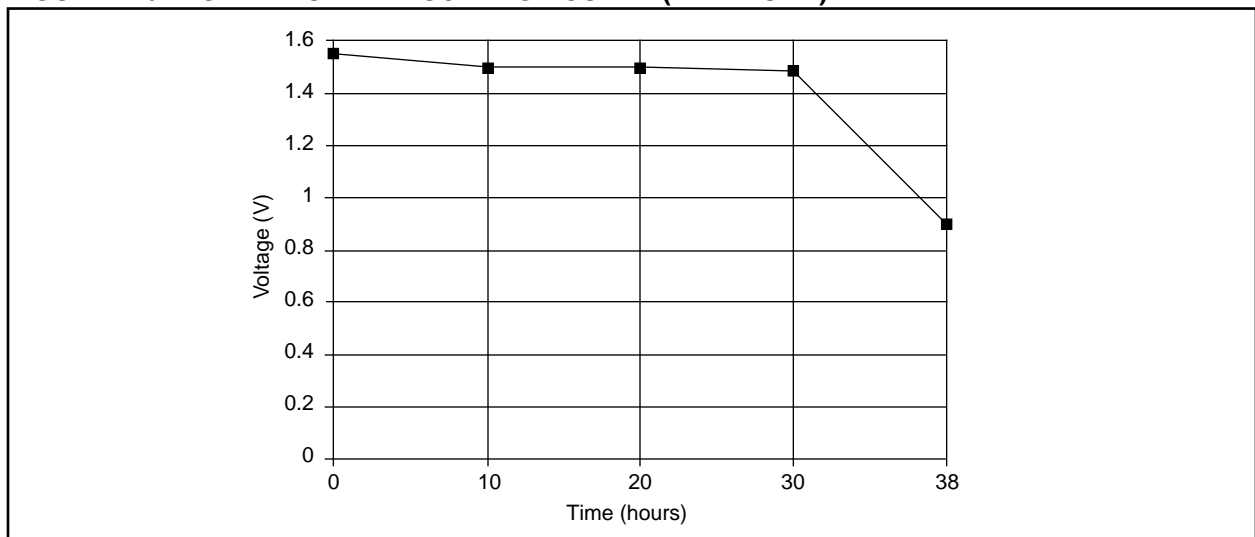
**FIGURE B-4: NICKEL CADMIUM DISCHARGE CURVE (500 mA LOAD)**



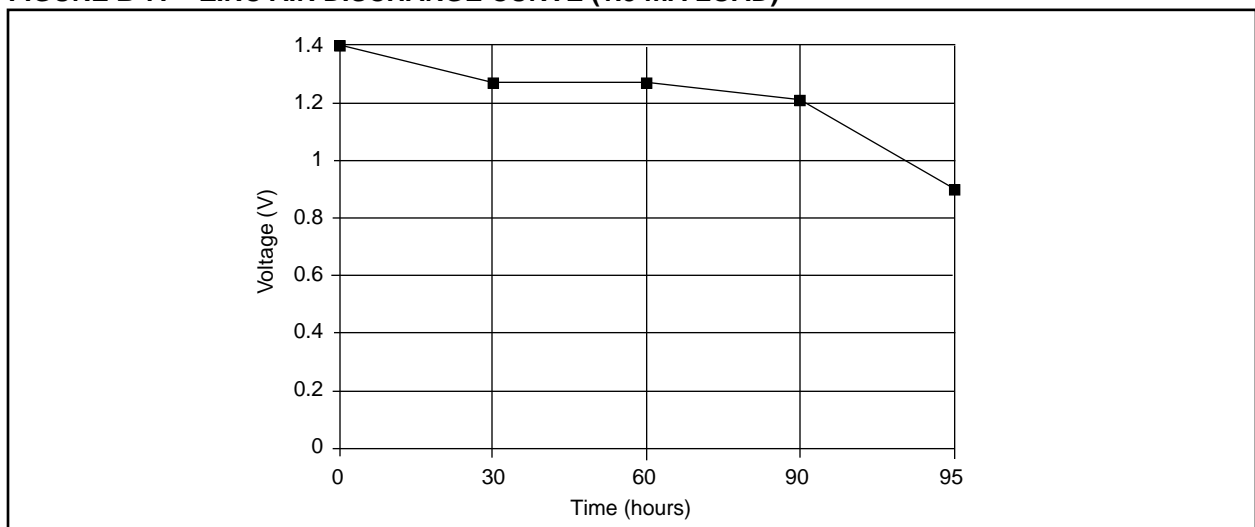
**FIGURE B-5: NICKEL METAL HYDRIDE DISCHARGE CURVE (1500 mA LOAD)**



**FIGURE B-6: SILVER OXIDE DISCHARGE CURVE (1 mA LOAD)**



**FIGURE B-7: ZINC AIR DISCHARGE CURVE (1.3 mA LOAD)**



---

---

**Note the following details of the code protection feature on PICmicro® MCUs.**

- The PICmicro family meets the specifications contained in the Microchip Data Sheet.
- Microchip believes that its family of PICmicro microcontrollers is one of the most secure products of its kind on the market today, when used in the intended manner and under normal conditions.
- There are dishonest and possibly illegal methods used to breach the code protection feature. All of these methods, to our knowledge, require using the PICmicro microcontroller in a manner outside the operating specifications contained in the data sheet. The person doing so may be engaged in theft of intellectual property.
- Microchip is willing to work with the customer who is concerned about the integrity of their code.
- Neither Microchip nor any other semiconductor manufacturer can guarantee the security of their code. Code protection does not mean that we are guaranteeing the product as “unbreakable”.
- Code protection is constantly evolving. We at Microchip are committed to continuously improving the code protection features of our product.

If you have any further questions about this matter, please contact the local sales office nearest to you.

---

Information contained in this publication regarding device applications and the like is intended through suggestion only and may be superseded by updates. It is your responsibility to ensure that your application meets with your specifications. No representation or warranty is given and no liability is assumed by Microchip Technology Incorporated with respect to the accuracy or use of such information, or infringement of patents or other intellectual property rights arising from such use or otherwise. Use of Microchip's products as critical components in life support systems is not authorized except with express written approval by Microchip. No licenses are conveyed, implicitly or otherwise, under any intellectual property rights.

#### **Trademarks**

The Microchip name and logo, the Microchip logo, FilterLab, KEELOQ, microID, MPLAB, PIC, PICmicro, PICMASTER, PICSTART, PRO MATE, SEEVAL and The Embedded Control Solutions Company are registered trademarks of Microchip Technology Incorporated in the U.S.A. and other countries.

dsPIC, ECONOMONITOR, FanSense, FlexROM, fuzzyLAB, In-Circuit Serial Programming, ICSP, ICEPIC, microPort, Migratable Memory, MPASM, MPLIB, MPLINK, MPSIM, MXDEV, PICC, PICDEM, PICDEM.net, rPIC, Select Mode and Total Endurance are trademarks of Microchip Technology Incorporated in the U.S.A.

Serialized Quick Turn Programming (SQTP) is a service mark of Microchip Technology Incorporated in the U.S.A.

All other trademarks mentioned herein are property of their respective companies.

© 2002, Microchip Technology Incorporated, Printed in the U.S.A., All Rights Reserved.

 Printed on recycled paper.



*Microchip received QS-9000 quality system certification for its worldwide headquarters, design and wafer fabrication facilities in Chandler and Tempe, Arizona in July 1999. The Company's quality system processes and procedures are QS-9000 compliant for its PICmicro® 8-bit MCUs, KEELOQ® code hopping devices, Serial EEPROMs and microperipheral products. In addition, Microchip's quality system for the design and manufacture of development systems is ISO 9001 certified.*





# MICROCHIP

## WORLDWIDE SALES AND SERVICE

### AMERICAS

#### Corporate Office

2355 West Chandler Blvd.  
Chandler, AZ 85224-6199  
Tel: 480-792-7200 Fax: 480-792-7277  
Technical Support: 480-792-7627  
Web Address: <http://www.microchip.com>

#### Rocky Mountain

2355 West Chandler Blvd.  
Chandler, AZ 85224-6199  
Tel: 480-792-7966 Fax: 480-792-7456

#### Atlanta

500 Sugar Mill Road, Suite 200B  
Atlanta, GA 30350  
Tel: 770-640-0034 Fax: 770-640-0307

#### Boston

2 Lan Drive, Suite 120  
Westford, MA 01886  
Tel: 978-692-3848 Fax: 978-692-3821

#### Chicago

333 Pierce Road, Suite 180  
Itasca, IL 60143  
Tel: 630-285-0071 Fax: 630-285-0075

#### Dallas

4570 Westgrove Drive, Suite 160  
Addison, TX 75001  
Tel: 972-818-7423 Fax: 972-818-2924

#### Detroit

Tri-Atria Office Building  
32255 Northwestern Highway, Suite 190  
Farmington Hills, MI 48334  
Tel: 248-538-2250 Fax: 248-538-2260

#### Kokomo

2767 S. Albright Road  
Kokomo, Indiana 46902  
Tel: 765-864-8360 Fax: 765-864-8387

#### Los Angeles

18201 Von Karman, Suite 1090  
Irvine, CA 92612  
Tel: 949-263-1888 Fax: 949-263-1338

#### New York

150 Motor Parkway, Suite 202  
Hauppauge, NY 11788  
Tel: 631-273-5305 Fax: 631-273-5335

#### San Jose

Microchip Technology Inc.  
2107 North First Street, Suite 590  
San Jose, CA 95131  
Tel: 408-436-7950 Fax: 408-436-7955

#### Toronto

6285 Northam Drive, Suite 108  
Mississauga, Ontario L4V 1X5, Canada  
Tel: 905-673-0699 Fax: 905-673-6509

### ASIA/PACIFIC

#### Australia

Microchip Technology Australia Pty Ltd  
Suite 22, 41 Rawson Street  
Epping 2121, NSW  
Australia  
Tel: 61-2-9868-6733 Fax: 61-2-9868-6755

#### China - Beijing

Microchip Technology Consulting (Shanghai)  
Co., Ltd., Beijing Liaison Office  
Unit 915  
Bei Hai Wan Tai Bldg.  
No. 6 Chaoyangmen Beidajie  
Beijing, 100027, No. China  
Tel: 86-10-85282100 Fax: 86-10-85282104

#### China - Chengdu

Microchip Technology Consulting (Shanghai)  
Co., Ltd., Chengdu Liaison Office  
Rm. 2401, 24th Floor,  
Ming Xing Financial Tower  
No. 88 TIDU Street  
Chengdu 610016, China  
Tel: 86-28-6766200 Fax: 86-28-6766599

#### China - Fuzhou

Microchip Technology Consulting (Shanghai)  
Co., Ltd., Fuzhou Liaison Office  
Unit 28F, World Trade Plaza  
No. 71 Wusi Road  
Fuzhou 350001, China  
Tel: 86-591-7503506 Fax: 86-591-7503521

#### China - Shanghai

Microchip Technology Consulting (Shanghai)  
Co., Ltd.  
Room 701, Bldg. B  
Far East International Plaza  
No. 317 Xian Xia Road  
Shanghai, 200051  
Tel: 86-21-6275-5700 Fax: 86-21-6275-5060

#### China - Shenzhen

Microchip Technology Consulting (Shanghai)  
Co., Ltd., Shenzhen Liaison Office  
Rm. 1315, 13/F, Shenzhen Kerry Centre,  
Renminnan Lu  
Shenzhen 518001, China  
Tel: 86-755-2350361 Fax: 86-755-2366086

#### Hong Kong

Microchip Technology Hongkong Ltd.  
Unit 901-6, Tower 2, Metroplaza  
223 Hing Fong Road  
Kwai Fong, N.T., Hong Kong  
Tel: 852-2401-1200 Fax: 852-2401-3431

#### India

Microchip Technology Inc.  
India Liaison Office  
Divyasree Chambers  
1 Floor, Wing A (A3/A4)  
No. 11, O'Shaugnessey Road  
Bangalore, 560 025, India  
Tel: 91-80-2290061 Fax: 91-80-2290062

### Japan

Microchip Technology Japan K.K.  
Benex S-1 6F  
3-18-20, Shinyokohama  
Kohoku-Ku, Yokohama-shi  
Kanagawa, 222-0033, Japan  
Tel: 81-45-471- 6166 Fax: 81-45-471-6122

### Korea

Microchip Technology Korea  
168-1, Youngbo Bldg. 3 Floor  
Samsung-Dong, Kangnam-Ku  
Seoul, Korea 135-882  
Tel: 82-2-554-7200 Fax: 82-2-558-5934

### Singapore

Microchip Technology Singapore Pte Ltd.  
200 Middle Road  
#07-02 Prime Centre  
Singapore, 188980  
Tel: 65-334-8870 Fax: 65-334-8850

### Taiwan

Microchip Technology Taiwan  
11F-3, No. 207  
Tung Hua North Road  
Taipei, 105, Taiwan  
Tel: 886-2-2717-7175 Fax: 886-2-2545-0139

### EUROPE

#### Denmark

Microchip Technology Nordic ApS  
Regus Business Centre  
Lautrup høj 1-3  
Ballerup DK-2750 Denmark  
Tel: 45 4420 9895 Fax: 45 4420 9910

#### France

Microchip Technology SARL  
Parc d'Activite du Moulin de Massy  
43 Rue du Saule Trapu  
Batiment A - 1er Etage  
91300 Massy, France  
Tel: 33-1-69-53-63-20 Fax: 33-1-69-30-90-79

#### Germany

Microchip Technology GmbH  
Gustav-Heinemann Ring 125  
D-81739 Munich, Germany  
Tel: 49-89-627-144 0 Fax: 49-89-627-144-44

#### Italy

Microchip Technology SRL  
Centro Direzionale Colleoni  
Palazzo Taurus 1 V. Le Colleoni 1  
20041 Agrate Brianza  
Milan, Italy  
Tel: 39-039-65791-1 Fax: 39-039-6899883

#### United Kingdom

Arizona Microchip Technology Ltd.  
505 Eskdale Road  
Winnersh Triangle  
Wokingham  
Berkshire, England RG41 5TU  
Tel: 44 118 921 5869 Fax: 44-118 921-5820

01/18/02