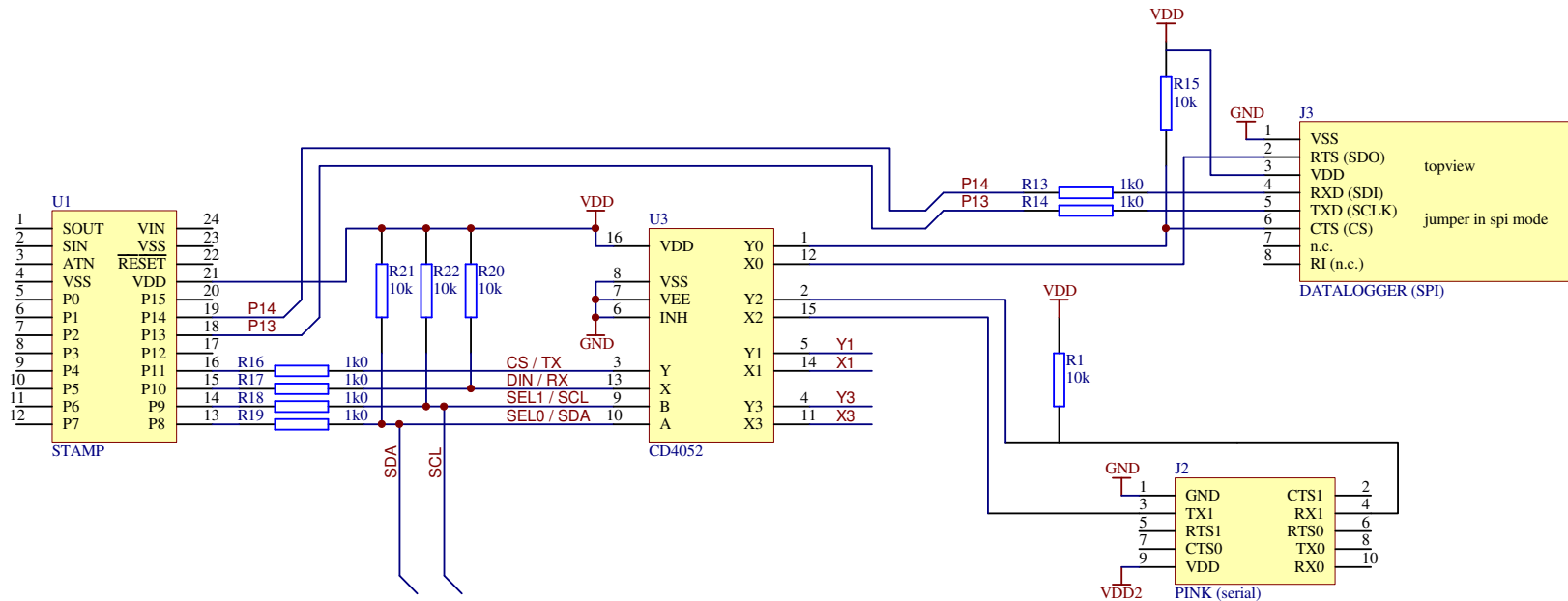


P9	P8	device selected	P10 connects	P11 connects	P13 connects	P14 connects
low	low	datalogger	SDO	CS	SCLK	SDI
low	input	EXP #1	X1	Y1	?	?
input	low	pink	TX1	RX1	not used	not used
input	input	EXP #3	X3	Y3	?	?
SCL	SDA	switching	input	high	high	high



**Multiplex SPI, serial and I2C**