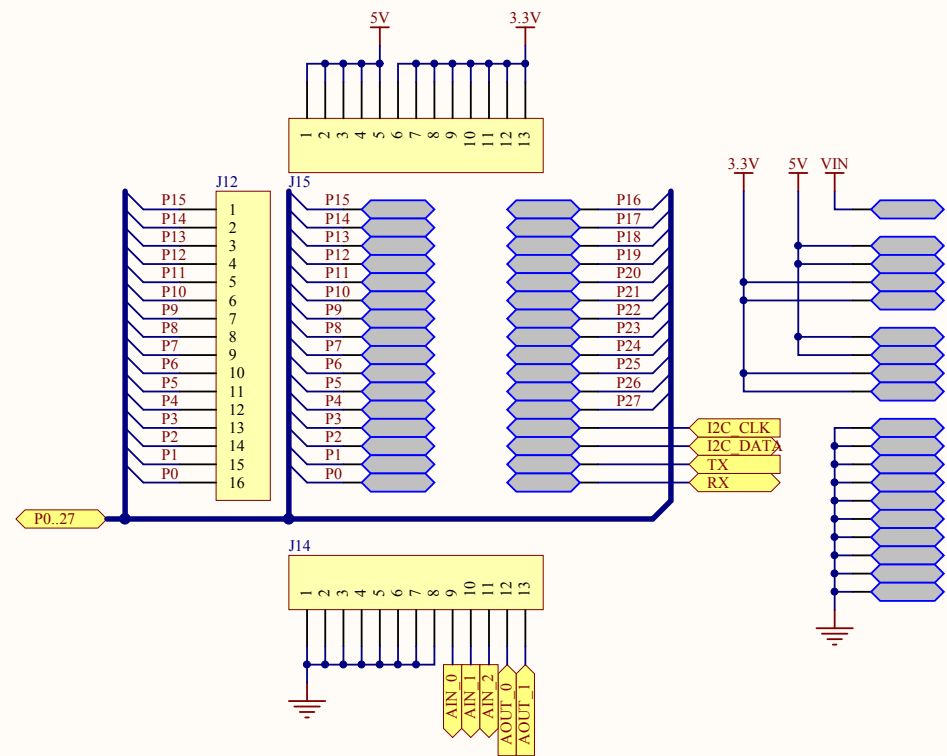
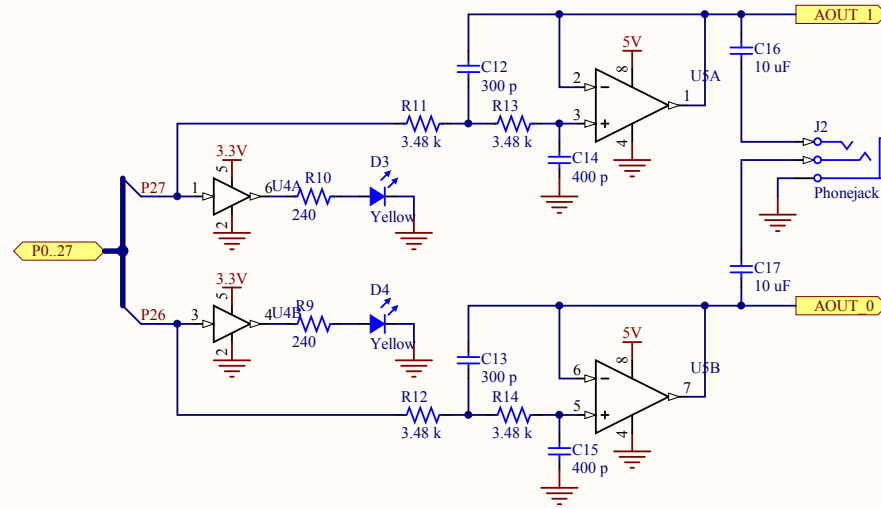


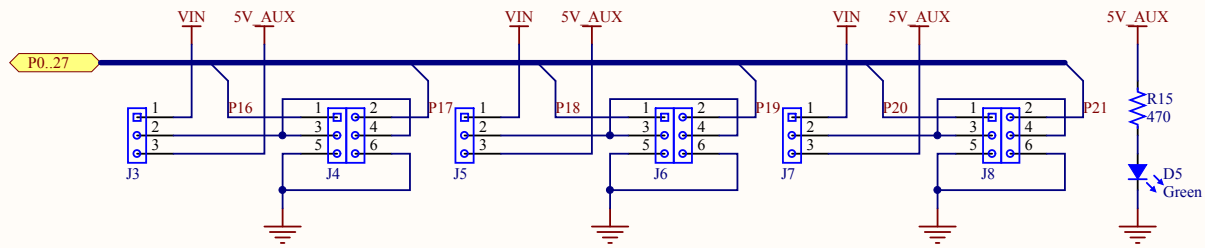
Title		
Size	Number	Revision
Letter		
Date:	4/18/2011	Sheet of
File:	G:\Altium Projects\...\ADC.SchDoc	Drawn By:



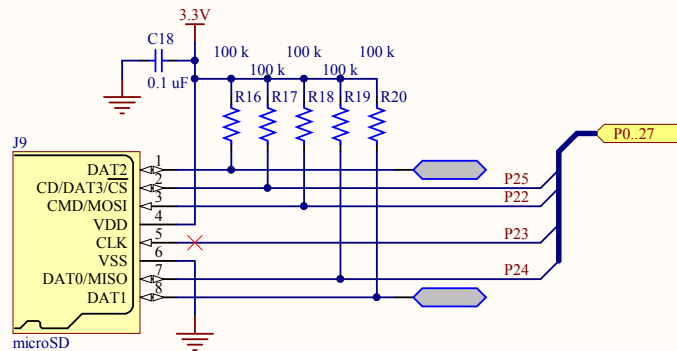
Title		
Size	Number	Revision
Letter		
Date:	4/18/2011	Sheet of
File:	G:\Altium Projects\...\Breadboard.SchDoc	Drawn By:



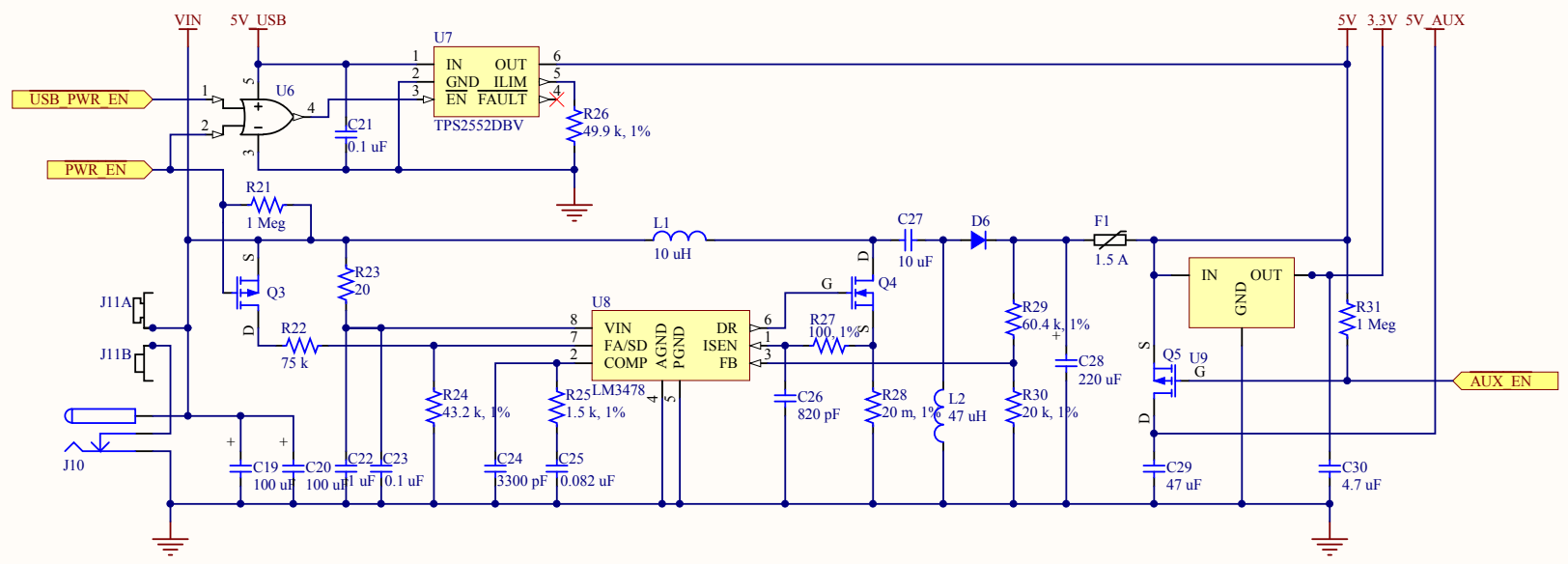
Title		
Size	Number	Revision
Letter		
Date:	4/18/2011	Sheet of
File:	G:\Altium Projects\...\DAC.SchDoc	Drawn By:



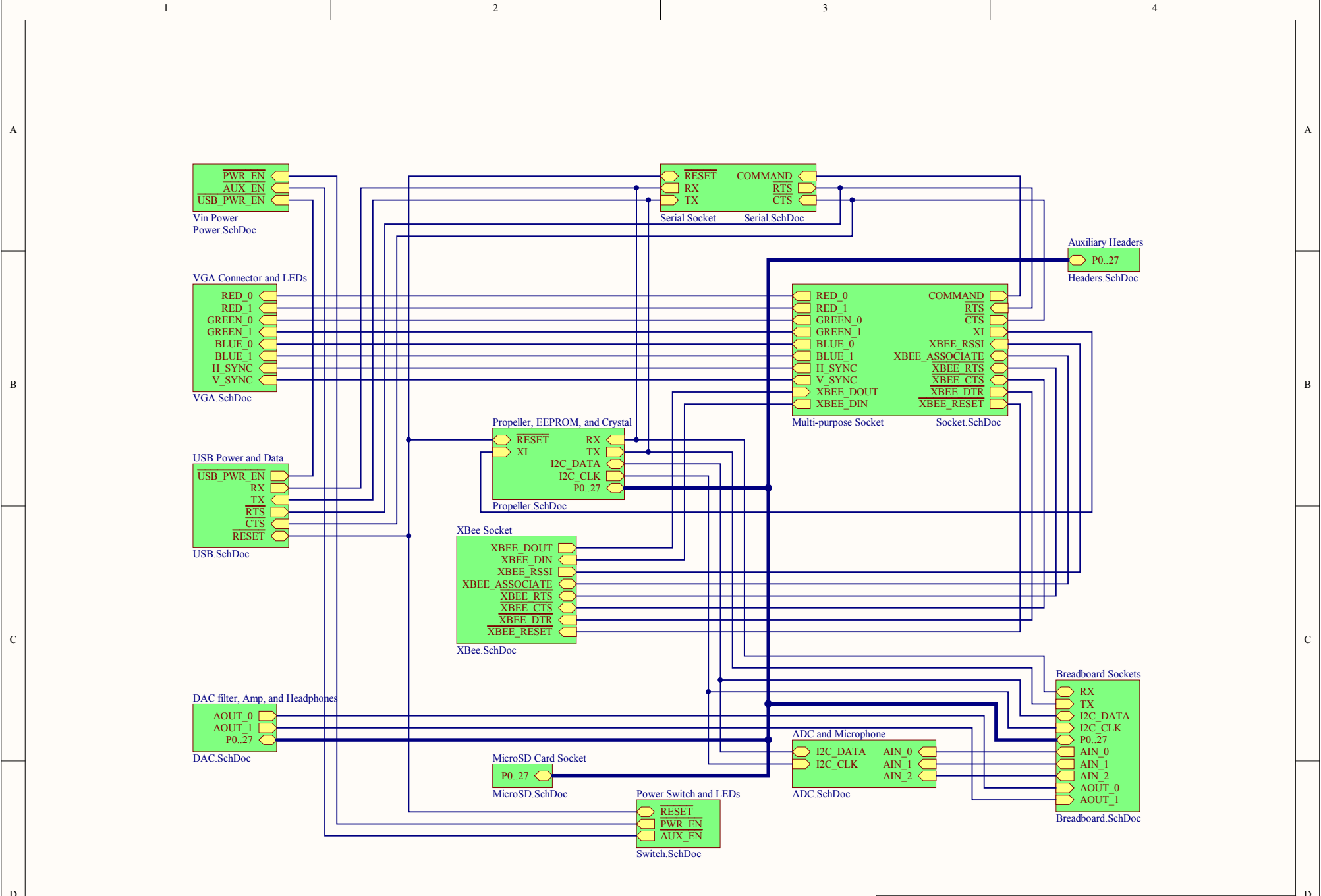
Title		
Size Letter	Number	Revision
Date:	4/18/2011	Sheet of
File:	G:\Altium Projects\...\Headers.SchDoc	Drawn By:



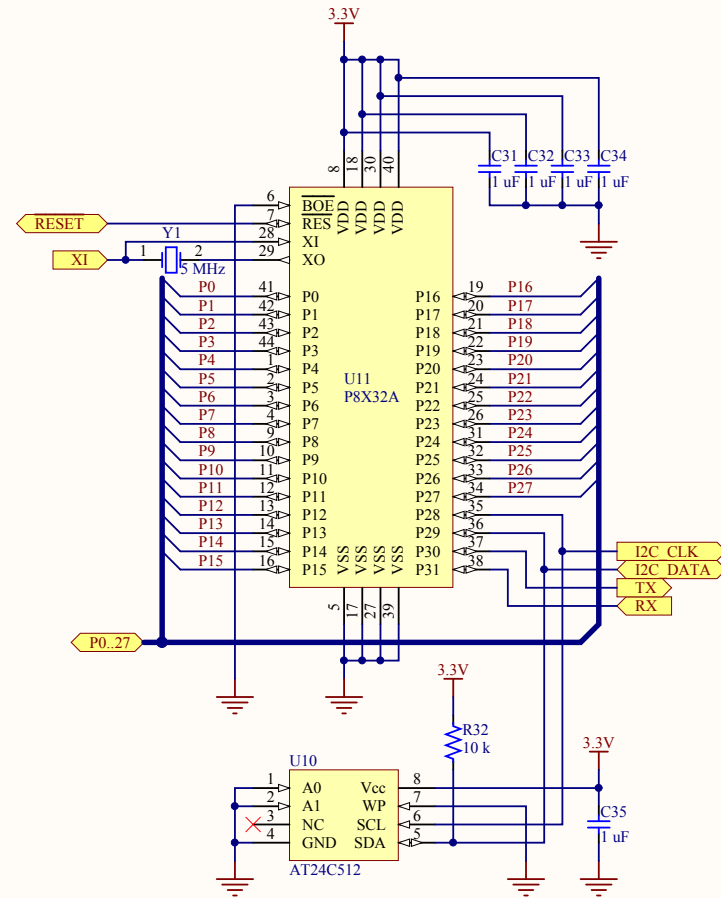
Title		
Size	Number	Revision
Letter		
Date:	4/18/2011	Sheet of
File:	G:\Altium Projects\...\MicroSD.SchDoc	Drawn By:



Title		
Size	Number	Revision
Letter		
Date:	4/18/2011	Sheet of
File:	G:\Altium Projects\...\Power.SchDoc	Drawn By:



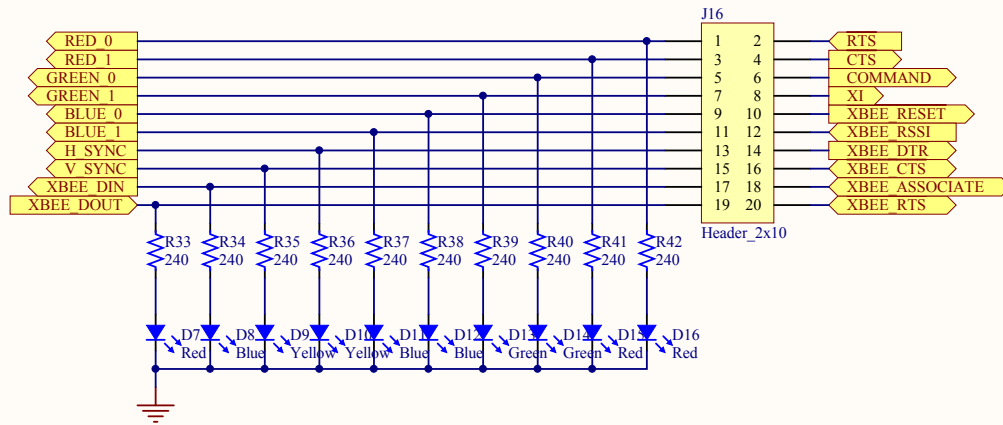
Title		
Size	Number	Revision
Letter		
Date:	4/18/2011	Sheet of
File:	G:\Altium Projects\...\PropBOE.SchDoc	Drawn By:



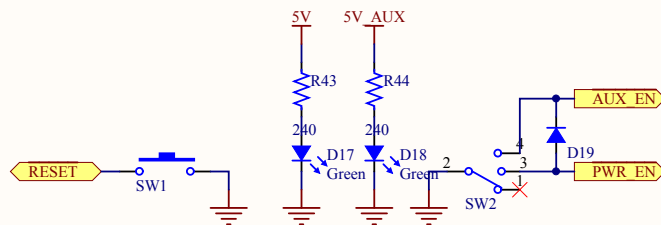
Title		
Size	Number	Revision
Letter		
Date:	4/18/2011	Sheet of
File:	G:\Altium Projects\...\Propeller.SchDoc	Drawn By:



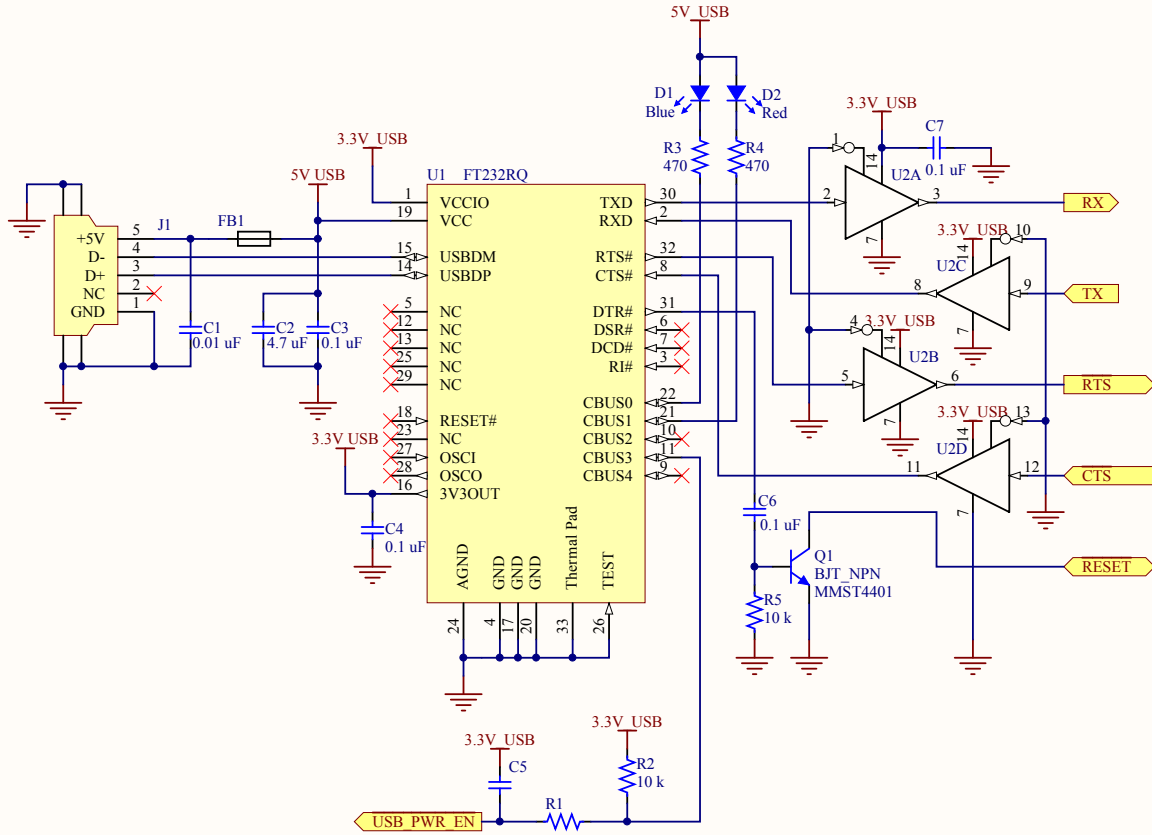




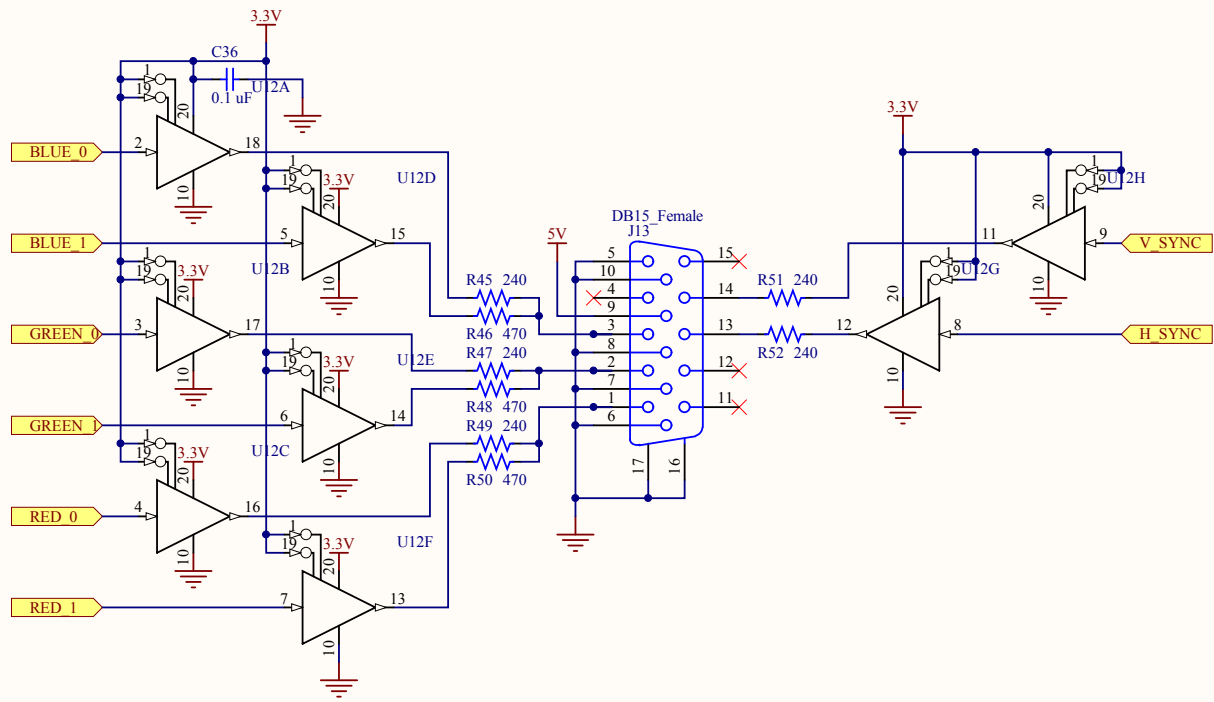
Title		
Size	Number	Revision
Letter		
Date:	4/18/2011	Sheet of
File:	G:\Altium Projects\...\Socket.SchDoc	Drawn By:



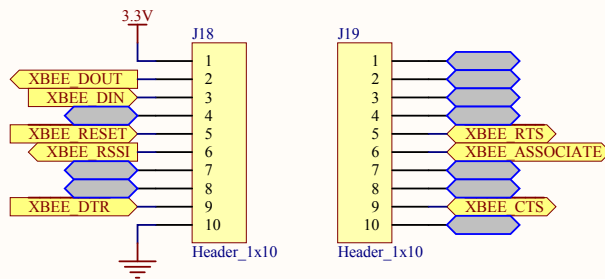
Title		
Size Letter	Number	Revision
Date:	4/18/2011	Sheet of
File:	G:\Altium Projects\...\Switch.SchDoc	Drawn By:



Title		
Size	Number	Revision
Letter		
Date:	4/18/2011	Sheet of
File:	G:\Altium Projects\...\USB_SchDoc	Drawn By:



Title		
Size	Number	Revision
Letter		
Date:	4/18/2011	Sheet of
File:	G:\Altium Projects\...\VGA.SchDoc	Drawn By:



Title		
Size	Number	Revision
Letter		
Date:	4/18/2011	Sheet of
File:	G:\Altium Projects\...\XBee.SchDoc	Drawn By: