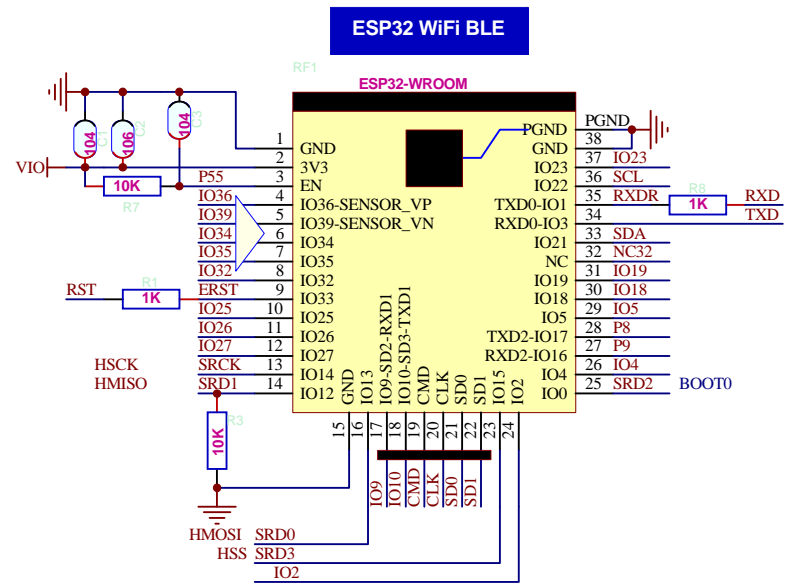
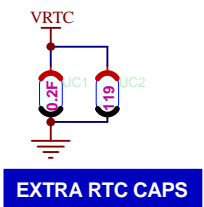
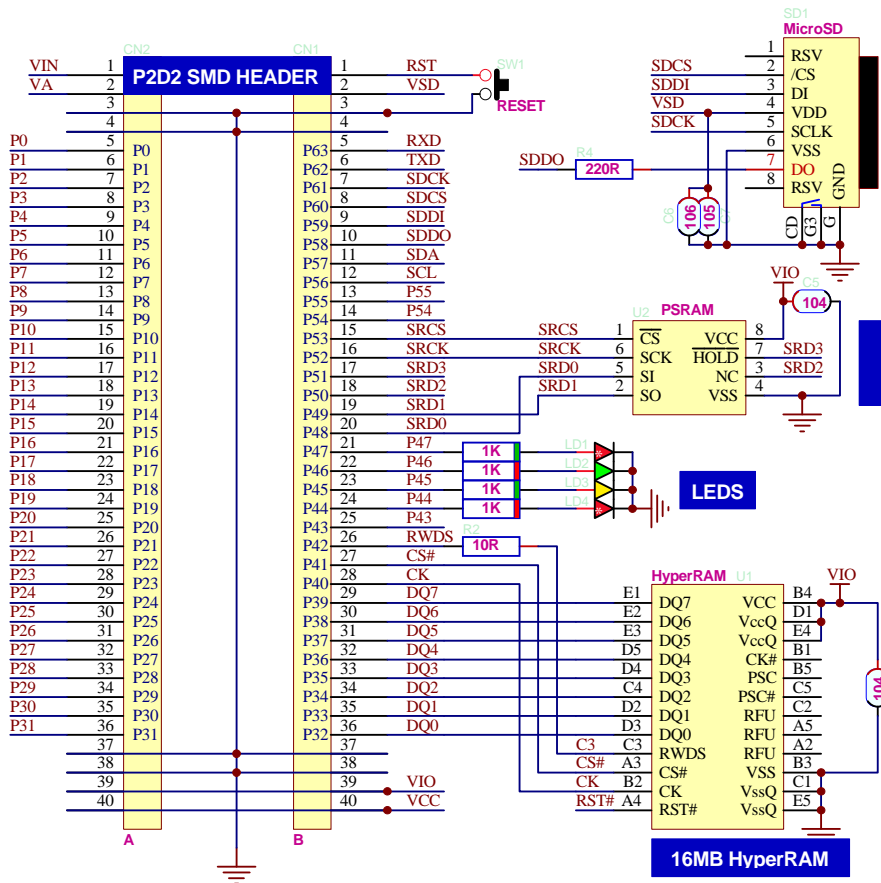
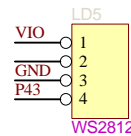
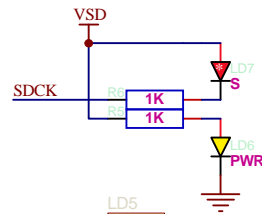


SLAVE MICRO TESTING OPTION



pbjtech
BRISBANE, AUSTRALIA

P2PAL LAYER

FILE: P2D2PAL.Sch

SMD expansion layer for P2D2 with WiFi, microSD, RAM and LEDS

Ver 1 .0	1 of 1	3	28-Jul-2020	01:57:26	DWN	PBJ
----------	--------	---	-------------	----------	-----	-----