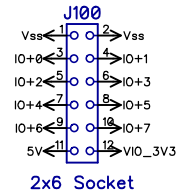
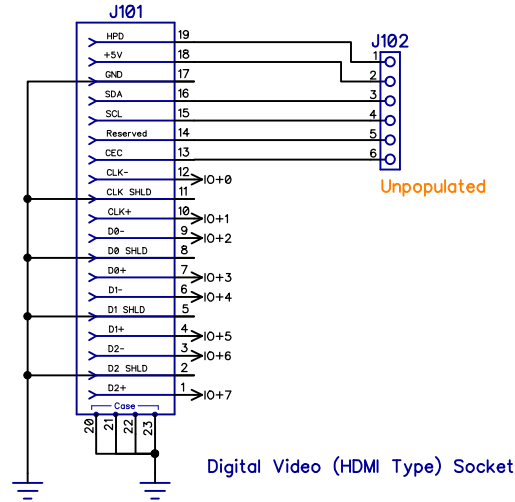


Digital Video Output (DVO)

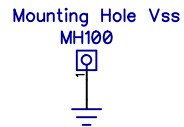
Edge expansion socket



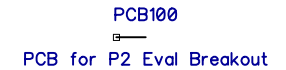
Digital Video Socket



Mounting holes



BOM only - mfg



Parallax Inc.
599 Menlo Drive
Rocklin, CA 95765

(916) 624-8333
<http://www.parallax.com/>

Parallax P2X8C4M64P-ES Accessory Set

ENGINEERING SAMPLE - NOT FOR RESALE
PRE-PRODUCTION EVALUATION

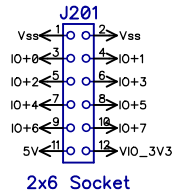
Copyright 2018 Parallax Incorporated. All Rights Reserved.

Part Number: 64006-ES
Revision: A

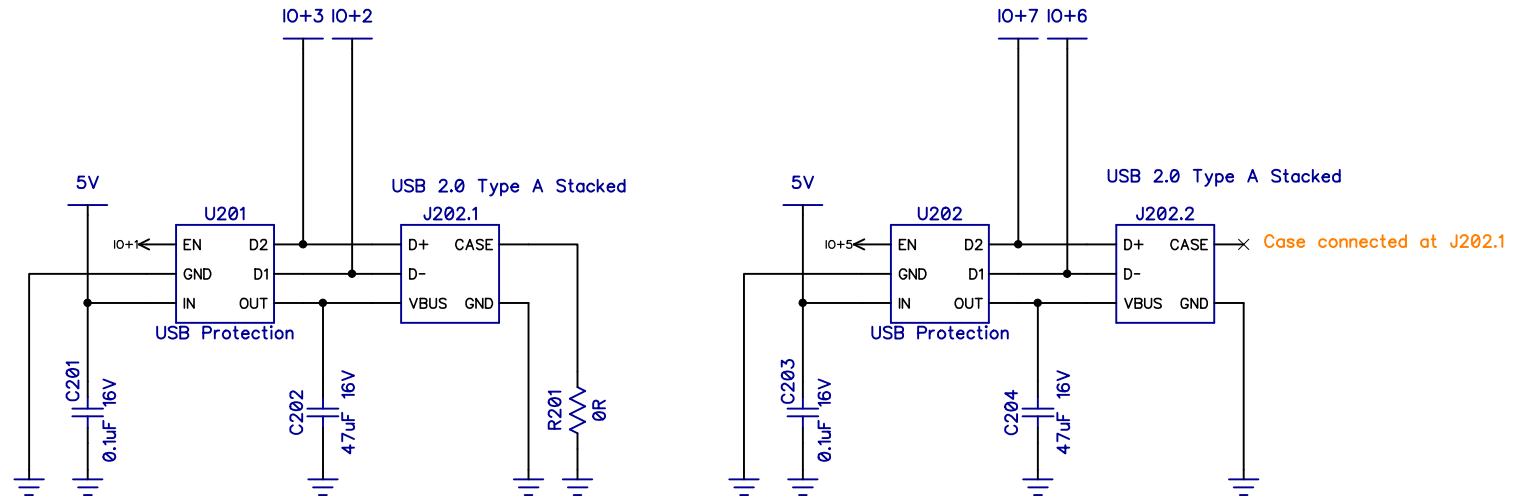
Last Update: 18 Dec 2018 (MM)

Serial Host (Master)

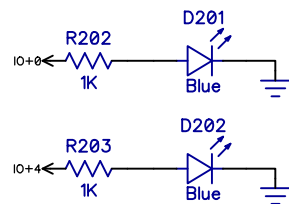
Edge expansion socket



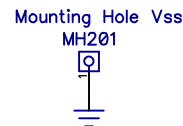
USB master - dual USB socket



Activity LEDs



Mounting holes



Recommend : Set VIO jumper to LDO on P2-EVAL when adjusting the Common Switcher VIO to a lower voltage!

Parallax Inc.
599 Menlo Drive
Rocklin, CA 95765

(916) 624-8333
<http://www.parallax.com/>

Parallax P2X8C4M64P-ES Accessory Set

ENGINEERING SAMPLE - NOT FOR RESALE
PRE-PRODUCTION EVALUATION

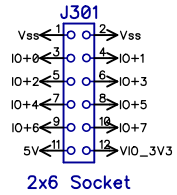
Copyright 2018 Parallax Incorporated. All Rights Reserved.

Part Number: 64006-ES
Revision: A

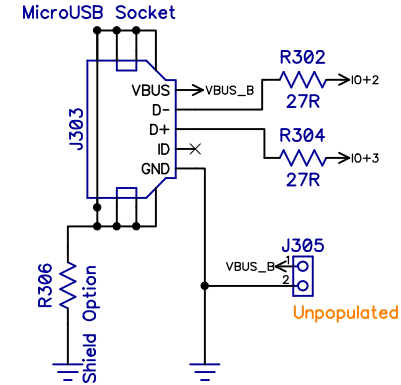
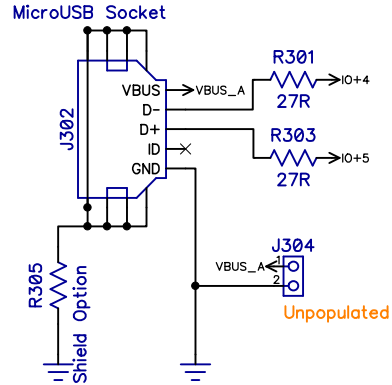
Last Update: 18 Dec 2018 (MM)

Serial Device (Slave)

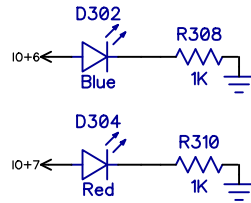
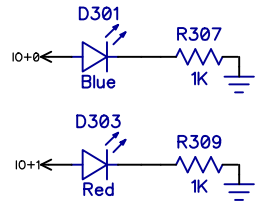
Edge expansion socket



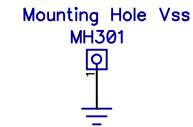
USB slaves



Activity LEDs



Mounting holes



Recommend : Set VIO jumper to LDO on P2-EVAL when adjusting the Common Switcher VIO to a lower voltage!

Parallax Inc.
 599 Menlo Drive
 Rocklin, CA 95765

(916) 624-8333
<http://www.parallax.com/>

Parallax P2X8C4M64P-ES Accessory Set

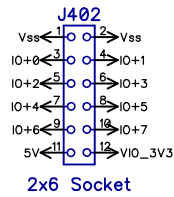
ENGINEERING SAMPLE - NOT FOR RESALE
 PRE-PRODUCTION EVALUATION

Copyright 2018 Parallax Incorporated. All Rights Reserved.

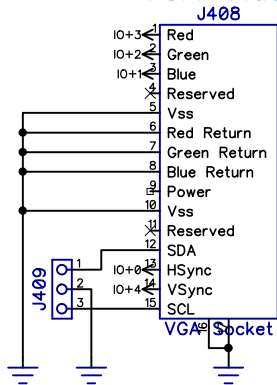
Part Number: 64006-ES
 Revision: A

Last Update: 18 Dec 2018 (MM)

Edge expansion socket

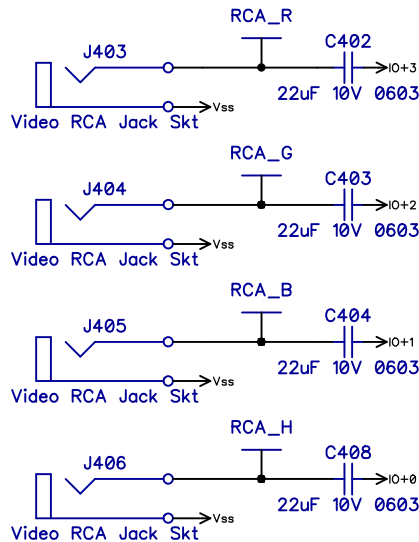


VGA Video

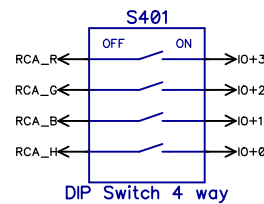


3-pin hdr Unpopulated

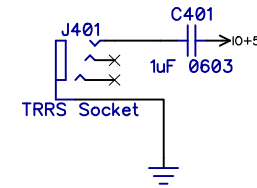
RCA Component Video / Audio



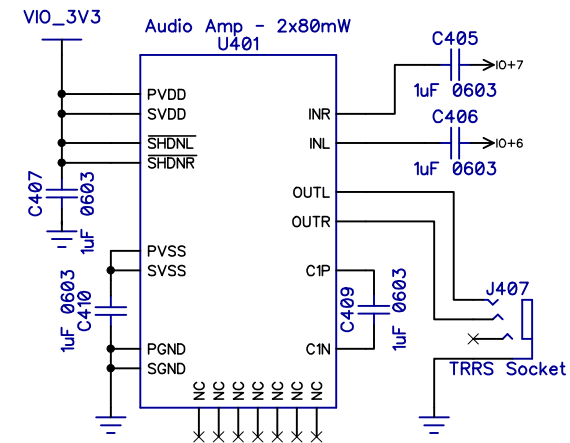
Component Video / Audio Selection



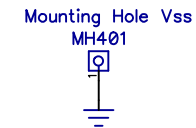
Microphone Socket (Mono 1/8")



Headphone Socket (Stereo 1/8")



Mounting holes



Recommend : Always Set VIO jumper to LDO on P2-EVAL when working with Audio!

Parallax Inc.
599 Menlo Drive
Rocklin, CA 95765

(916) 624-8333
<http://www.parallax.com/>

Parallax P2X8C4M64P-ES Accessory Set

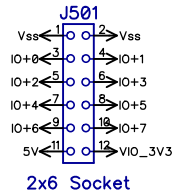
ENGINEERING SAMPLE - NOT FOR RESALE
PRE-PRODUCTION EVALUATION

Copyright 2018 Parallax Incorporated. All Rights Reserved.

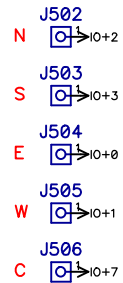
Part Number: 64006-ES
Revision: A

Last Update: 18 Dec 2018 (MM)

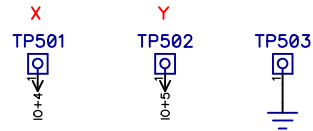
Edge expansion socket



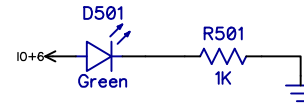
Goertzel Nodes



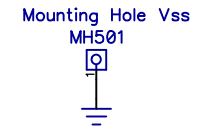
Scope Turrets



Activity LED



Mounting holes



Recommend : Set VIO jumper to LDO on P2-EVAL when adjusting the Common Switcher VIO to a lower voltage!

Parallax Inc.
 599 Menlo Drive
 Rocklin, CA 95765

 (916) 624-8333
<http://www.parallax.com/>

Parallax P2X8C4M64P-ES Accessory Set

ENGINEERING SAMPLE - NOT FOR RESALE
 PRE-PRODUCTION EVALUATION

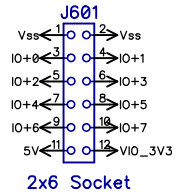
Copyright 2018 Parallax Incorporated. All Rights Reserved.

Part Number: 64006-ES
 Revision: A

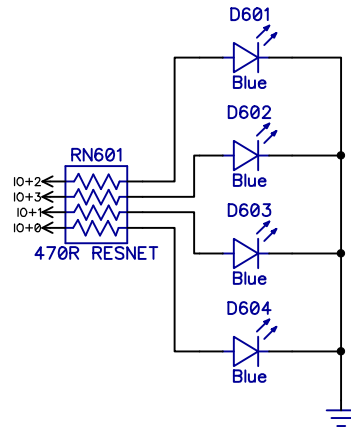
Last Update: 18 Dec 2018 (MM)

Control

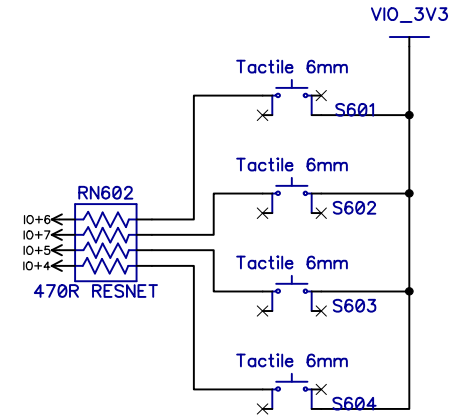
Edge expansion socket



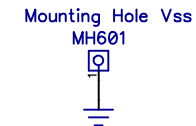
LEDs



Pushbutton switches



Mounting hole



Recommend : Set VIO jumper to LDO on P2-EVAL when adjusting the Common Switcher VIO to a lower voltage!

Parallax Inc.
 599 Menlo Drive
 Rocklin, CA 95765

(916) 624-8333
<http://www.parallax.com/>

Parallax P2X8C4M64P-ES Accessory Set

ENGINEERING SAMPLE - NOT FOR RESALE
 PRE-PRODUCTION EVALUATION

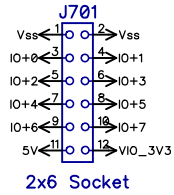
Copyright 2018 Parallax Incorporated. All Rights Reserved.

Part Number: 64006-ES
 Revision: A

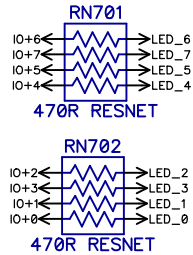
Last Update: 18 Dec 2018 (MM)

LED Matrix

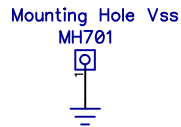
Edge expansion socket



LED Resistors



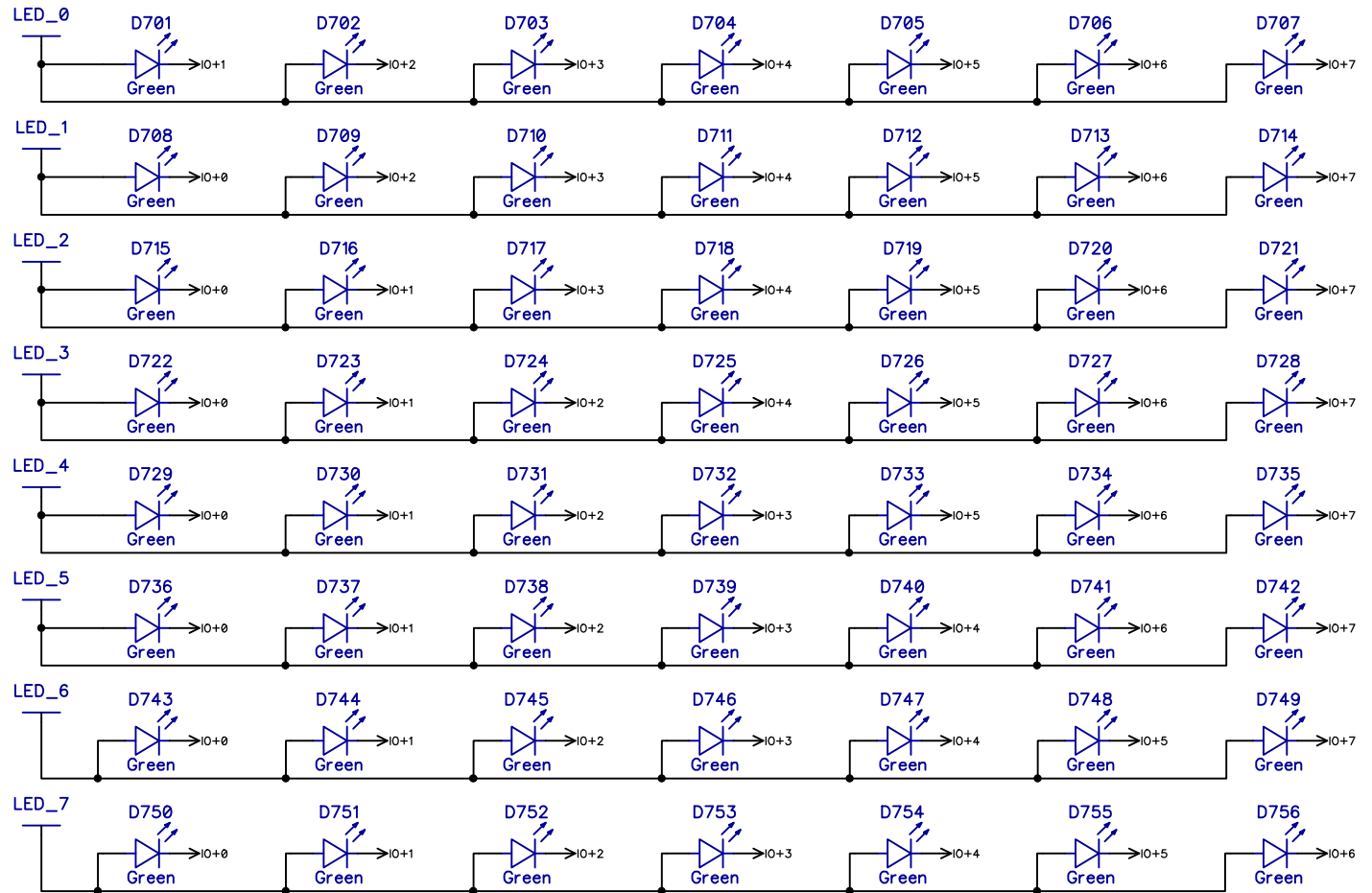
Mounting hole



LEDs

Charlieplex: 8 IO's = 56 LED's (8 x 8-1)

Green LED's chosen, as lowest Luminosity by large margin (eye protection!)



Recommend : Set VIO jumper to LDO on P2-EVAL when adjusting the Common Switcher VIO to a lower voltage!

Parallax Inc.
 599 Menlo Drive
 Rocklin, CA 95765

(916) 624-8333
<http://www.parallax.com/>

Parallax P2X8C4M64P-ES Accessory Set

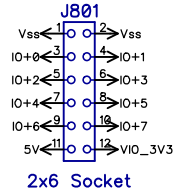
ENGINEERING SAMPLE - NOT FOR RESALE
 PRE-PRODUCTION EVALUATION

Copyright 2018 Parallax Incorporated. All Rights Reserved.

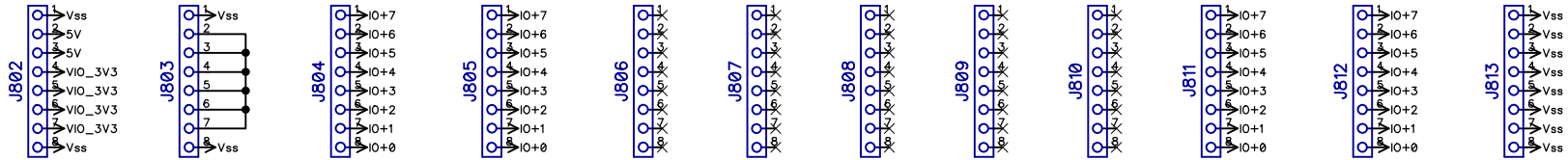
Part Number: 64006-ES
 Revision: A

Last Update: 18 Dec 2018 (MM)

Edge expansion socket



Edge expansion socket



Parallax Inc.
 599 Menlo Drive
 Rocklin, CA 95765

(916) 624-8333
<http://www.parallax.com/>

Parallax P2X8C4M64P-ES Accessory Set

ENGINEERING SAMPLE - NOT FOR RESALE
 PRE-PRODUCTION EVALUATION

Copyright 2018 Parallax Incorporated. All Rights Reserved.

Part Number: 64006-ES
 Revision: A

Last Update: 18 Dec 2018 (MM)