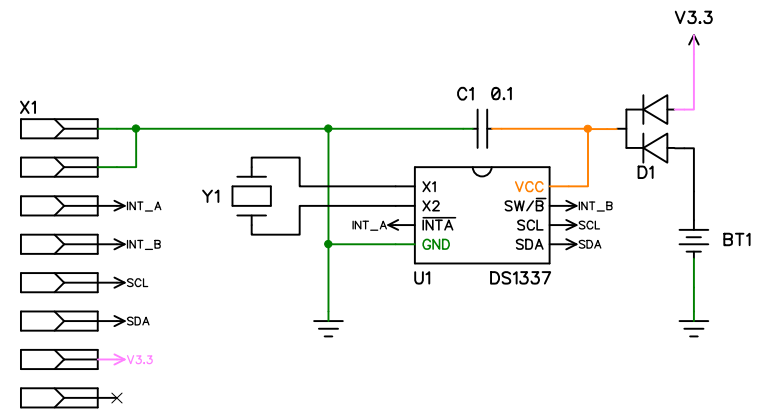


2

1



RefDes	Value	Type	Qty	Digikey
BT1	3v	12mm CLIP	1	BAT-HLD-012-SMT-ND
C1	0.1	CAP_0603	1	445-1325-1-ND
D1	0.7v	SOT-23	1	568-1623-2-ND
U1	DS1337	SOIC-8	1	DS1337S+-ND
X1	0.1	F_HDR-8x1	1	929850-01-08-ND
Y1	32.678kHz	SOJ-4	1	300-8739-1-ND
			7	

EFX-TEK HC-8+ RTC Adapter		
Size	Number	Rev
	hc8_rtc__2015-02-07.dch	A3
Date: 07 FEB 2015		Drawn by JM
		Sheet 1 of 1

2

1

B

B

A

A